

Customer Information Sheet

DRAWING No.: M80-MCXXX68MI-XXXXL

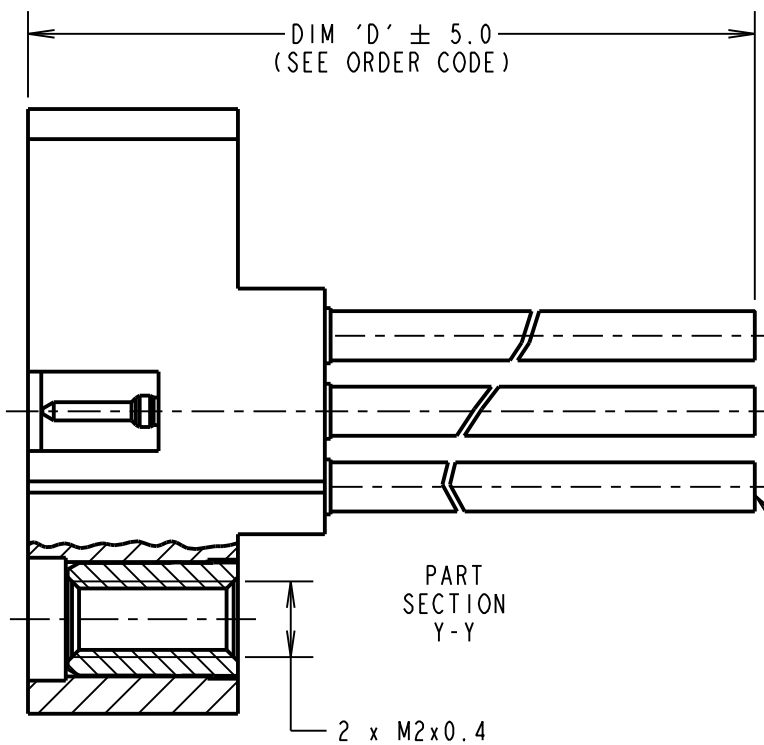
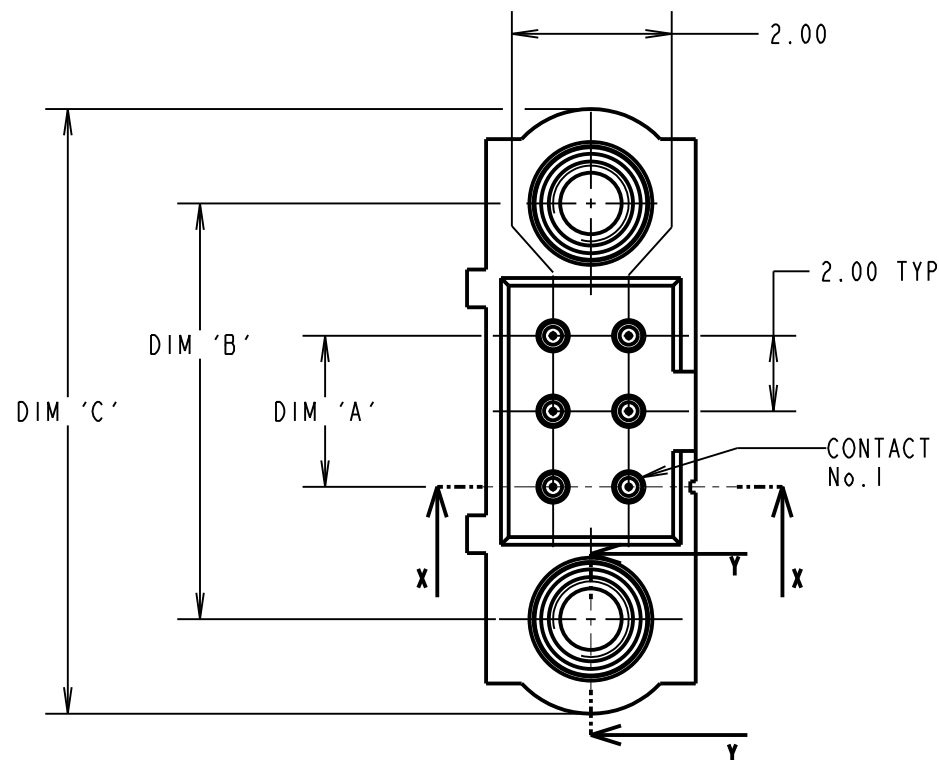
IF IN DOUBT - ASK

©

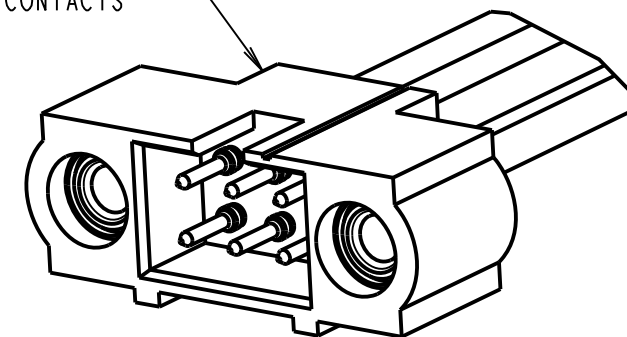
NOT TO SCALE

THIRD ANGLE PROJECTION

ALL DIMENSIONS IN mm



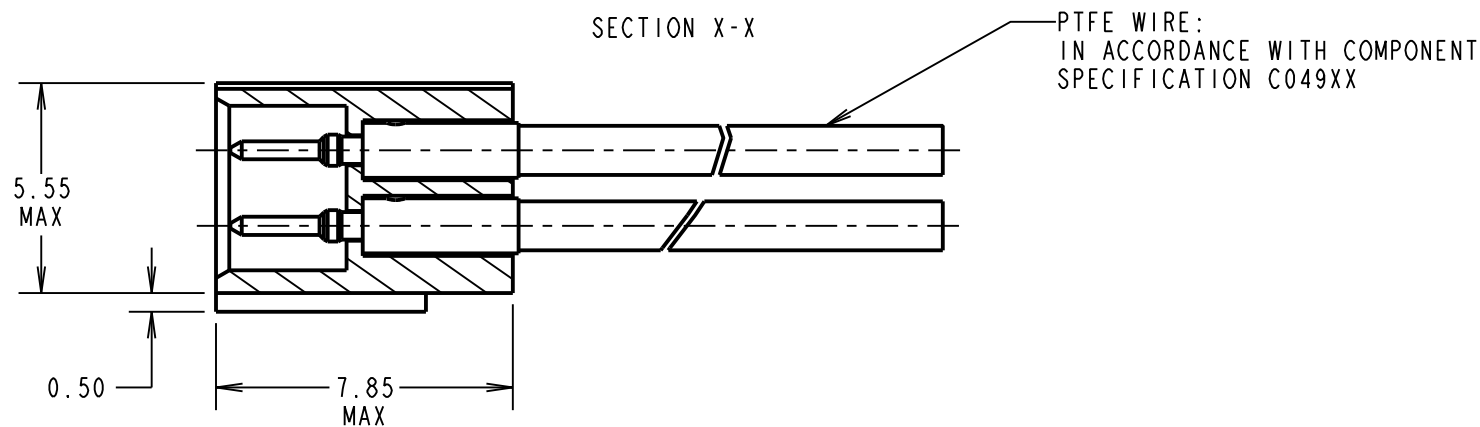
FEMALE MOULDING (1-OFF):
SEE ORDER CODE FOR
TOTAL No. OF CONTACTS



END AS CUT

CONTACT No.	WIRE COLOUR
1	BLACK
2	BROWN
3	RED
4	ORANGE
5	YELLOW
6	GREEN
7	BLUE
8	VIOLET
9	GREY
10	WHITE

WIRE COLOURS REPEAT IN ABOVE ORDER FOR ASSEMBLIES OVER 10 CONTACTS



- NOTES:
- CABLE ASSEMBLIES WILL BE BULK PACKED IN BAGS.
 - FOR COMPLETE SPECIFICATION, SEE COMPONENT SPECIFICATION C005XX (LATEST ISSUE) AND C049XX (LATEST ISSUE).

DIMENSION	MEASUREMENT
DIM 'A'	TOTAL No. OF CONTACTS - 2.0
DIM 'B'	TOTAL No. OF CONTACTS + 5.0
DIM 'C'	TOTAL No. OF CONTACTS + 10.0

EXAMPLE PART No. :
 10 CONTACT CONNECTOR WITH 150mm OF 22AWG WIRE = M80-MC11068MI-0150L
 50 CONTACT CONNECTOR WITH 150mm OF 24AWG WIRE = M80-MC25068MI-0150L

ORDER CODE:
M80-MCXXX68MI-XXXXL

- WIRE AWG: _____
- 1 = 22AWG (LARGE BORE)
 - 2 = 24AWG (SMALL BORE)
 - 3 = 26AWG (SMALL BORE)
 - 4 = 28AWG (SMALL BORE)

DIM 'D' LENGTH:
 0060 = 60mm MIN
 9999 = 9999mm MAX
 (SEE TABLE FOR EXAMPLES)

TOTAL No. OF CONTACTS: _____
 04 TO 50
 (EVEN NUMBERS ONLY)

RTP	2	31.03.21	30101
NAME	ISS.	DATE	CN/CO
APPROVED:		R.PORTLOCK	
CHECKED:		M.PLESTED	
DRAWN:		R.ALEXANDER	
CUSTOMER REF.:			
ASSEMBLY DRG:			

HARWIN

www.harwin.com
technical@harwin.com

THIS DRAWING AND ANY INFORMATION OR DESCRIPTIVE MATTER SET OUT HEREON ARE CONFIDENTIAL AND COPYRIGHT PROPERTY OF THE HARWIN GROUP AND MUST NOT BE DISCLOSED, LOANED, COPIED OR USED FOR MANUFACTURING, TENDERING OR FOR ANY OTHER PURPOSE WITHOUT THEIR WRITTEN PERMISSION.

TOLERANCES
 X. = ±1mm
 X.X = ±0.50mm
 X.XX = ±0.20mm
 X.XXX = ±0.01mm
 ANGLES = ±5°
 UNLESS STATED

MATERIAL:
SEE ABOVE
 FINISH: SEE ABOVE
 S/AREA: mm²

TITLE: M80 MALE CONTACT SINGLE-ENDED CABLE ASSEMBLY WITH JACKSCREW NUT

DRAWING NUMBER:
M80-MCXXX68MI-XXXXL

SHT 2 OF 2