

# Customer Information Sheet

DRAWING No.: G125-MHX0805M3-IADIADP

IF IN DOUBT - ASK

©

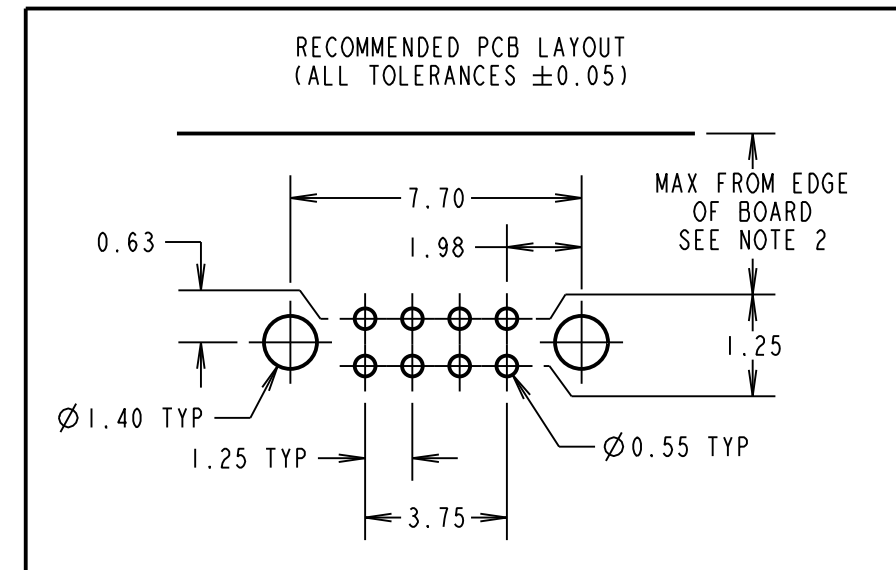
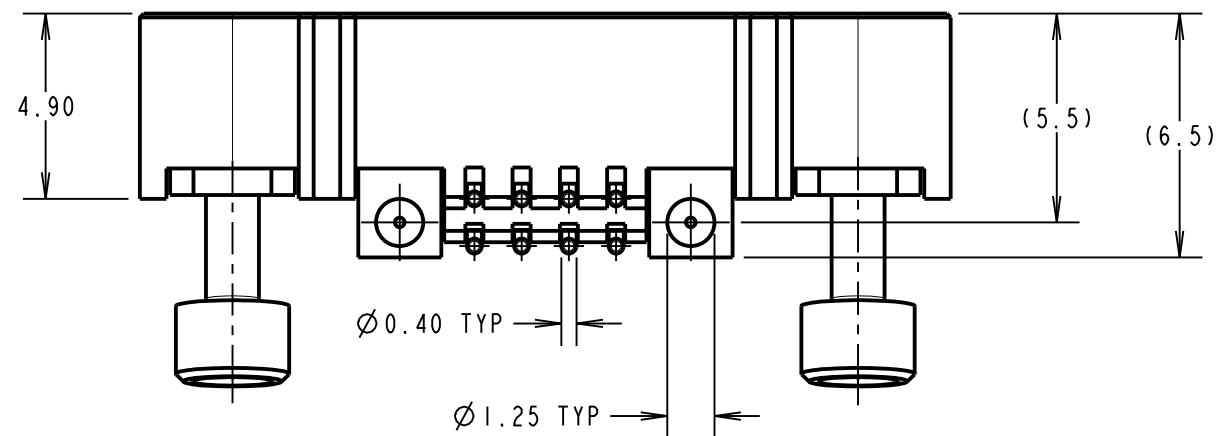
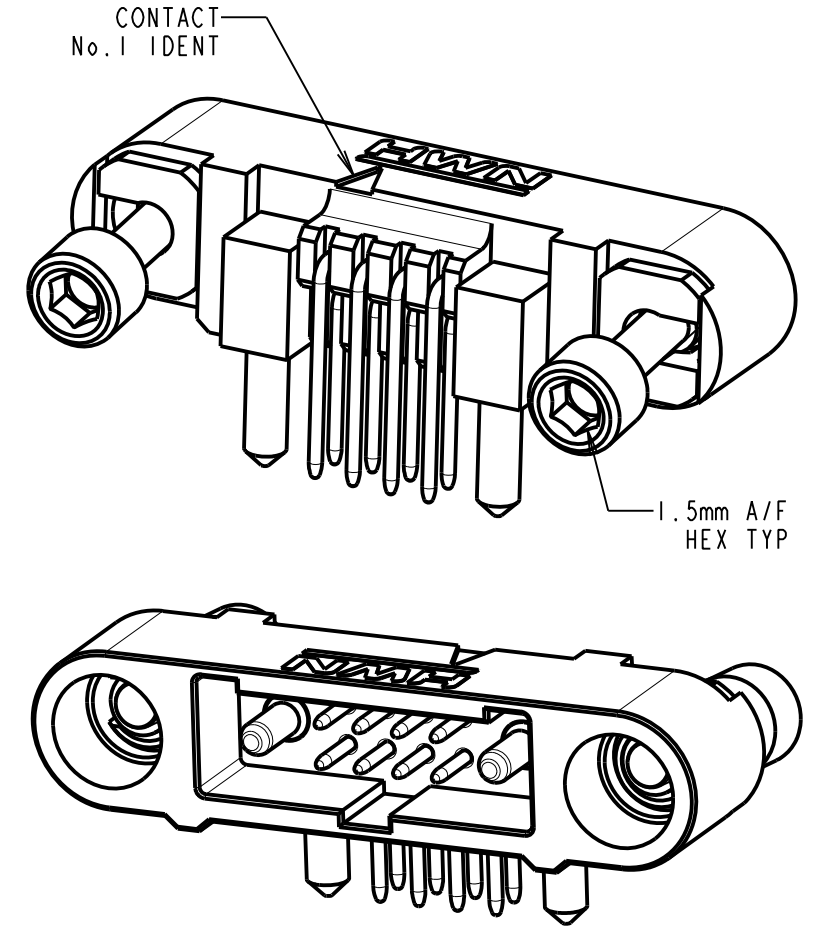
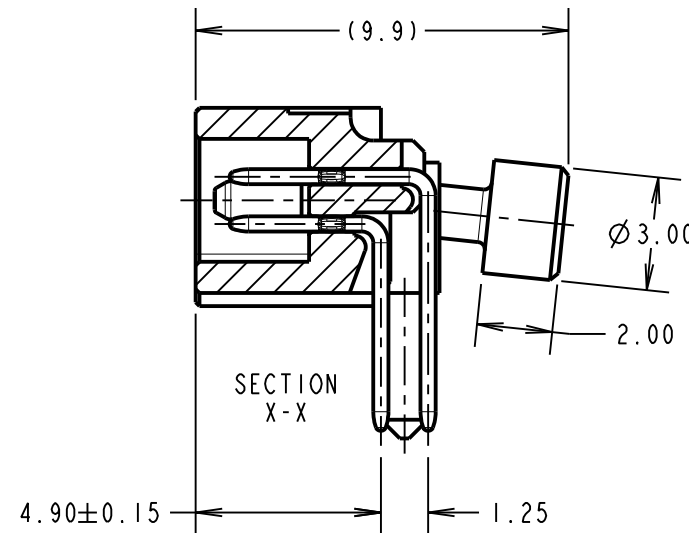
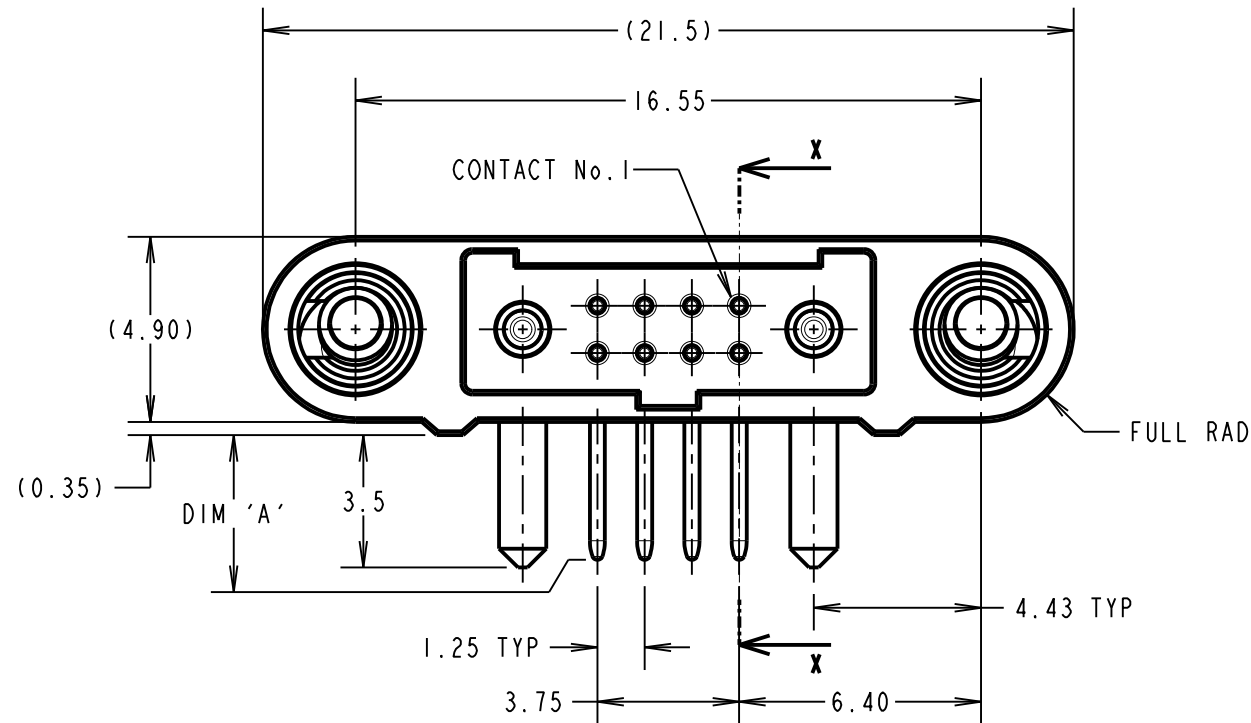
NOT TO SCALE

THIRD ANGLE PROJECTION

ALL DIMENSIONS IN mm

ASSEMBLY P/No.	DIM 'A'
G125-MHX0805M3-IADIADP	3.3±0.15

ORDER CODE:  
**G125-MHX0805M3-IADIADP**  
 3.30mm PC-TAILS = HI



CONNECTOR AND PCB LAYOUT DETAILS ONLY  
 SEE SHEET 4 FOR TAPE STRIP DETAILS

- NOTES:
- FOR MATERIALS, FINISH AND SPECIFICATIONS SEE GECKO SERIES SPECIFICATION SUMMARY SHEET OR COMPONENT SPECIFICATION C125XX (LATEST ISSUE) FOR FULL SPECIFICATION.
  - MAX DISTANCE OF NEAR SIDE CONTACTS TO BOARD EDGE WHEN MATED WITH:
    - UNSHIELDED CABLE: 4.90mm
    - SHIELDED CABLE : 2.75mm

RA	3	21.10.21	30973
NAME	ISS.	DATE	CN/CO
APPROVED: R.ALEXANDER			
CHECKED: R.PORTLOCK			
DRAWN: MARK G PLESTED			
CUSTOMER REF.:			
ASSEMBLY DRG:			



**HARWIN**

www.harwin.com  
 technical@harwin.com

THIS DRAWING AND ANY INFORMATION OR DESCRIPTIVE MATTER SET OUT HEREON ARE CONFIDENTIAL AND COPYRIGHT PROPERTY OF THE HARWIN GROUP AND MUST NOT BE DISCLOSED, LOANED, COPIED OR USED FOR MANUFACTURING, TENDERING OR FOR ANY OTHER PURPOSE WITHOUT THEIR WRITTEN PERMISSION.

TOLERANCES  
 X. = ±1mm  
 X.X = ±0.50mm  
 X.XX = ±0.20mm  
 X.XXX = ±0.01mm  
 ANGLES = ±5°  
 UNLESS STATED

MATERIAL: SEE ABOVE  
 FINISH: SEE ABOVE  
 S/AREA: mm<sup>2</sup>

TITLE:  
 G125 MT SERIES MALE HORIZONTAL PC TAIL CONNECTOR

DRAWING NUMBER:  
**G125-MHX0805M3-IADIADP** 3 OF 4

# Customer Information Sheet

DRAWING No.: G125-MHX0805M3-IADIADP

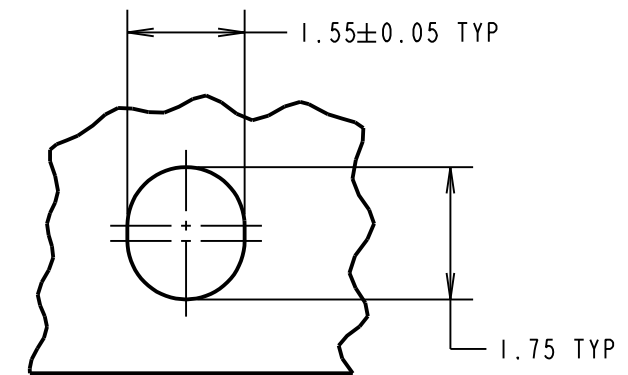
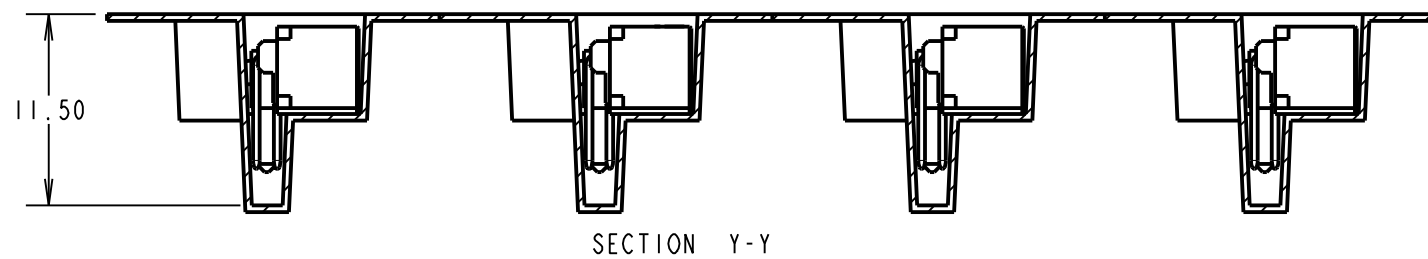
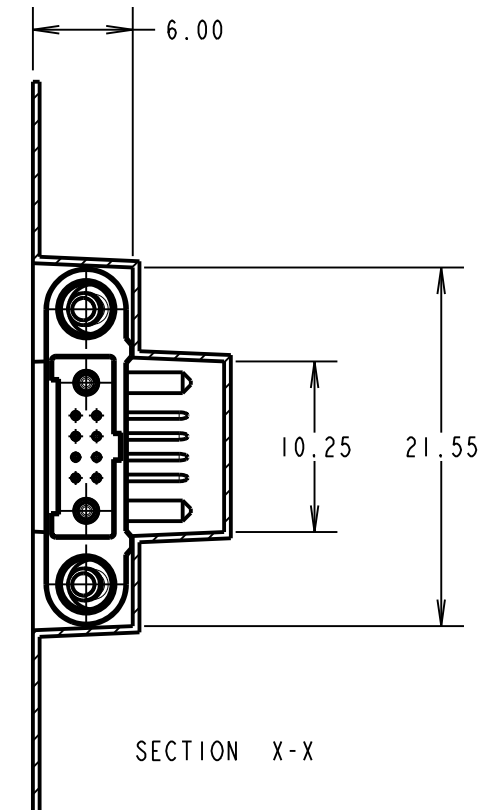
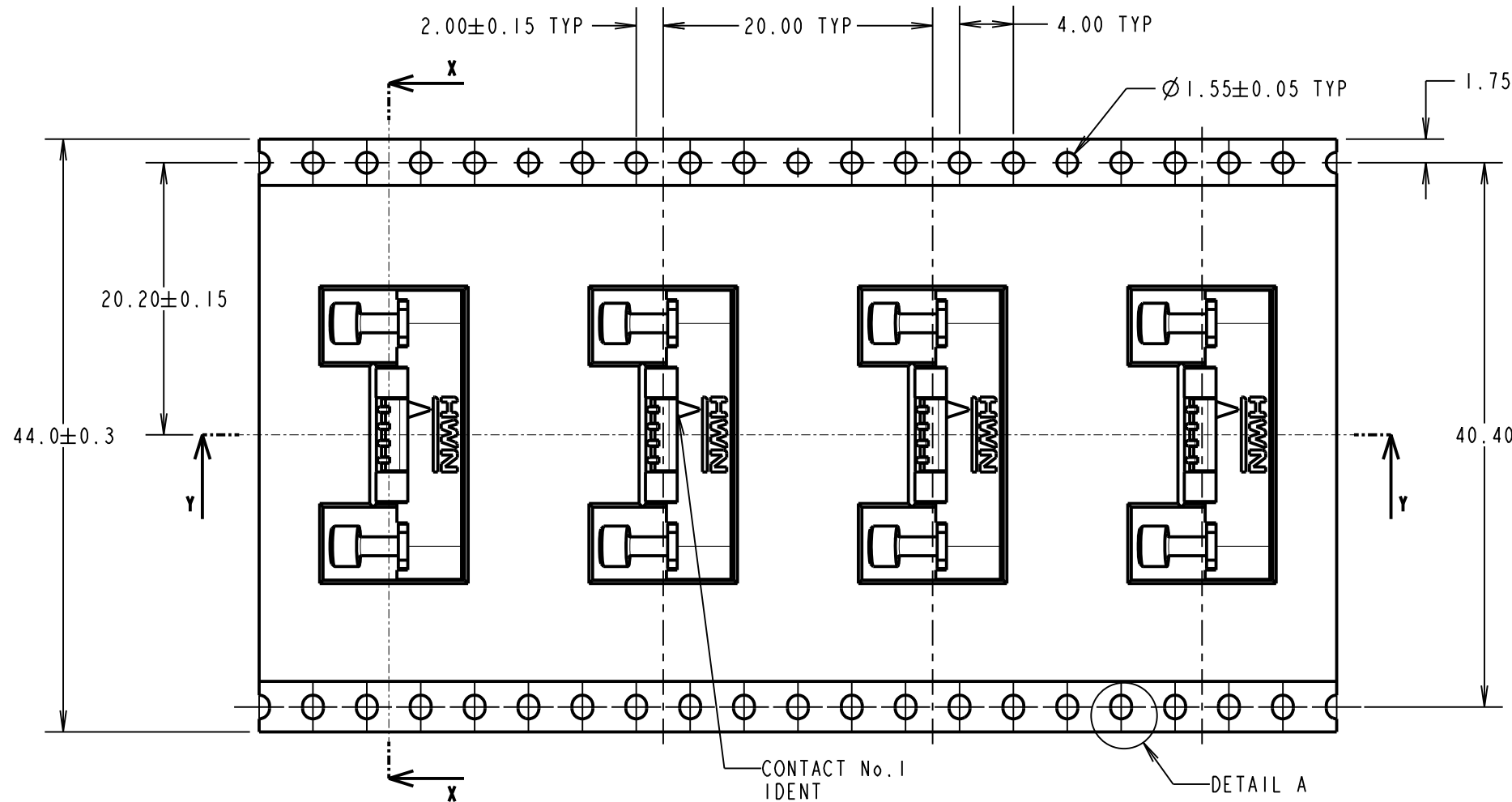
IF IN DOUBT - ASK

©

NOT TO SCALE

THIRD ANGLE PROJECTION

ALL DIMENSIONS IN mm



DETAIL A  
(SCALE 10)

**TAPE STRIP DETAILS ONLY, SEE SHEET 3 FOR CONNECTOR AND PCB LAYOUT DETAILS**

**NOTES:**

3. COMPONENTS ARE ORIENTATED IN TAPE POCKETS AS SHOWN.
4. COMPONENTS ARE SUPPLIED IN STRIPS OF TAPE. SUPPLIED QUANTITY MAY CONSIST OF MORE THAN ONE STRIP. STRIP LENGTH MAY VARY.
5. LARGE QTY'S MAY BE SHIPPED ON A REEL AND MAY NOT HAVE A LEADER.
6. FOR PARTS ON REEL SUITABLE FOR AUTOMATIC MACHINE PLACEMENT PLEASE ORDER: G125-MHX0805M3-IADIADR.

RA	3	21.10.21	30973
NAME	ISS.	DATE	CN/CO
APPROVED: R.ALEXANDER			
CHECKED: R.PORTLOCK			
DRAWN: MARK G PLESTED			
CUSTOMER REF.:			
ASSEMBLY DRG:			

**HARWIN**

www.harwin.com  
technical@harwin.com

THIS DRAWING AND ANY INFORMATION OR DESCRIPTIVE MATTER SET OUT HEREON ARE CONFIDENTIAL AND COPYRIGHT PROPERTY OF THE HARWIN GROUP AND MUST NOT BE DISCLOSED, LOANED, COPIED OR USED FOR MANUFACTURING, TENDERING OR FOR ANY OTHER PURPOSE WITHOUT THEIR WRITTEN PERMISSION.

**TOLERANCES**  
X. =  $\pm 1$ mm  
X.X =  $\pm 0.50$ mm  
X.XX =  $\pm 0.20$ mm  
X.XXX =  $\pm 0.01$ mm  
**ANGLES =  $\pm 5^\circ$**   
**UNLESS STATED**

**MATERIAL:**  
SEE ABOVE  
**FINISH:** SEE ABOVE  
**S/AREA:** mm<sup>2</sup>

**TITLE:**  
G125 MT SERIES MALE  
HORIZONTAL PC TAIL CONNECTOR  
**DRAWING NUMBER:**  
G125-MHX0805M3-IADIADP  
**SHT** 4 OF 4