

Customer Information Sheet

IF IN DOUBT - ASK

©

NOT TO SCALE

THIRD ANGLE PROJECTION

ALL DIMENSIONS IN mm

ORDER CODE:

F11-20XXXX42R

HEIGHT:
SEE TABLE 1

NUMBER OF CONTACTS:
020, 040, 060, 080, 100, 120

TABLE 1: VARIANTS

PART No.	CONNECTOR HEIGHT DIM 'F'	DIM 'G'
F11-200XXX42R	13.20	8.20
F11-201XXX42R	18.20	13.20

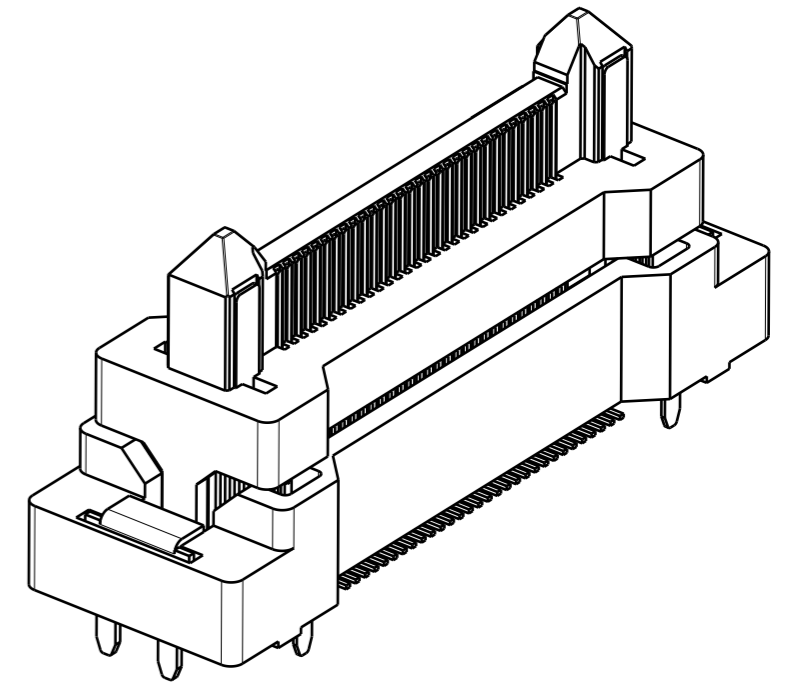
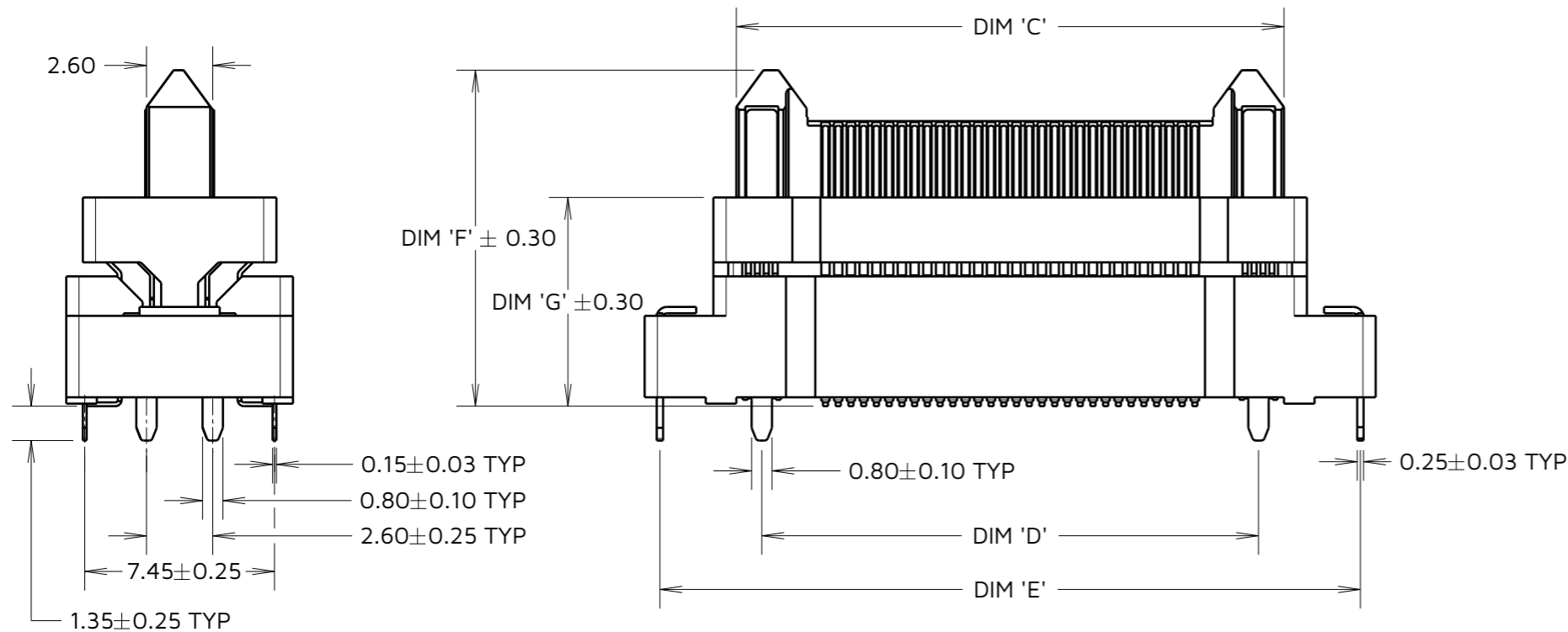
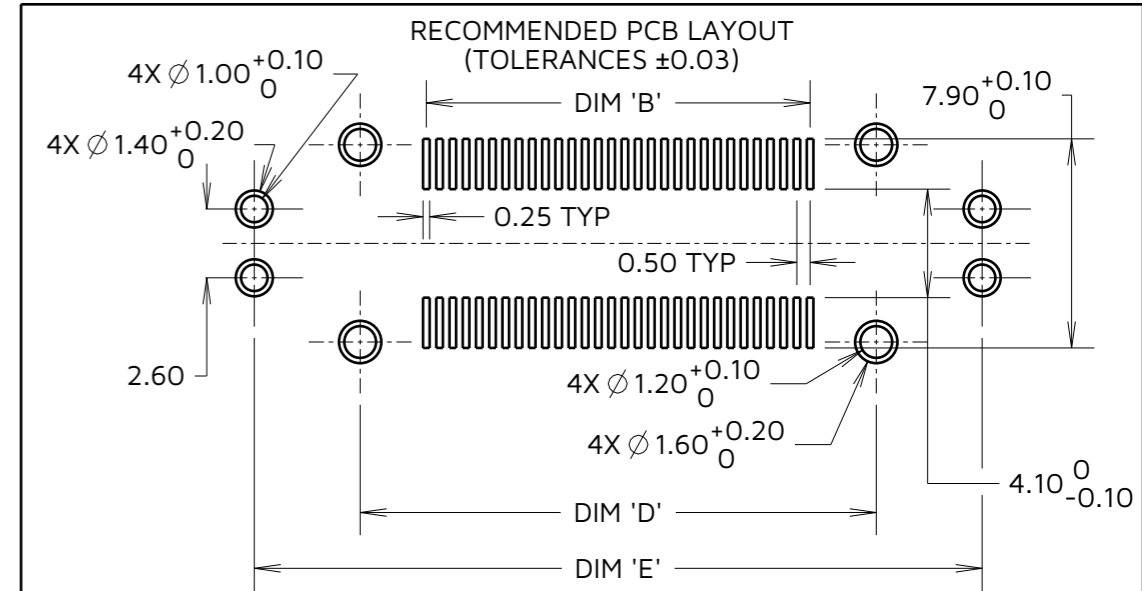
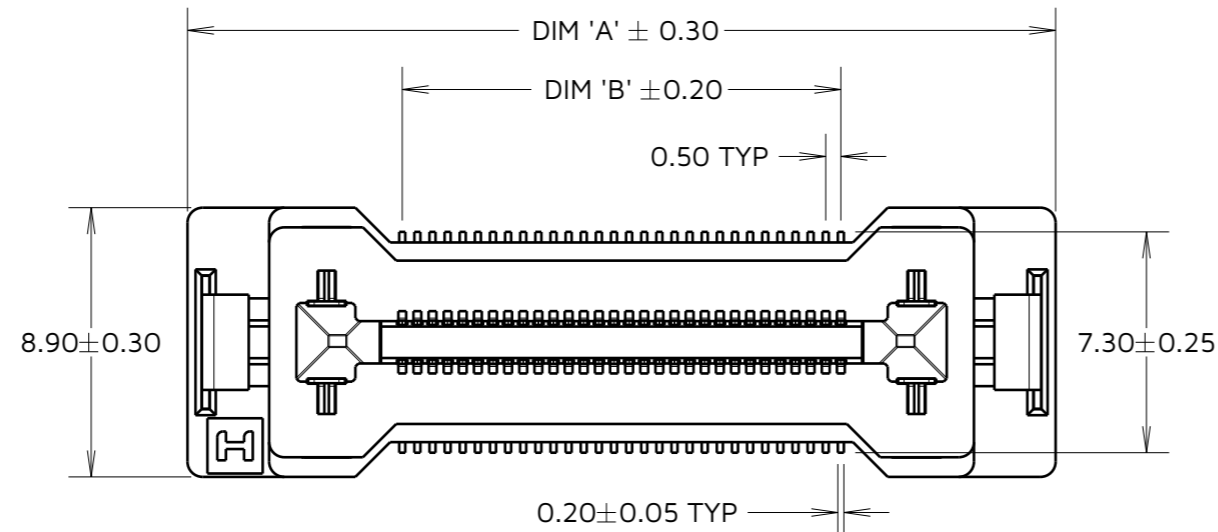


TABLE 2: DIMENSIONS

No. OF CONTACTS	DIM 'A'	DIM 'B'	DIM 'C'	DIM 'D'	DIM 'E'
20	18.70	4.50	11.50	9.50	17.50
40	23.70	9.50	16.50	14.50	22.50
60	28.70	14.50	21.50	19.50	27.50
80	33.70	19.50	26.50	24.50	32.50
100	38.70	24.50	31.50	29.50	37.50
120	43.70	29.50	36.50	34.50	42.50

TOLERANCES

X. = ±0.30mm	X.° = ±5.0°
.X = ±0.25mm	.X° = ±3.0°
.XX = ±0.15mm	.XX° = ±2.0°
.XXX = ±0.10mm	.XXX° = ±1.0°

JD	3	30.08.24	34146
NAME	ISS.	DATE	CN/CO
APPROVED: J.DEAN			
CHECKED: A.BOXALL			
DRAWN: A.BOXALL			

NOTES:

- SEE COMPONENT SPECIFICATION C057XX (LATEST ISSUE) FOR COMPLETE CONNECTOR SPECIFICATIONS.
- PART SHOWN IS F11-20006042R, SEE ORDER CODE FOR POSSIBLE CONFIGURATIONS.
- SEE SHEET 4 FOR TAPE & REEL DETAILS.

HARWIN

www.harwin.com

TOLERANCES
X. = ±1mm
X.X = ±0.50mm
X.XX = ±0.20mm
X.XXX = ±0.01mm
ANGLES = ±5°
UNLESS STATED

THIS DRAWING AND ANY INFORMATION OR DESCRIPTIVE MATTER SET OUT HEREON ARE CONFIDENTIAL AND COPYRIGHT PROPERTY OF THE HARWIN GROUP AND MUST NOT BE DISCLOSED, LOANED, COPIED OR USED FOR MANUFACTURING, TENDERING OR FOR ANY OTHER PURPOSE WITHOUT THEIR WRITTEN PERMISSION.

MATERIAL:

SEE NOTE 1

TITLE: **0.5mm PITCH MALE FLECTO CONNECTOR SIGNAL + POWER CONTACTS**

DRAWING NUMBER: **F11-20XXXX42R**

SHT 3 OF 4

Customer Information Sheet

IF IN DOUBT - ASK

©

NOT TO SCALE

THIRD ANGLE PROJECTION

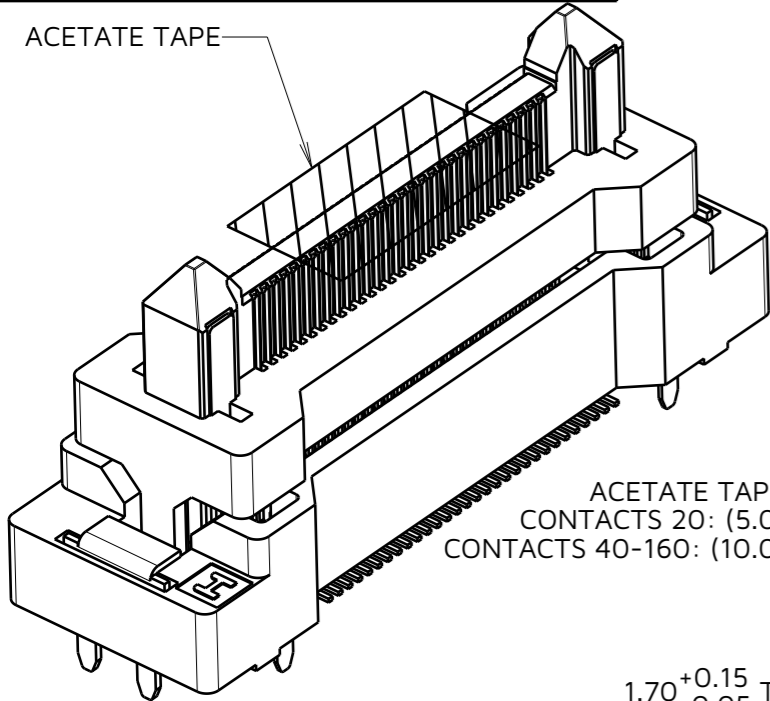
ALL DIMENSIONS IN mm

ORDER CODE:

F11-20XXXX42R

HEIGHT:
SEE TABLE 1 ON SHEET 3

NUMBER OF CONTACTS:
020, 040, 060, 080, 100, 120



ACETATE TAPE

ACETATE TAPE
CONTACTS 20: (5.0)
CONTACTS 40-160: (10.0)

$\varnothing 1.50^{+0.10}_0$ TYP

4.00 TYP

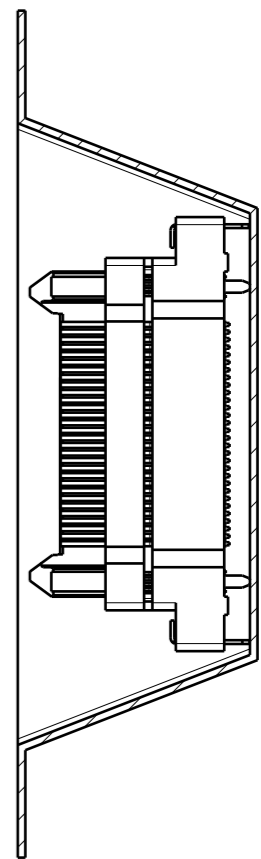
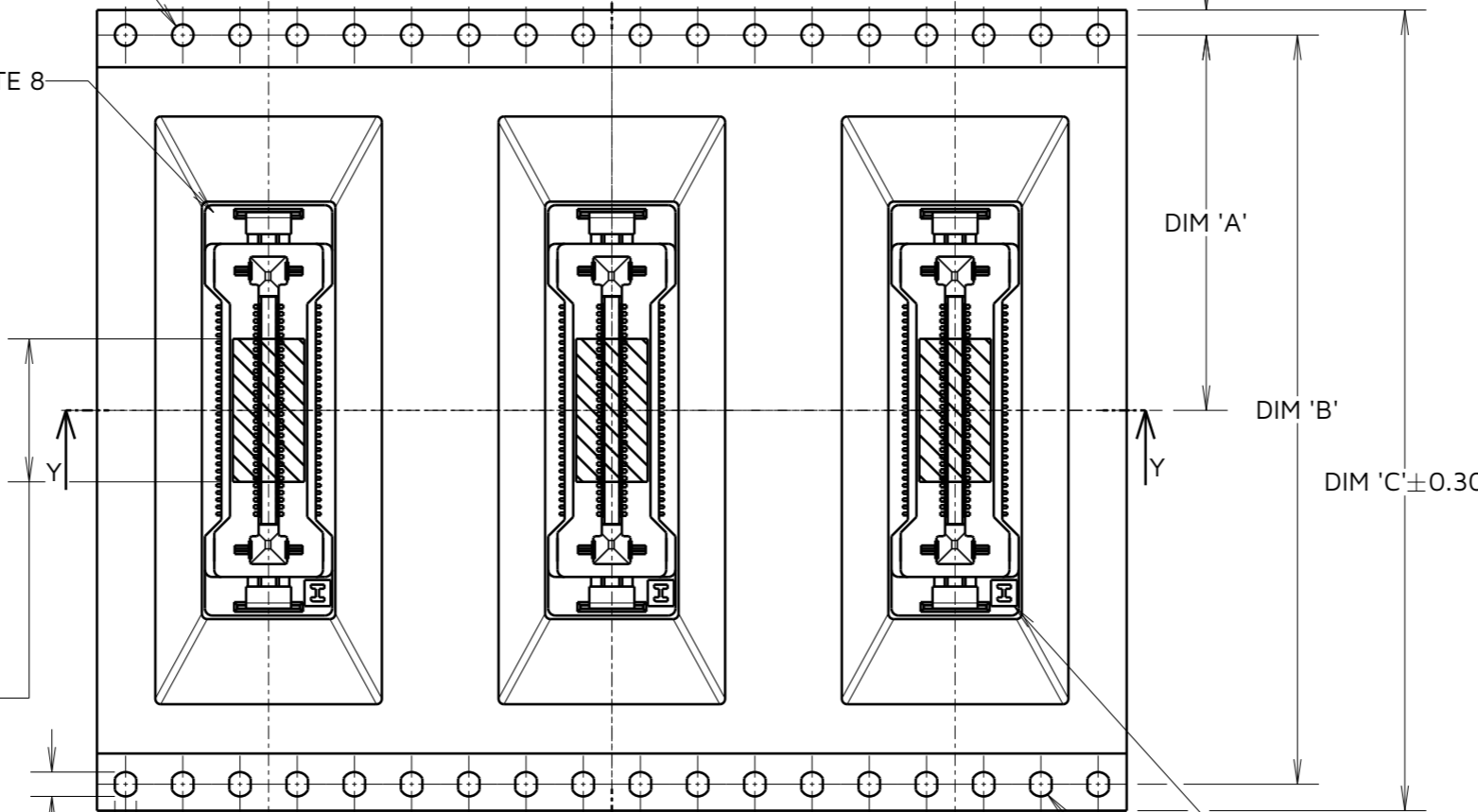
24.00 TYP

2.00 TYP

1.75

0.50 ± 0.05

SEE NOTE 8



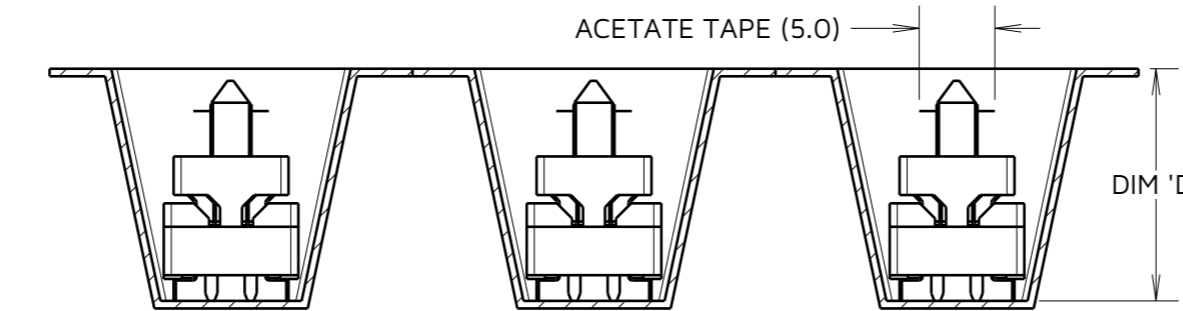
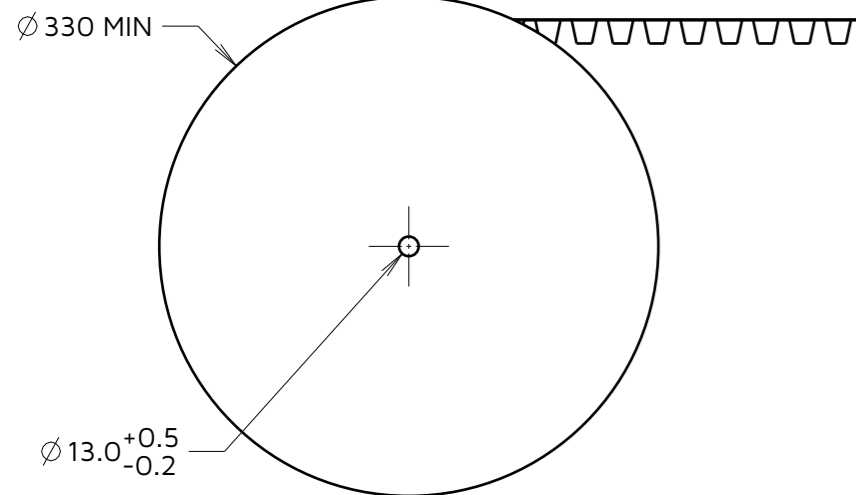
SECTION X-X

$1.70^{+0.15}_{-0.05}$ TYP

$1.50^{+0.10}_0$ TYP

ELONGATED SPROCKET HOLES

SEE NOTE 8



SECTION Y-Y

ACETATE TAPE (5.0)

DIM 'D'

REEL DIRECTION



ELONGATED SPROCKET HOLES

TABLE 4: VARIANTS

PART No.	POCKET DEPTH DIM 'E'	QTY PER REEL
F11-200XXX42R	15.35	150PCS
F11-201XXX42R	20.35	100PCS

TABLE 3: DIMENSIONS

PART No.	DIM 'A'	DIM 'B'	DIM 'C'	DIM 'D'
F11-20002042R	20.20	40.40	44.00	19.20
F11-20004042R				24.20
F11-20006042R	26.20	52.40	56.00	29.20
F11-20008042R				34.20
F11-20010042R	34.20	68.40	72.00	39.20
F11-20012042R				44.23
F11-20102042R	20.20	40.40	44.00	19.20
F11-20104042R	26.20	52.40	56.00	24.20
F11-20106042R				29.20
F11-20108042R	34.20	68.40	72.00	34.20
F11-20110042R				39.20
F11-20112042R	44.20			

JD	3	30.08.24	34146
NAME	ISS.	DATE	CN/CO
APPROVED: J.DEAN			
CHECKED: A.BOXALL			
DRAWN: A.BOXALL			

NOTES:

- PRODUCT TAPE AND REELED IN ACCORDANCE WITH EIA-481 STANDARD.
- CARRIER TAPE MATERIAL: BLACK POLYSTYRENE.
- TAPE POCKETS MAY DIFFER VISUALLY FROM DRAWING.
- SEE TABLE 4 FOR QUANTITY PER REEL.
- POSITION OF HARWIN LOGO IS NOT CRITICAL AND MAY BE IN EITHER MARKED POSITION.

HARWIN

www.harwin.com

TOLERANCES

- X = ±1mm
- X.X = ±0.50mm
- X.XX = ±0.20mm
- X.XXX = ±0.01mm
- ANGLES = ±5°
- UNLESS STATED

THIS DRAWING AND ANY INFORMATION OR DESCRIPTIVE MATTER SET OUT HEREON ARE CONFIDENTIAL AND COPYRIGHT PROPERTY OF THE HARWIN GROUP AND MUST NOT BE DISCLOSED, LOANED, COPIED OR USED FOR MANUFACTURING, TENDERING OR FOR ANY OTHER PURPOSE WITHOUT THEIR WRITTEN PERMISSION.

MATERIAL:

SEE NOTE 5

TITLE:

0.5mm PITCH MALE FLECTO CONNECTOR SIGNAL + POWER CONTACTS

DRAWING NUMBER:

F11-20XXXX42R