

Datamate J-Tek Jackscrew List – March 2022



FOR USE ON FEMALE CONNECTORS – 2-Row (M80)				
Code	3D image	2D dimensions	Description	Mating Male jackscrew Code
00			No jackscrew assembled	00 (or M2/M3/M5/M7/MF/MG/MH/MN/MQ for board mount)
F1			Hexagonal Slotted Jackscrew (floating)	M1, M2, M3, M5, M7, MF, MG, MH, MN, MQ
F2			Hexagonal Socket Jackscrew (floating)	M1, M2, M3, M5, M7, MF, MG, MH, MN, MQ
F3			Ø1.4mm Guide Pin with 5mm Board Mount (round slotted nut)	00, M1, M2, M3, M5, M7, MF, MG, MH, ML, MN, MP, MQ
F8 or F9			Reverse Fix Jackscrew with slotted nut F8 = 3.5mm stud F9 = 5mm stud	MA, MB
FB			Hexagonal Socket Jackscrew (floating) with Guide Pin	M1
FC			Slotted head Note: Cable only, see FD for PCB version	MC, MD, ME

Datamate J-Tek Jackscrew List – March 2022



FOR USE ON FEMALE CONNECTORS – 2-Row (M80) – continued				
J/S Code	3D image	2D dimensions	Description	Mates with Male jackscrews:
FD			 Slotted head <i>Note: PCB only, see FC for Cable version</i>	MC, MD, ME
FH			Ø1.4mm Guide Pin with 5mm Board Mount (hex nut)	00, M1, M2, M3, M5, M7, MF, MG, MH, ML, MN, MP, MQ
FJ			Ø1.4mm Guide Pin with 6mm Board Mount (round slotted nut)	00, M1, M2, M3, M5, M7, MF, MG, MH, ML, MN, MP, MQ
FN			Ø1.5mm Guide Pin with 6.2mm Panel Mount (floating), sleeved nut	00, ML, MP
FP			Ø1.5mm Guide Pin with 5mm Panel Mount (floating), slotted nut	00, MP
FR			 Hex socket head MC, MD, ME	MC, MD, ME

Datamate J-Tek Jackscrew List – March 2022



FOR USE ON MALE CONNECTORS – 2-Row (M80)				
J/S Code	3D image	2D dimensions	Description	Mates with Female jackscrews:
00			No jackscrew assembled	00 (or F3/FH/FJ/FN/FP for board mount)
M1			Jackscrew fixing only, no board mount	F1, F2, F3, FB, FH, FJ
M2 or M3			Jackscrew with Vertical Board Mount stud, slotted nut M2 = 3.5mm stud M3 = 5mm stud	00, F1, F2, F3, FH
M5 or M7			Jackscrew with Horizontal Board Mount, 5mm bolt M5 = slotted head M7 = hex socket head	00, F1, F2, F3, FH
MA or MB			Reverse Fix Jackscrew MA = slotted head MB = hex socket head Note: MB not available on horizontal connectors	F8, F9
MC			Retainer, no Board Mount	FC, FD, FR
MD			Retainer, Horizontal Board Mount, slotted head	FC, FD, FR

Datamate J-Tek Jackscrew List – March 2022

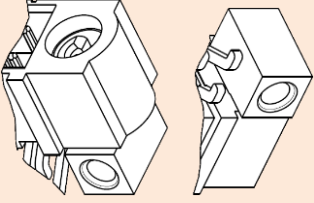
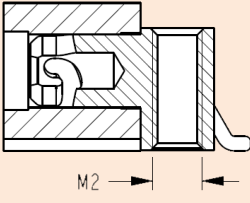
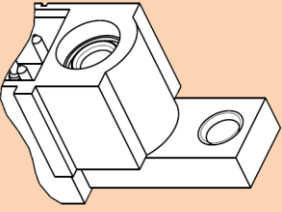
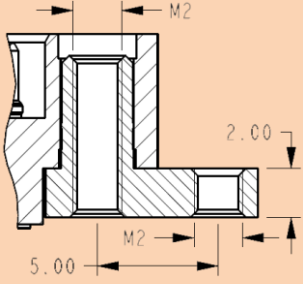


FOR USE ON MALE CONNECTORS – 2-Row (M80) – continued

J/S Code	3D image	2D dimensions	Description	Mates with Female jackscrews:
ME			101 Lok Retainer, Vertical Board Mount, slotted nut	FC, FD, FR
MF or MG			Jackscrew with Vertical Board Mount stud, hex nut MF = 5mm stud MG = 3.5mm stud	00, F1, F2, F3, FH
MH			Jackscrew with Vertical Board Mount 6mm stud, slotted nut	00, F1, F2, F3, FH
ML			Ø1.6mm Guide Socket with Horizontal Board Mount, 5mm slotted head	F3, FH, FN
MN			Jackscrew with Horizontal Board Mount, 10mm bolt, slotted head	00, F1, F2, F3, FH
MP			Ø1.65mm Guide Socket (through-hole) with Horizontal Board Mount, 5mm slotted head	F3, FH, FN, FP
MQ			Jackscrew with Horizontal SMT solder tabs	00, F1, F2, F3, FH

Datamate J-Tek Jackscrew List – March 2022

Datamate **J-Tek**

<p>MR</p>			<p>101 Lok Retainer, Horizontal Board Mount, no bolt included</p>	<p>FC, FD, FR</p>
<p>MU</p>			<p>Jackscrew with Rear Panel Mount Lugs</p>	<p>00, F1, F2, F3, FH</p>

Datamate J-Tek Jackscrew List – March 2022



FOR USE ON FEMALE CONNECTORS – 3-Row (M83)				
J/S Code	3D image	2D dimensions	Description	Mates with Male jackscrews:
00			No jackscrew assembled	00 (or M2/M3/M5/M7/MF/MG/MH for board mount)
F1			Hexagonal Slotted Jackscrew (floating)	M1, M2, M3, M5, M7, MF, MG, MH
F2			Hexagonal Socket Jackscrew (floating)	M1, M2, M3, M5, M7, MF, MG, MH
F3			Ø1.4mm Guide Pin Jackscrew with 6mm Board Mount, slotted nut	M1, M2, M3, M5, M7, MF, MG, MH
F4			Ø1.5mm Guide Pin Jackscrew	M1, M2, M3, M5, M7, MF, MG, MH
F6 or F7			Ø2mm Guide Pin Jackscrew with 5mm Board Mount F6 = slotted nut F7 = hex nut	00

Datamate J-Tek Jackscrew List – March 2022



FOR USE ON FEMALE CONNECTORS – 3-Row (M83) – continued				
J/S Code	3D image	2D dimensions	Description	Mates with Male jackscrews:
FB			Hexagonal Socket Jackscrew (floating) with Guide Pin	M1
FH			Ø1.4mm Guide Pin Jackscrew with 6mm Board Mount, hex nut	M1, M2, M3, M5, M7, MF, MG, MH
M1			Internal jackscrew fixing only	All

Datamate J-Tek Jackscrew List – March 2022



FOR USE ON MALE CONNECTORS – 3-Row (M83)				
J/S Code	3D image	2D dimensions	Description	Mates with Female jackscrews:
00			No jackscrew assembled	00, F6, F7
M1			Jackscrew fixing only, no board mount	F1, F2, F3, F4, FB, FH
M2 or M3			Jackscrew with Vertical Board Mount stud, slotted nut M2 = 3.5mm stud M3 = 5mm stud	00, F1, F2, F3, F4, FH
M5 or M7			Jackscrew with Horizontal Board Mount, 8mm bolt M5 = slotted head M7 = hex socket head	00, F1, F2, F3, F4, FH
MF or MG			Jackscrew with Vertical Board Mount stud, hex nut MF = 5mm stud MG = 3.5mm stud	00, F1, F2, F3, F4, FH
MH			Jackscrew with 6mm Vertical Board Mount stud, slotted nut	00, F1, F2, F3, F4, FH