

Customer Information Sheet

IF IN DOUBT - ASK

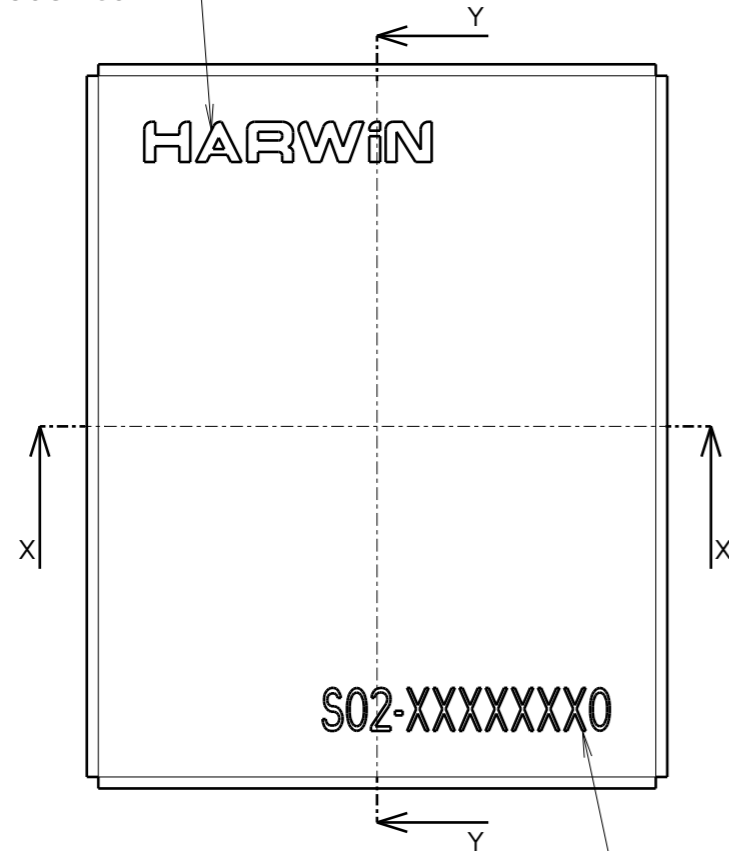
©

NOT TO SCALE

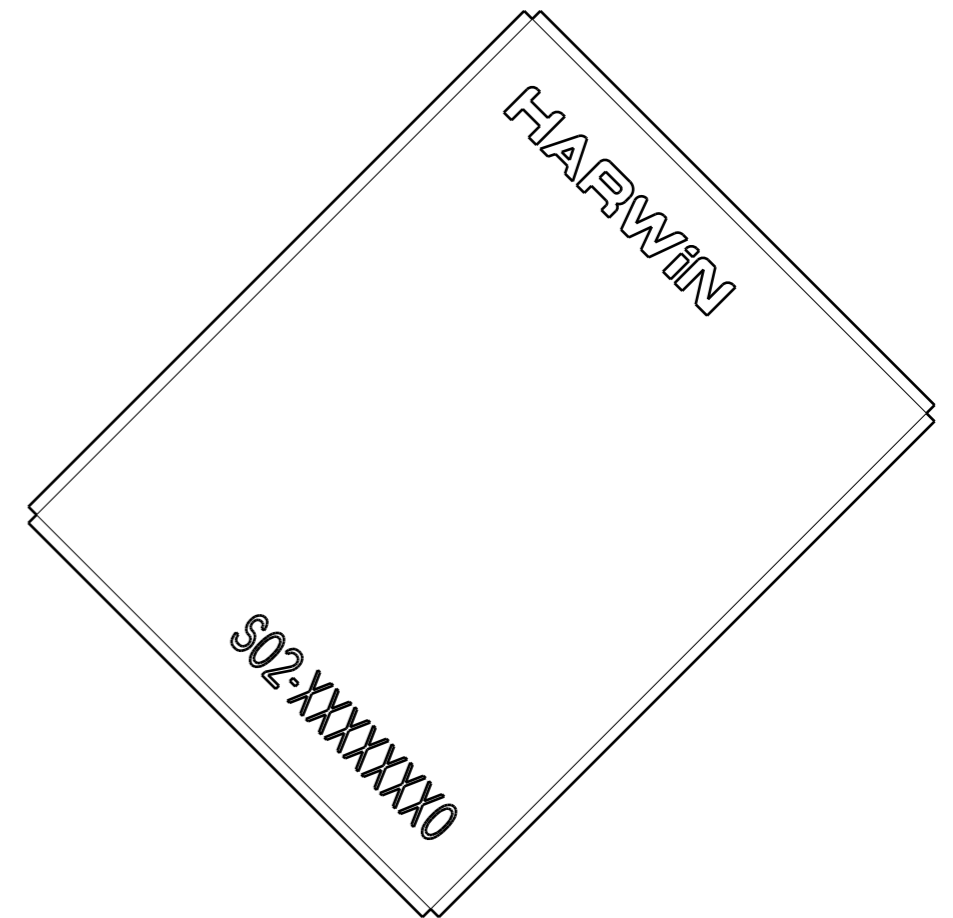
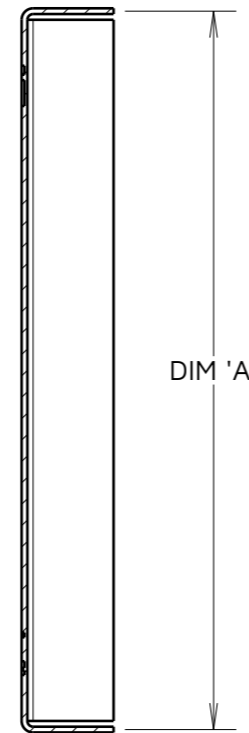
THIRD ANGLE PROJECTION

ALL DIMENSIONS IN mm

EMBOSSED HARWIN LOGO
NOT THROUGH CUT.



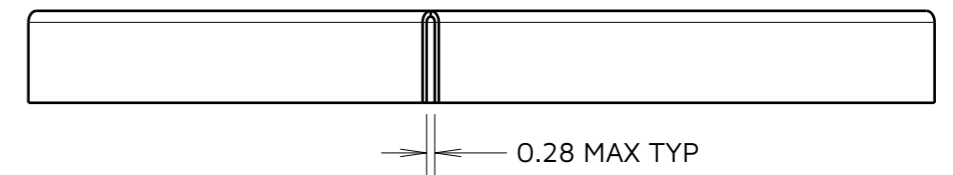
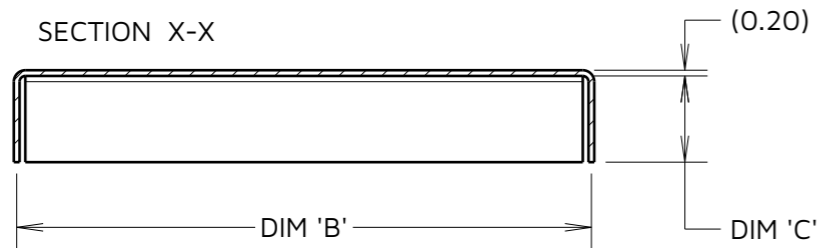
SECTION Y-Y



VIEW SHOWING CORNER OF
THE SHIELD CAN

EMBOSSED PART NUMBER (SEE ORDER CODE).
NO THROUGH CUT.

SECTION X-X



NOTES:

1. DIM 'C', HEIGHT OF THE CAN IS FROM THE BOTTOM EDGE TO THE INSIDE OF THE TOP FACE.
2. BOTH DIM 'A' AND 'B' ARE FROM THE CENTRE OF THE MATERIAL THICKNESS.
3. FOR INDIVIDUALLY PACKED CANS, SEE DRAWING S02-XXXXXXXO.
4. SHIELD CAN IS RECOMMENDED FOR USE WITH RFI SHIELD CLIPS: S0971-46R, S0981-46R, S0991-46R, S1001-46R AND S1721-XXR.
5. SEE SHEET 4 FOR TAPE AND REEL DETAILS.



ORDER CODE:

S02-XXXXXXXOR

SIZE:

DIM 'A' = CAN LENGTH

DIM 'B' = CAN WIDTH

DIM 'C' = CAN HEIGHT

FINISH:

O = UNPLATED FINISH

PACKING:

R = REEL (SEE SHEET 2)

AB	10	30.04.24	33993
NAME	ISS.	DATE	CN/CO
APPROVED:		A.BOXALL	
CHECKED:		R.PORTLOCK	
DRAWN:		S.BENNETT	
ASSEMBLY DRG:			

PART No.	DIM 'A'	DIM 'B'	DIM 'C'
S02-20150300	20.0	15.0	3.0
S02-25200300	25.0	20.0	3.0
S02-30200250	30.0	20.0	2.5

HARWIN

www.harwin.com

TOLERANCES

X. = ±1mm
X.X = ±0.50mm
X.XX = ±0.20mm
X.XXX = ±0.01mm

ANGLES = ±5°
UNLESS STATED

THIS DRAWING AND ANY INFORMATION OR DESCRIPTIVE MATTER SET OUT HEREON ARE CONFIDENTIAL AND COPYRIGHT PROPERTY OF THE HARWIN GROUP AND MUST NOT BE DISCLOSED, LOANED, COPIED OR USED FOR MANUFACTURING, TENDERING OR FOR ANY OTHER PURPOSE WITHOUT THEIR WRITTEN PERMISSION.

MATERIAL:

NICKEL SILVER, HALF
HARD NS106,
TO BS1653
0.20mm THICK

TITLE:

EMC-BOARDWARE
SHIELD CAN IN TAPE & REEL

DRAWING NUMBER:

S02-XXXXXXXOR

SHT
3
OF
4

Customer Information Sheet

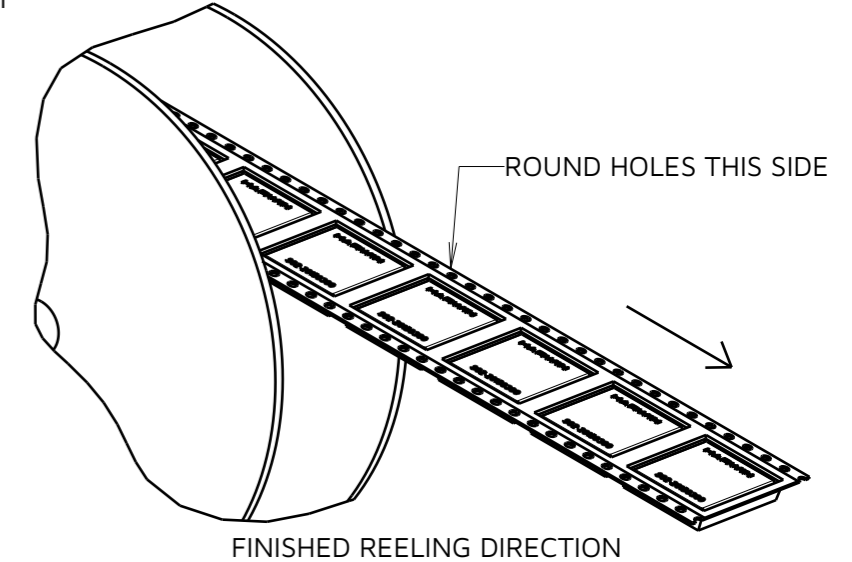
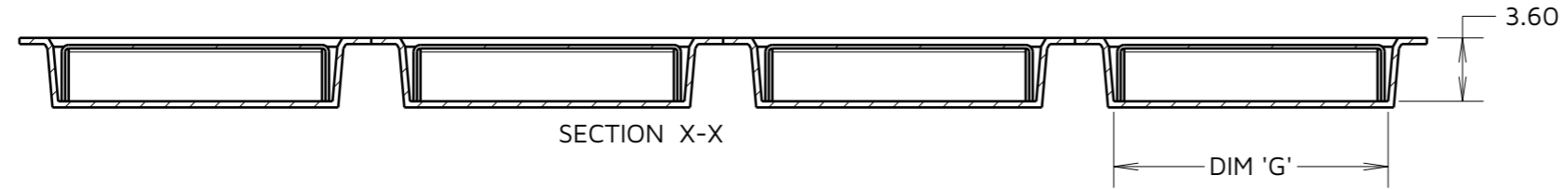
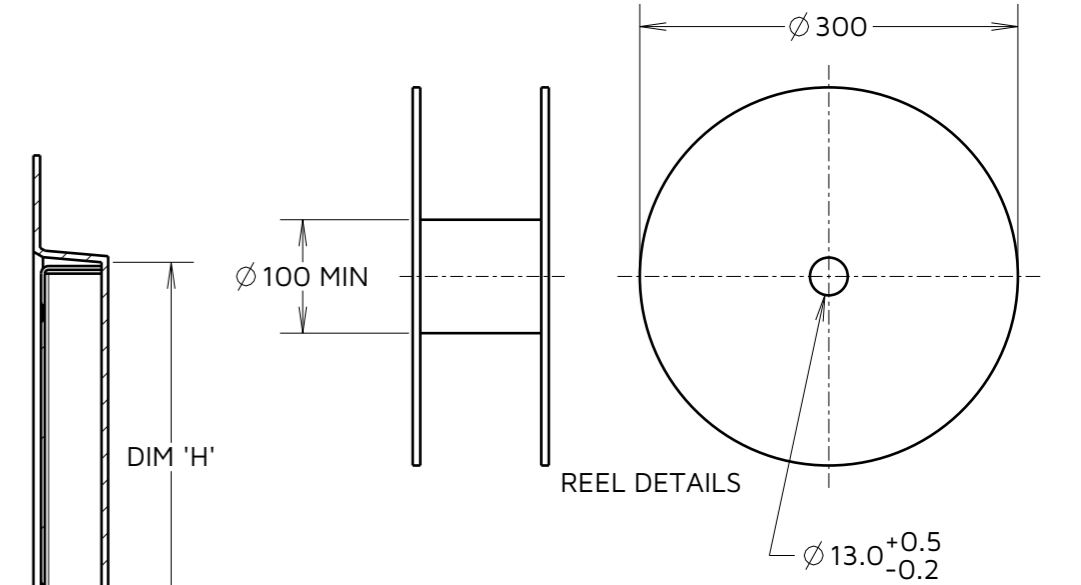
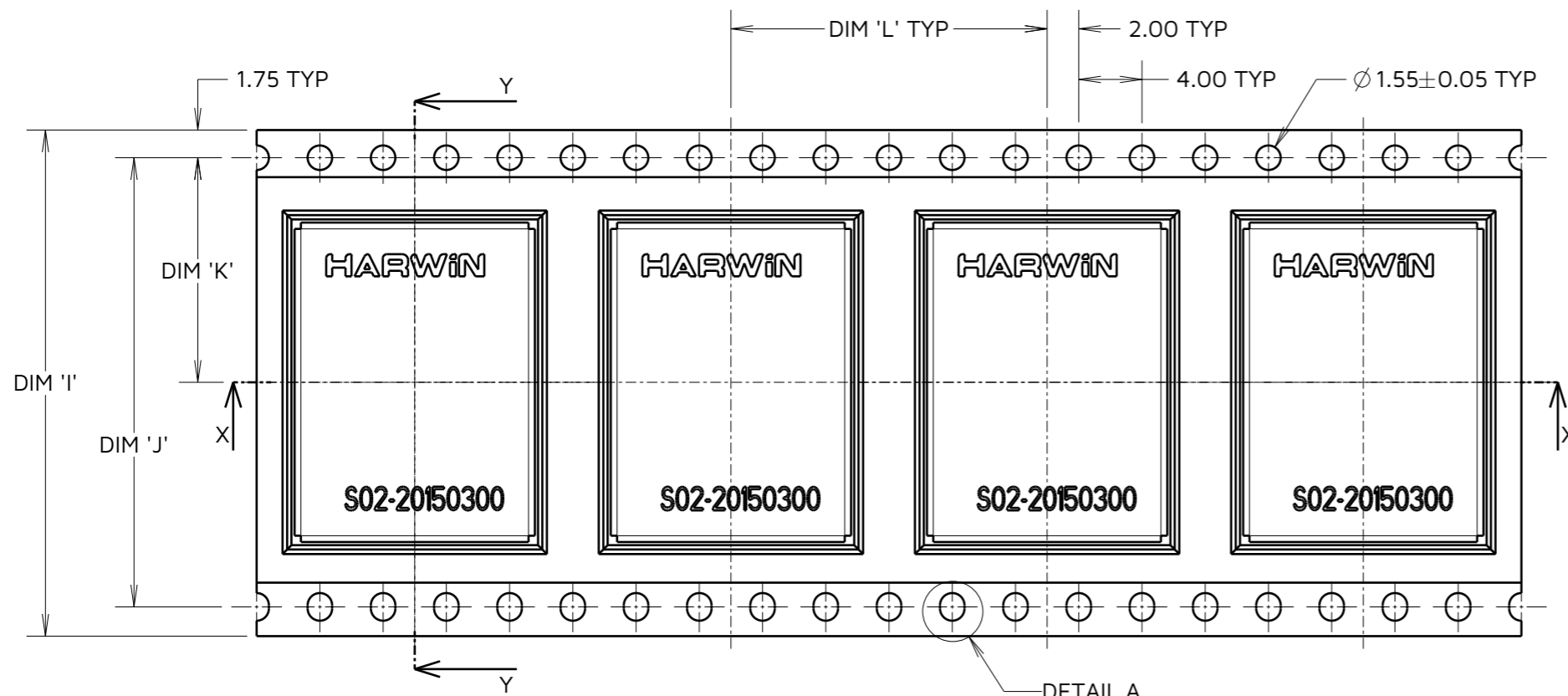
IF IN DOUBT - ASK

©

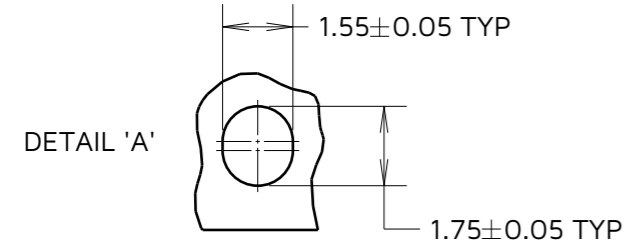
NOT TO SCALE

THIRD ANGLE PROJECTION

ALL DIMENSIONS IN mm



PART No.	QTY PER REEL	DIM 'G'	DIM 'H'	DIM 'I'	DIM 'J'	DIM 'K'	DIM 'L'
S02-20150300R	900	15.60	20.60	32.00±0.3	28.40	14.20	20.00
S02-25200300R	700	20.45	25.45	44.00±0.3	40.40	20.20	24.00
S02-30200250R	700	20.60	30.60	44.00±0.3	40.40	20.20	24.00



ORDER CODE:
S02-XXXXXXXOR

SIZE:
DIM 'A' = CAN LENGTH
DIM 'B' = CAN WIDTH
DIM 'C' = CAN HEIGHT

FINISH:
O = UNPLATED FINISH

PACKING:
R = REEL (SEE SHEET 2)



FOR ILLUSTRATIVE PURPOSES ONLY. SEE ORDER CODE AND TABLE FOR DIMENSIONS.

AB	10	30.04.24	33993
NAME	ISS.	DATE	CN/CO
APPROVED:		A.BOXALL	
CHECKED:		R.PORTLOCK	
DRAWN:		S.BENNETT	
ASSEMBLY DRG:			

NOTES:
6. QUANTITY OF COMPONENTS PER REEL = SEE TABLE.
7. PRODUCT IS TAPE AND REELED IN GENERAL ACCORDANCE WITH EIA-481-B (ELECTRONICS INDUSTRIES ASSOCIATION).
8. S02-20150300R SHOWN FOR ILLUSTRATIVE PURPOSES. SEE TABLE AND ORDER CODE FOR DIMENSIONS.

HARWIN
www.harwin.com

TOLERANCES
X. = ±1mm
X.X = ±0.50mm
X.XX = ±0.20mm
X.XXX = ±0.01mm
ANGLES = ±5°
UNLESS STATED

THIS DRAWING AND ANY INFORMATION OR DESCRIPTIVE MATTER SET OUT HEREON ARE CONFIDENTIAL AND COPYRIGHT PROPERTY OF THE HARWIN GROUP AND MUST NOT BE DISCLOSED, LOANED, COPIED OR USED FOR MANUFACTURING, TENDERING OR FOR ANY OTHER PURPOSE WITHOUT THEIR WRITTEN PERMISSION.

MATERIAL:
SEE SHEET 3

TITLE:
EMC-BOARDWARE SHIELD CAN IN TAPE & REEL
DRAWING NUMBER:
S02-XXXXXXXOR