

Customer Information Sheet

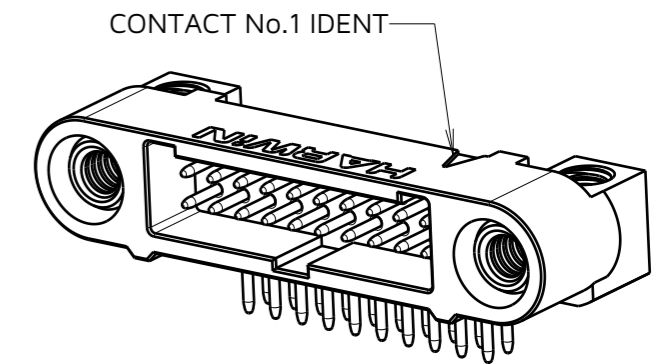
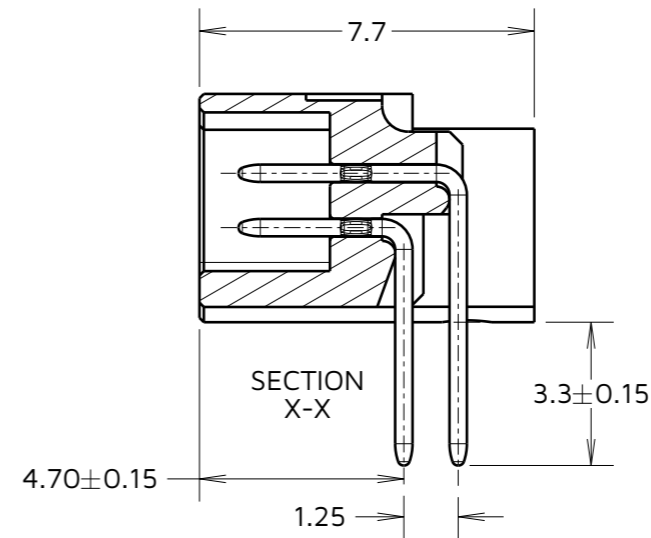
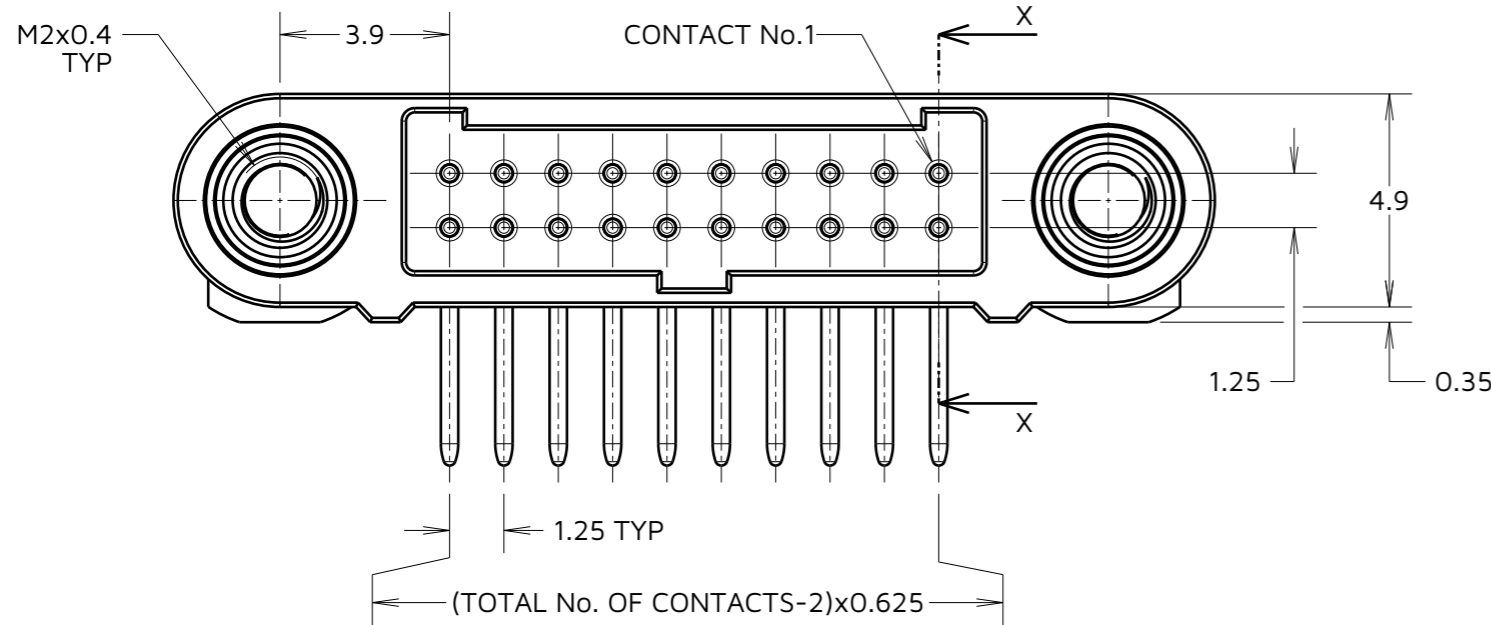
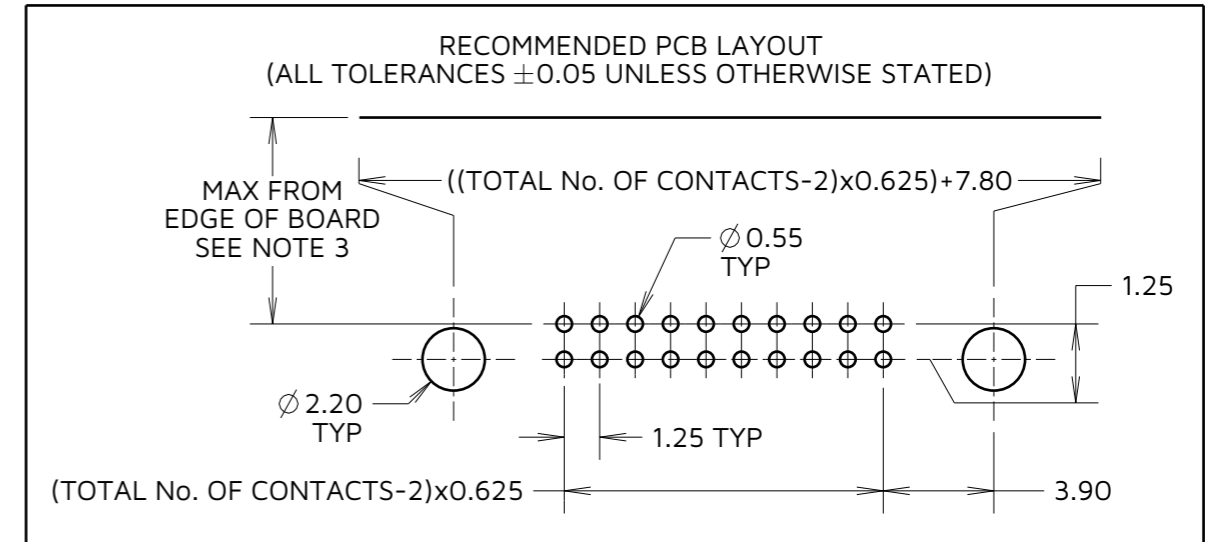
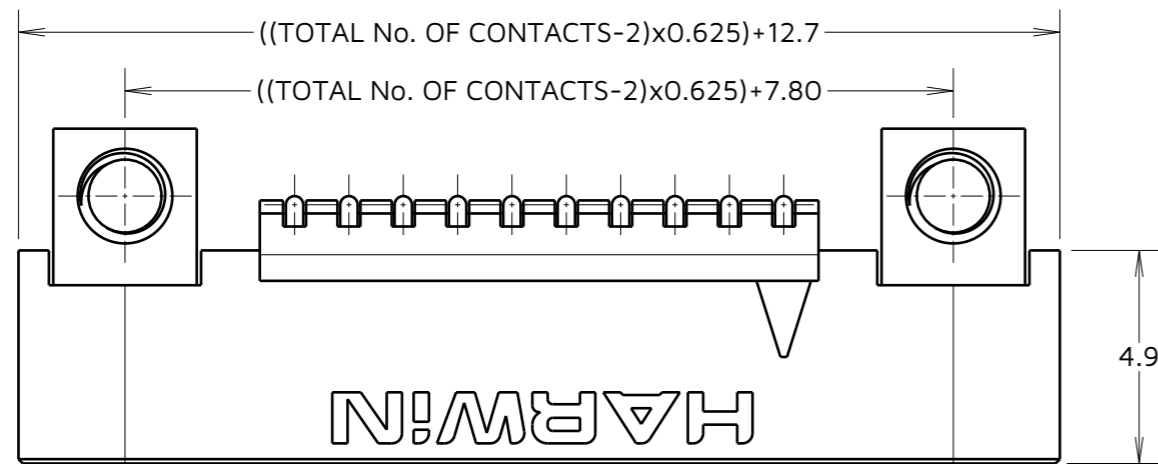
IF IN DOUBT - ASK

©

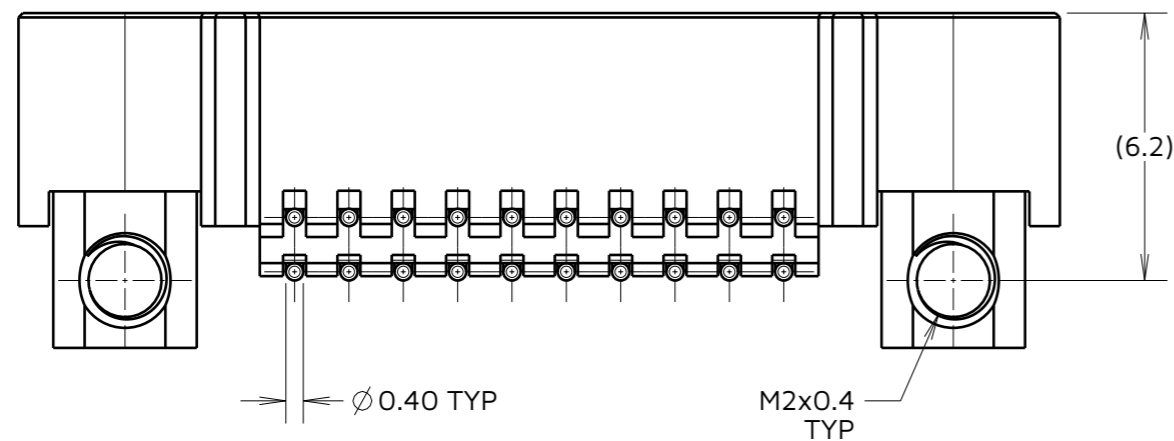
NOT TO SCALE

THIRD ANGLE PROJECTION

ALL DIMENSIONS IN mm



PRODUCT CODE:
G125-MH1XX05M4P
TOTAL No. OF CONTACTS
06, 10, 12, 16, 20, 26, 34 & 50.

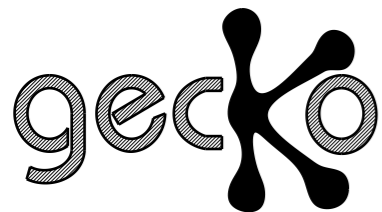


CONNECTOR AND PCB LAYOUT DETAILS ONLY. SEE SHEET 4 FOR TAPE STRIP DETAILS.

NOTES:

- FOR MATERIALS, FINISH AND SPECIFICATION SEE GECKO SERIES CONNECTORS SPECIFICATION SUMMARY SHEET OR COMPONENT SPECIFICATION C125XX (LATEST ISSUE) FOR FULL SPECIFICATION.
- DRAWING SHOWS CONNECTOR WITH 20 CONTACTS.
- MAX DISTANCE OF NEAR SIDE CONTACTS TO BOARD EDGE WHEN MATED WITH:
-UNSHIELDED CABLE: 4.90mm
-SHIELDED CABLE : 2.75mm
- A RANGE OF SUITABLE M2 BOARD MOUNT SCREWS ARE AVAILABLE SEPARATELY. VISIT HARWIN.COM FOR DETAILS.

AB	4	01.05.24	34006
NAME	ISS.	DATE	CN/CO
APPROVED: A.BOXALL			
CHECKED: A.YEOMANS			
DRAWN: R.PORTLOCK			
ASSEMBLY DRG:			



HARWIN

www.harwin.com

TOLERANCES
X. = ± 1 mm
X.X = ± 0.50 mm
X.XX = ± 0.20 mm
X.XXX = ± 0.01 mm
ANGLES = $\pm 5^\circ$
UNLESS STATED

THIS DRAWING AND ANY INFORMATION OR DESCRIPTIVE MATTER SET OUT HEREON ARE CONFIDENTIAL AND COPYRIGHT PROPERTY OF THE HARWIN GROUP AND MUST NOT BE DISCLOSED, LOANED, COPIED OR USED FOR MANUFACTURING, TENDERING OR FOR ANY OTHER PURPOSE WITHOUT THEIR WRITTEN PERMISSION.

MATERIAL:
SEE ABOVE

TITLE: GECKO-SL HORIZONTAL THROUGHBOARD MALE CONNECTOR ASSEMBLY IN TAPE

DRAWING NUMBER:
G125-MH1XX05M4P

SHT
3
OF
4

Customer Information Sheet

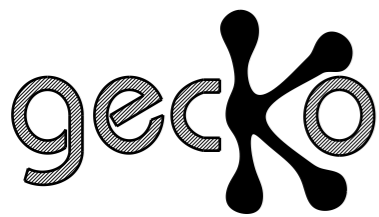
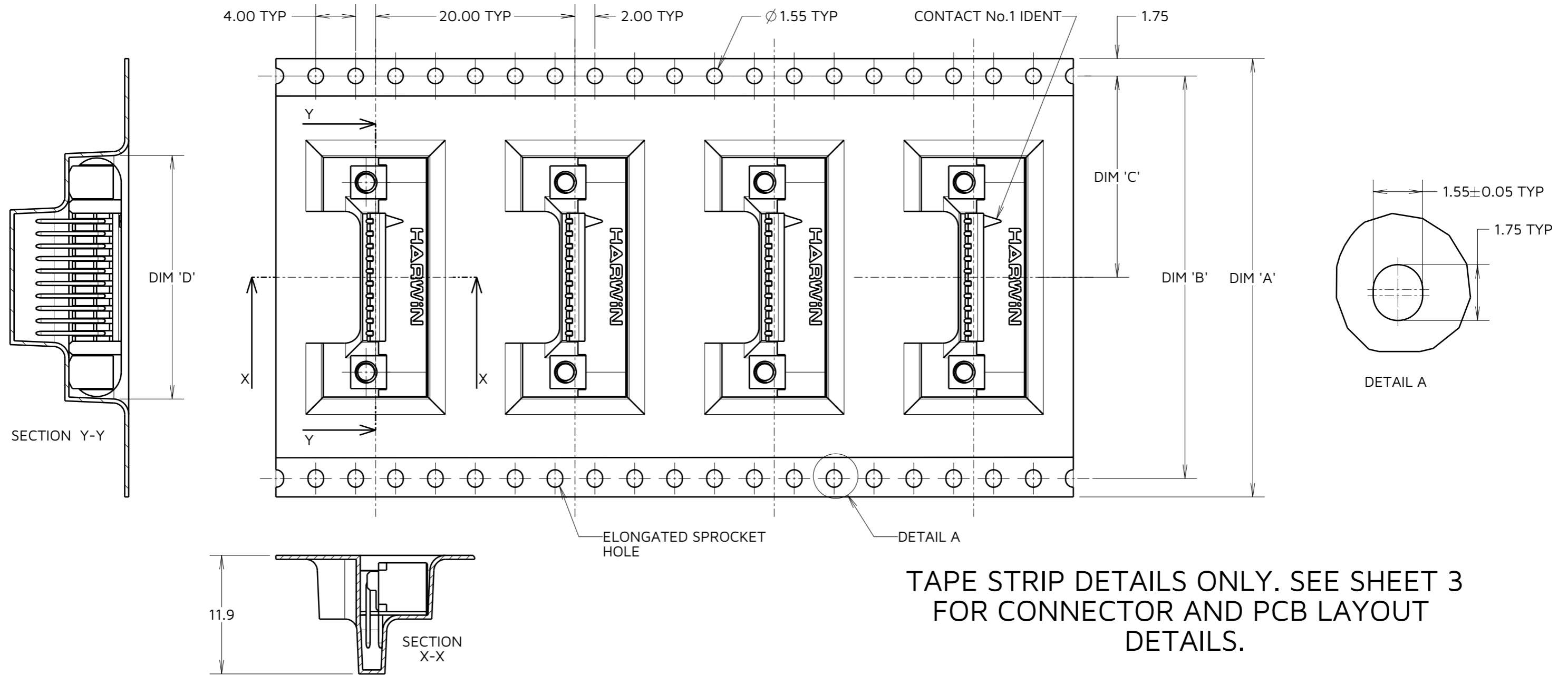
IF IN DOUBT - ASK

©

NOT TO SCALE

THIRD ANGLE PROJECTION

ALL DIMENSIONS IN mm



PRODUCT CODE:
G125-MH1XX05M4P

TOTAL No. OF CONTACTS _____
06, 10, 12, 16, 20, 26, 34 & 50.

PART No.	DIM 'A'	DIM 'B'	DIM 'C'	DIM 'D'
G125-MH10605M4P				15.30±0.15
G125-MH11005M4P	32.0±0.3	28.40	14.20	17.80±0.15
G125-MH11205M4P				19.05±0.15
G125-MH11605M4P				21.55±0.15
G125-MH12005M4P	44.0±0.3	40.40	20.20±0.15	24.05±0.15
G125-MH12605M4P				27.80±0.15
G125-MH13405M4P				32.80±0.15
G125-MH15005M4P	56.0±0.3	52.40	26.20±0.15	42.80±0.15

AB	4	01.05.24	34006
NAME	ISS.	DATE	CN/CO
APPROVED: A.BOXALL			
CHECKED: A.YEOMANS			
DRAWN: R.PORTLOCK			
ASSEMBLY DRG:			

NOTES:
5. COMPONENTS ARE ORIENTED IN TAPE POCKETS AS SHOWN.
6. COMPONENTS ARE SUPPLIED IN STRIPS OF TAPE WITH A QUANTITY OF 10 CONNECTORS PER STRIP.

HARWIN

www.harwin.com

TOLERANCES
X. = ±1mm
X.X = ±0.50mm
X.XX = ±0.20mm
X.XXX = ±0.01mm
ANGLES = ±5°
UNLESS STATED

THIS DRAWING AND ANY INFORMATION OR DESCRIPTIVE MATTER SET OUT HEREON ARE CONFIDENTIAL AND COPYRIGHT PROPERTY OF THE HARWIN GROUP AND MUST NOT BE DISCLOSED, LOANED, COPIED OR USED FOR MANUFACTURING, TENDERING OR FOR ANY OTHER PURPOSE WITHOUT THEIR WRITTEN PERMISSION.

MATERIAL:

SEE SHEET 3

TITLE: **GECKO-SL HORIZONTAL THROUGHBOARD MALE CONNECTOR ASSEMBLY IN TAPE**

DRAWING NUMBER:
G125-MH1XX05M4P

SHT
4 OF 4