

Customer Information Sheet

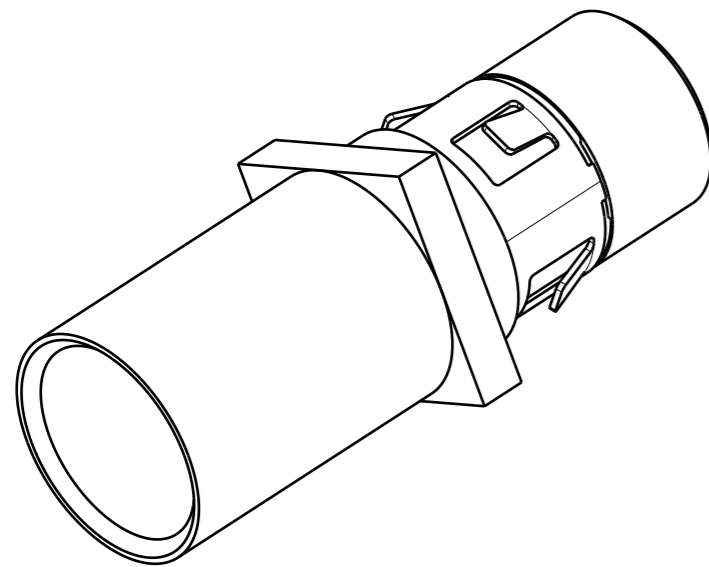
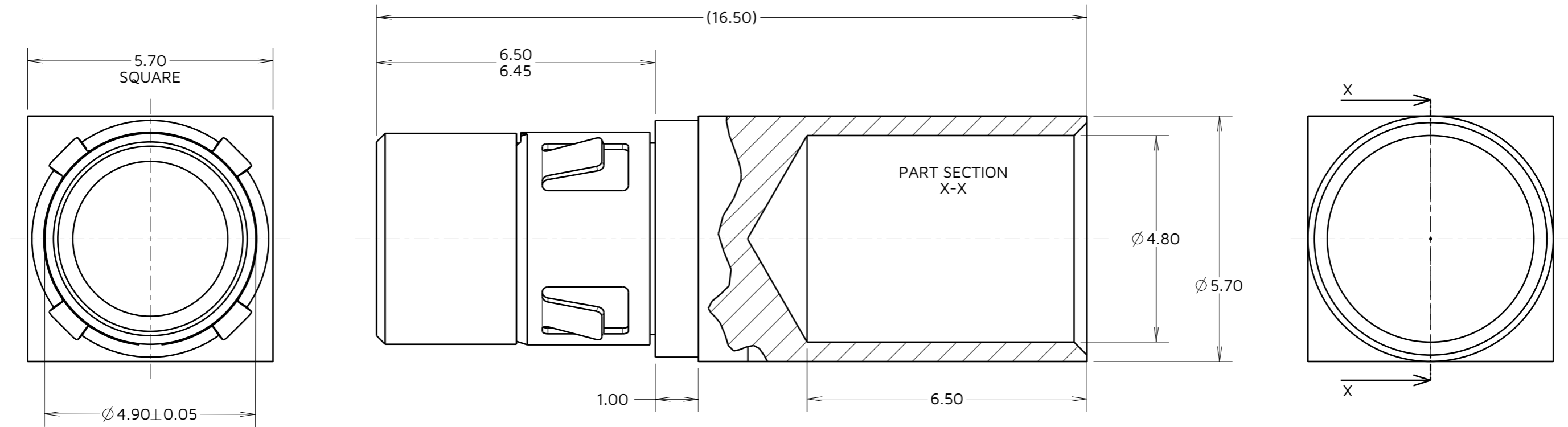
IF IN DOUBT - ASK

©

NOT TO SCALE

THIRD ANGLE PROJECTION

ALL DIMENSIONS IN mm



NOTES:

1. CONTACT CRIMP TOOL = ZA1-920. CONTACT CRIMP POSITIONER = ZA1-921. FOR FULL CRIMPING INSTRUCTIONS SEE IS-49.
2. CONTACT EXTRACTION TOOL = ZA1-9040000 (SEE IS-49).
3. FOR ALL OTHER ELECTRICAL / MECHANICAL REQUIREMENTS, SEE COMPONENT SPECIFICATION C052XX (LATEST ISSUE).
4. MAX WIRE CONDUCTOR SIZE = $\varnothing 4.24\text{mm}$ / 8AWG.
MAX WIRE INSULATION SIZE = $\varnothing 7.50\text{mm}$.
5. STRIP WIRE BY $7 \pm 0.20\text{mm}$.
5. PACK SIZE = 10.

RTP	1	07.09.23	33001
NAME	ISS.	DATE	CN/CO
APPROVED: F.CHRISPINE			
CHECKED: A.BOXALL			
DRAWN: R.PORTLOCK			
ASSEMBLY DRG:			

HARWIN

www.harwin.com

TOLERANCES
 X. = $\pm 1\text{mm}$
 X.X = $\pm 0.50\text{mm}$
 X.XX = $\pm 0.20\text{mm}$
 X.XXX = $\pm 0.01\text{mm}$
 ANGLES = $\pm 5^\circ$
 UNLESS STATED

THIS DRAWING AND ANY INFORMATION OR DESCRIPTIVE MATTER SET OUT HEREON ARE CONFIDENTIAL AND COPYRIGHT PROPERTY OF THE HARWIN GROUP AND MUST NOT BE DISCLOSED, LOANED, COPIED OR USED FOR MANUFACTURING, TENDERING OR FOR ANY OTHER PURPOSE WITHOUT THEIR WRITTEN PERMISSION.

MATERIAL:

BERYLLIUM COPPER

TITLE: KONA SERIES
FEMALE CRIMP CONTACT WITH
LATCHING COLLAR

DRAWING NUMBER:
KA1-0450005

SHT
2
OF
2