

# Customer Information Sheet

DRAWING No.: M80-5L11005M5-08-313-00-000

IF IN DOUBT - ASK

©

NOT TO SCALE

THIRD ANGLE PROJECTION

ALL DIMENSIONS IN mm

## SPECIFICATIONS:

### MATERIAL:

MOULDING: GLASS FILLED PPS, UL94V-0, BLACK  
 SIGNAL CONTACT: PHOSPHOR BRONZE  
 COAX CONTACT:

BODY = COPPER ALLOY  
 INNER CONTACT = PHOSPHOR BRONZE  
 INSULATOR = PTFE

BOARD-MOUNT JACKSCREW, SCREW: STAINLESS STEEL

### FINISH:

SIGNAL CONTACT: 0.75µm GOLD  
 COAX CONTACT: BODY, INNER CONTACT = GOLD OVER NICKEL

### ELECTRICAL:

WORKING VOLTAGE = 800V AC/DC

VOLTAGE PROOF = 1200V AC/DC

INSULATION RESISTANCE = 100MΩ MIN

SIGNAL CONTACT:

CURRENT RATING AT 25°C = 3.0A MAX

CURRENT RATING AT 85°C = 2.2A MAX

CONTACT RESISTANCE = 25mΩ MAX

COAX CONTACT:

FREQUENCY RANGE = 6GHz

IMPEDANCE = 50Ω

V.S.W.R = 1.05 + (0.04 x FREQUENCY) GHz MAX

CONTACT RESISTANCE = 6mΩ MAX

INSULATION RESISTANCE = 10<sup>6</sup>MΩ @250V AC

OPERATING VOLTAGE = 180V AC @ 500mA

MAXIMUM VOLTAGE = 1000V AC

### MECHANICAL:

DURABILITY = 500 OPERATIONS

### ENVIRONMENTAL:

TEMPERATURE RANGE = -55°C TO +125°C

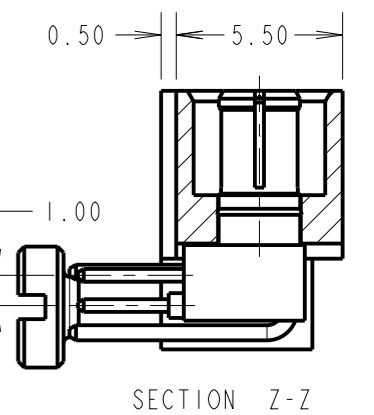
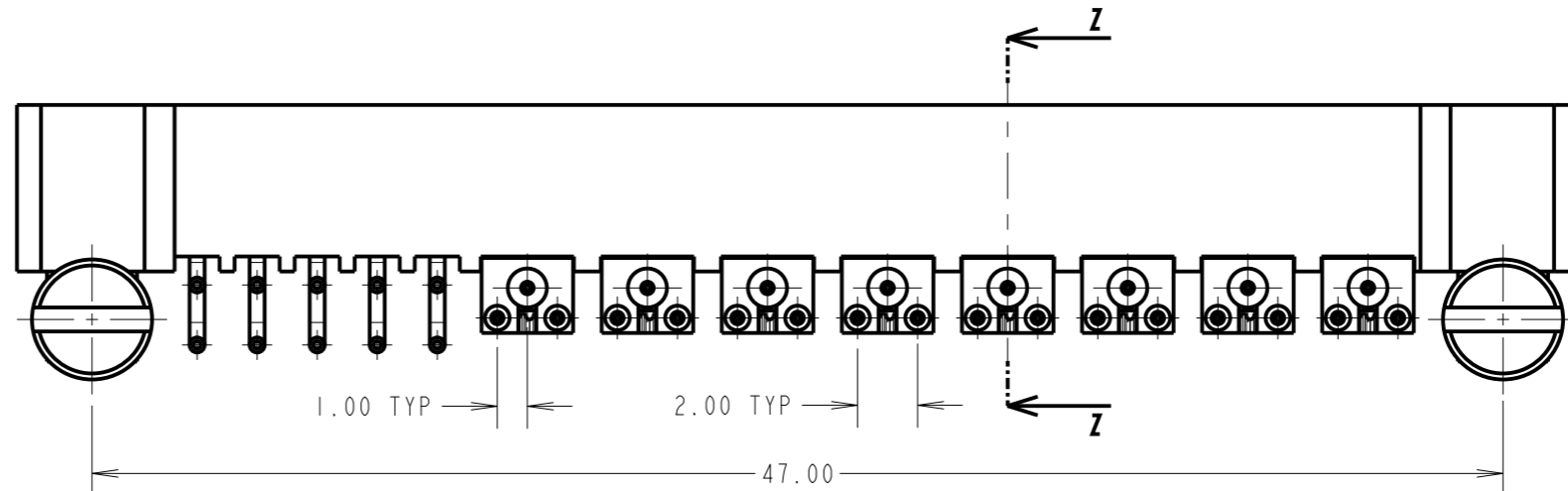
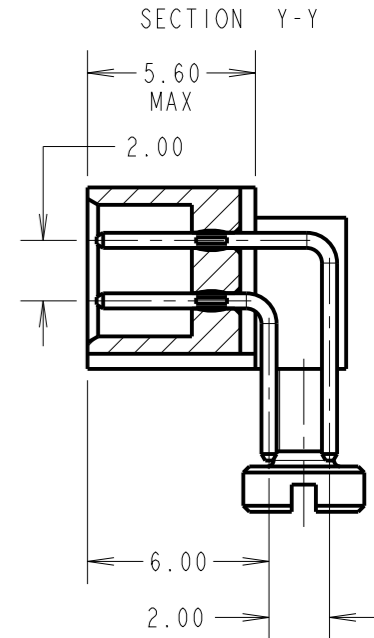
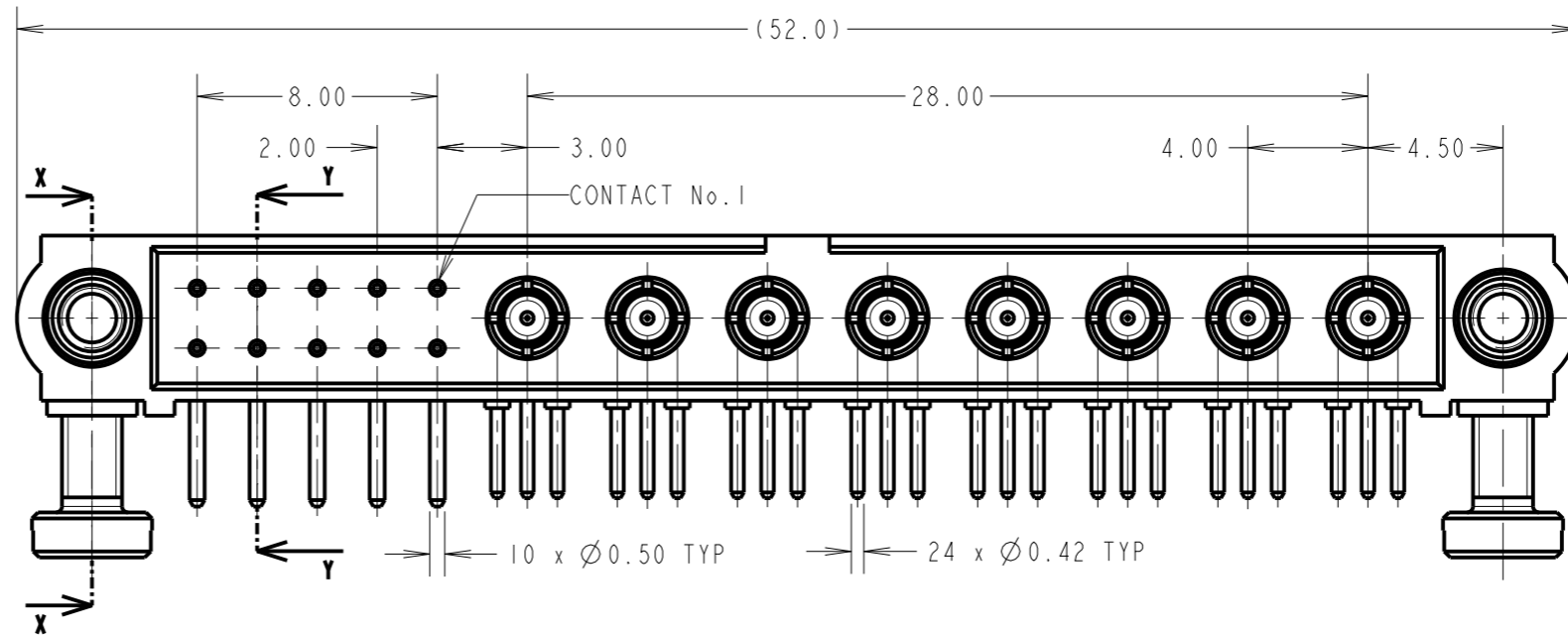
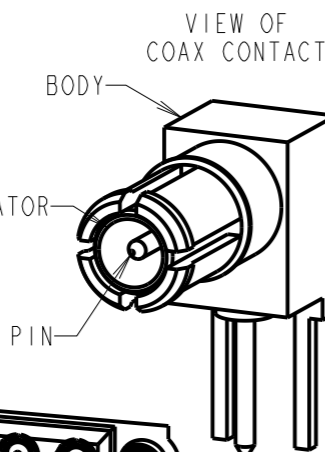
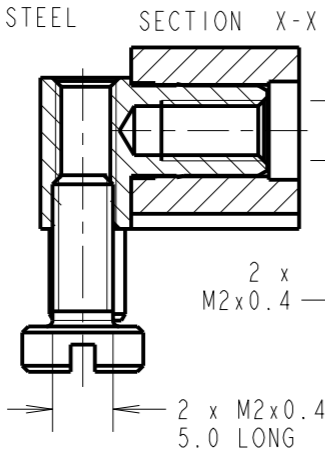
### PACKING:

TUBE

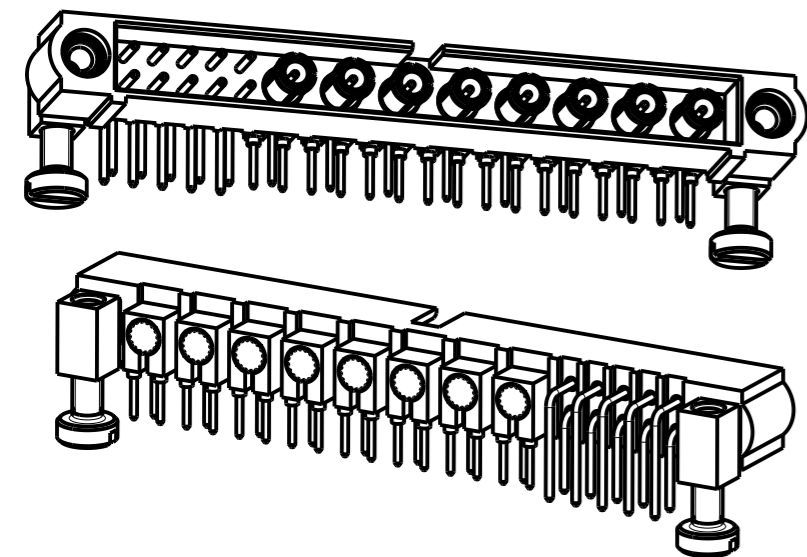
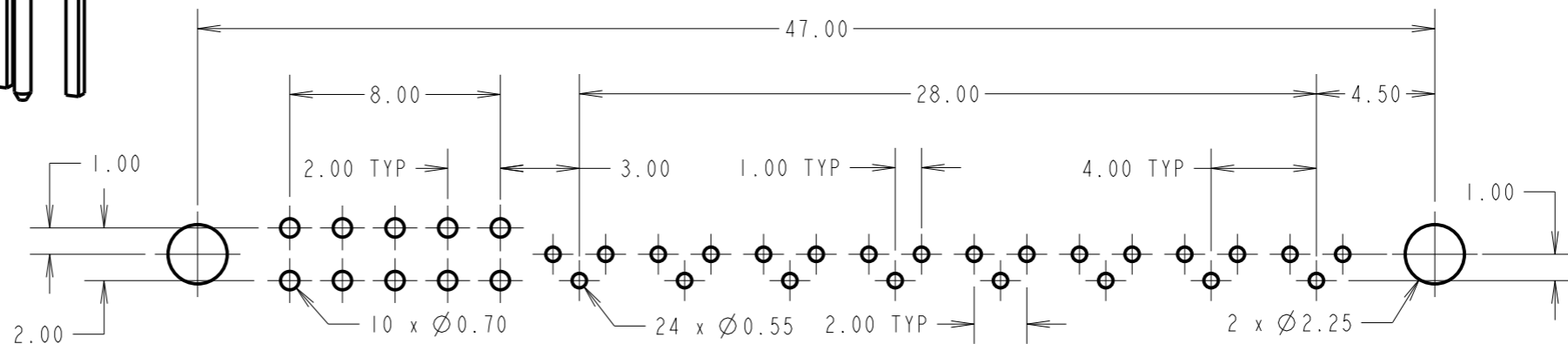
FOR COMPLETE SPECIFICATION SEE COMPONENT SPECIFICATION C005XX (LATEST ISSUE)

### NOTES:

1. CONNECTORS ARE SUPPLIED WITH SCREW NOT ASSEMBLED AS SHOWN.



RECOMMENDED PCB LAYOUT - TOLERANCE ±0.05mm



MGP	2	14.06.22	31653
NAME	ISS.	DATE	CN/CO
APPROVED: MGP			
CHECKED: MR			
DRAWN: M.G.PLESTED			
CUSTOMER REF.:			
ASSEMBLY DRG:			

**HARWIN**

www.harwin.com  
 technical@harwin.com

THIS DRAWING AND ANY INFORMATION OR DESCRIPTIVE MATTER SET OUT HEREON ARE CONFIDENTIAL AND COPYRIGHT PROPERTY OF THE HARWIN GROUP AND MUST NOT BE DISCLOSED, LOANED, COPIED OR USED FOR MANUFACTURING, TENDERING OR FOR ANY OTHER PURPOSE WITHOUT THEIR WRITTEN PERMISSION.

### TOLERANCES

X. = ±1mm  
 X.X = ±0.50mm  
 X.XX = ±0.20mm  
 X.XXX = ±0.01mm  
 ANGLES = ±5°  
 UNLESS STATED

### MATERIAL:

SEE ABOVE

### FINISH:

SEE ABOVE

### S/AREA:

mm<sup>2</sup>

TITLE: JACKSCREW DATAMATE  
 MIXED TECHNOLOGY HORIZONTAL  
 PC TAIL MALE ASSEMBLY

### DRAWING NUMBER:

**M80-5L11005M5-08-313-00-000**

SHT  
 2 OF 2