

# Customer Information Sheet

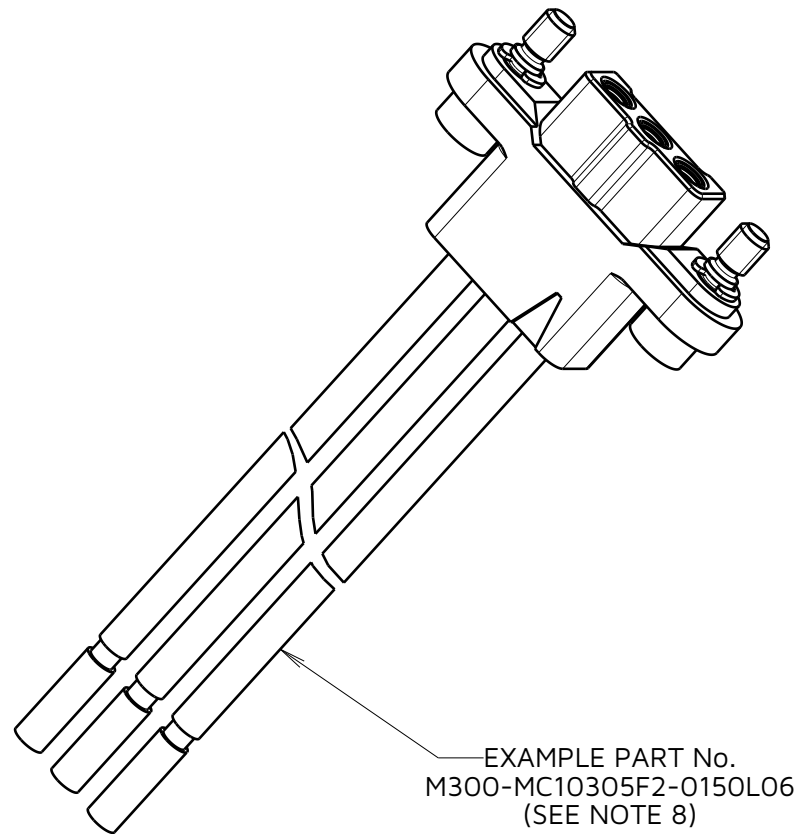
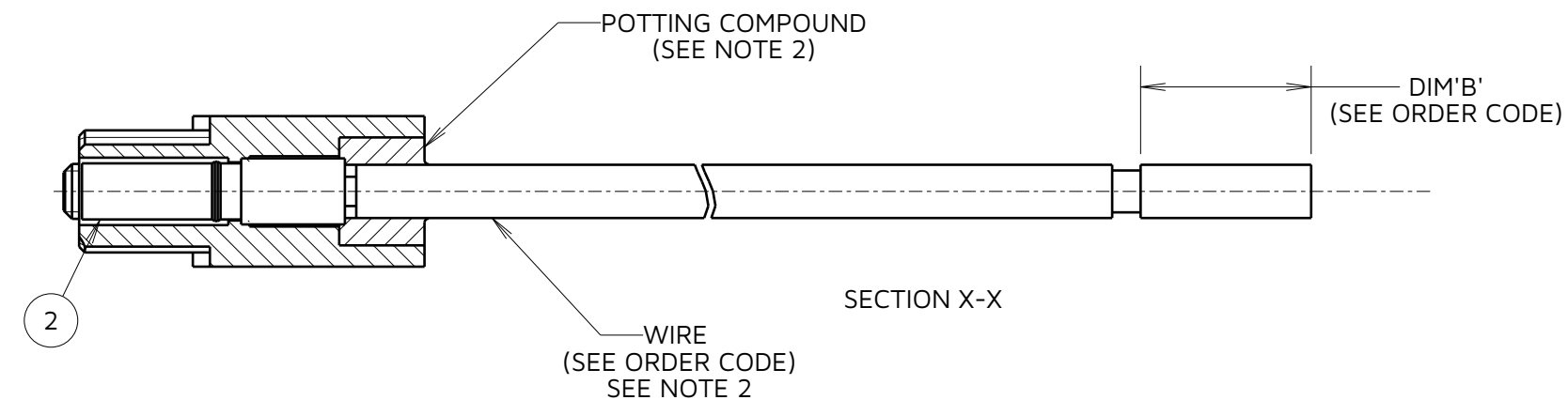
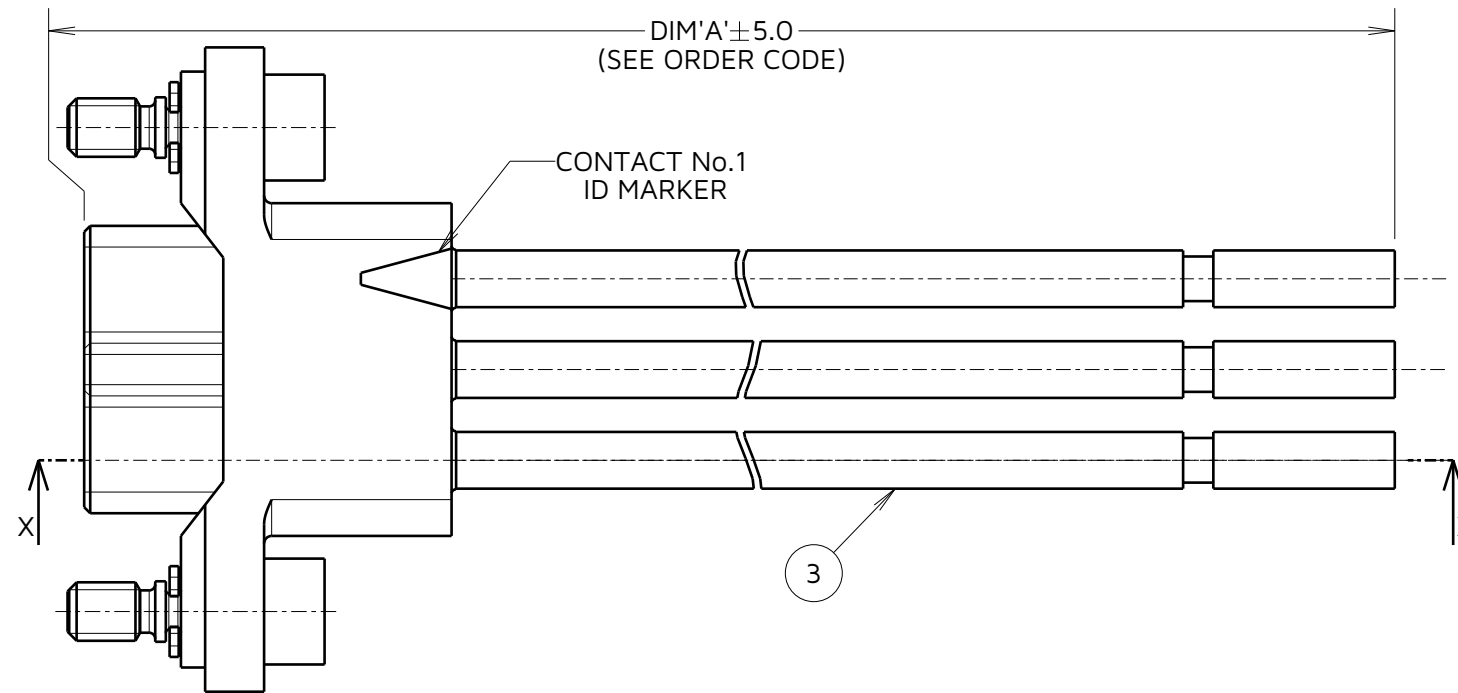
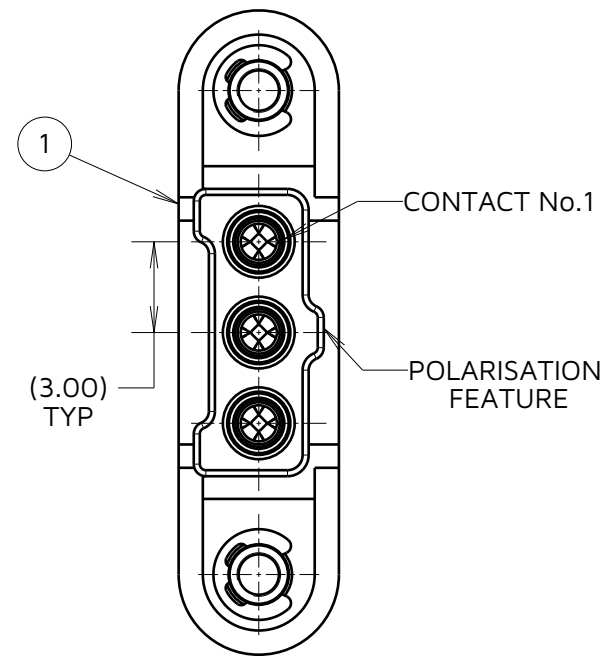
IF IN DOUBT - ASK

©

NOT TO SCALE

THIRD ANGLE PROJECTION

ALL DIMENSIONS IN mm



ORDER CODE: **M300-XCXXXXXXXX-XXXXLXX**

GENDER: F = FEMALE M = MALE	DIM'B' STRIPPED LENGTH: BLANK = BLUNT CUT 01 = 1mm STRIPPED 09 = 9mm STRIPPED
WIRE GAUGE: 1 = 18 AWG DIL 2 = 20 AWG DIL 3 = 22 AWG DIL 5 = 18 AWG SIL 6 = 20 AWG SIL 7 = 22 AWG SIL	DIM'A' CABLE LENGTH: 0060 = 60mm (MIN) 9999 = 9999mm (MAX)
No. OF CONTACTS: 03 = 3 CONTACTS (SIL ONLY) 06 = 6 CONTACTS (DIL ONLY) 10 = 10 CONTACTS (DIL ONLY)	FIXING STYLE: F2 = JACKSCREWS M1 = JACKSCREWS M2 = PANEL MOUNT
	WIRE COLOUR: 05 = WHITE 98 = BLACK 99 = RED

NOTES:  
9. SEE SHEET 7 FOR HOUSING AND FIXING IDENTIFICATION.  
10. SEE SHEET 8 FOR CONTACT IDENTIFICATION.  
11. ONLY CONTACTS COMPATIBLE WITH THE SAME WIRE CAN BE COMBINED IN AN ASSEMBLY.

**HARWIN**

www.harwin.com

TOLERANCES  
X. = ±1mm  
X.X = ±0.50mm  
X.XX = ±0.20mm  
X.XXX = ±0.01mm  
ANGLES = ±5°  
UNLESS STATED

THIS DRAWING AND ANY INFORMATION OR DESCRIPTIVE MATTER SET OUT HEREON ARE CONFIDENTIAL AND COPYRIGHT PROPERTY OF THE HARWIN GROUP AND MUST NOT BE DISCLOSED, LOANED, COPIED OR USED FOR MANUFACTURING, TENDERING OR FOR ANY OTHER PURPOSE WITHOUT THEIR WRITTEN PERMISSION.

MATERIAL & FINISH:  
SEE SHEET 5

TITLE:  
**M300 SINGLE ENDED CABLE ASSEMBLY**

DRAWING NUMBER:  
**M300-XCXXXXXXXX-XXXXLXX**

SHT  
6  
OF  
8

JD	2	27.02.25	35791
NAME	ISS.	DATE	CN/CO
APPROVED:		J.DEAN	
CHECKED:		R.PORTLOCK	
DRAWN:		F.CHRISPINE	

# Customer Information Sheet

IF IN DOUBT - ASK

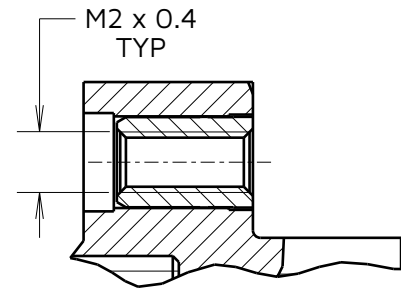
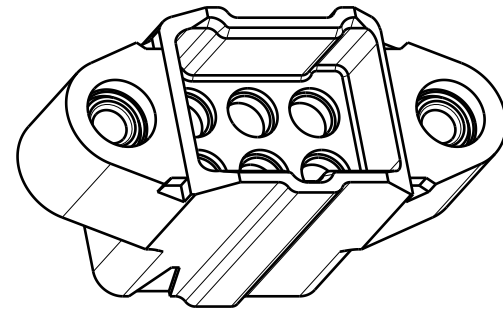


NOT TO SCALE

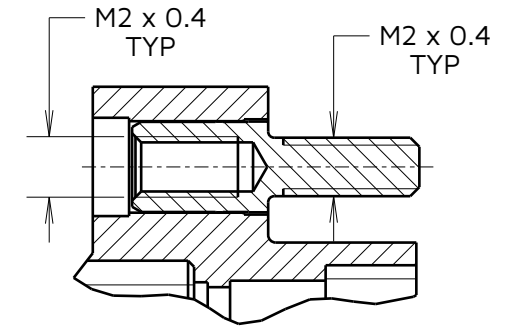
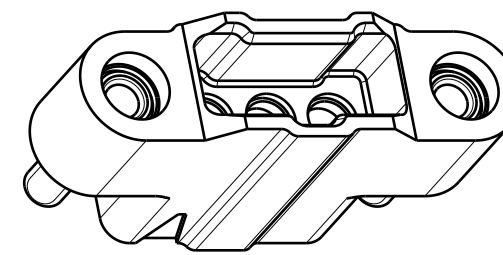
THIRD ANGLE PROJECTION

ALL DIMENSIONS IN mm

## MALE HOUSING

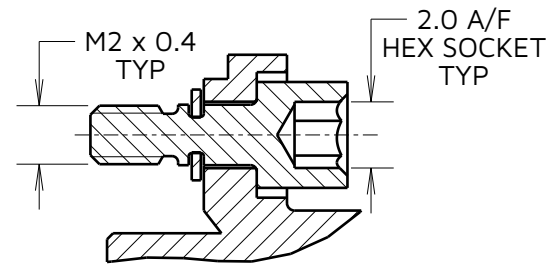
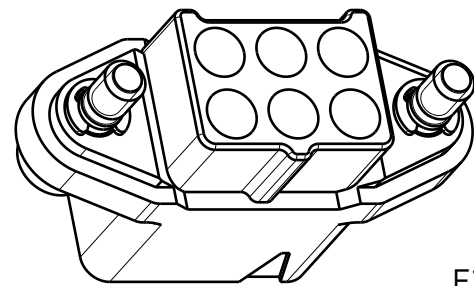


M1  
EXAMPLE: M300-3240696M1

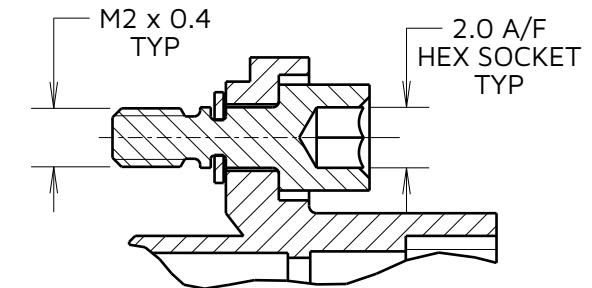
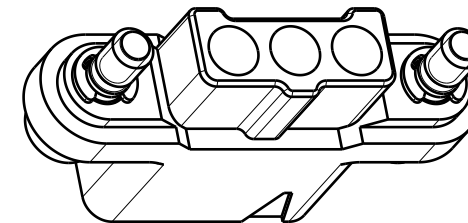


M2  
EXAMPLE: M300-3250396M2

## FEMALE HOUSING



F2  
EXAMPLE: M300-2240696F2



F2  
EXAMPLE: M300-2250396F2

# HOUSING AND FIXING IDENTIFICATION

ORDER CODE:

M300-XCXXXXXXXXXX-XXXXLXX

GENDER:

F = FEMALE  
M = MALE

WIRE GAUGE:

1 = 18 AWG DIL  
2 = 20 AWG DIL  
3 = 22 AWG DIL  
5 = 18 AWG SIL  
6 = 20 AWG SIL  
7 = 22 AWG SIL

No. OF CONTACTS:

03 = 3 CONTACTS (SIL ONLY)  
06 = 6 CONTACTS (DIL ONLY)  
10 = 10 CONTACTS (DIL ONLY)

DIM'B' STRIPPED LENGTH:

BLANK = BLUNT CUT  
01 = 1mm STRIPPED  
09 = 9mm STRIPPED

DIM'A' CABLE LENGTH:

0060 = 60mm (MIN)  
9999 = 9999mm (MAX)

FIXING STYLE:

F2 = JACKSCREWS  
M1 = JACKSCREWS  
M2 = PANEL MOUNT

WIRE COLOUR:

05 = WHITE  
98 = BLACK  
99 = RED

NOTES:  
12. SEE TABLE 1 ON SHEET 5 AND ORDER CODE FOR FIXING IDENTIFICATION.

JD	2	27.02.25	35791
NAME	ISS.	DATE	CN/CO
APPROVED:		J.DEAN	
CHECKED:		R.PORTLOCK	
DRAWN:		F.CHRISPINE	

**HARWIN**

www.harwin.com

TOLERANCES  
X. = ±1mm  
X.X = ±0.50mm  
X.XX = ±0.20mm  
X.XXX = ±0.01mm  
ANGLES = ±5°  
UNLESS STATED

THIS DRAWING AND ANY INFORMATION OR DESCRIPTIVE MATTER SET OUT HEREON ARE CONFIDENTIAL AND COPYRIGHT PROPERTY OF THE HARWIN GROUP AND MUST NOT BE DISCLOSED, LOANED, COPIED OR USED FOR MANUFACTURING, TENDERING OR FOR ANY OTHER PURPOSE WITHOUT THEIR WRITTEN PERMISSION.

MATERIAL & FINISH:  
SEE SHEET 5

TITLE:  
M300 SINGLE ENDED  
CABLE ASSEMBLY

DRAWING NUMBER:  
M300-XCXXXXXXXXXX-XXXXLXX

SHT  
7 OF  
8

# Customer Information Sheet

IF IN DOUBT - ASK

©

NOT TO SCALE

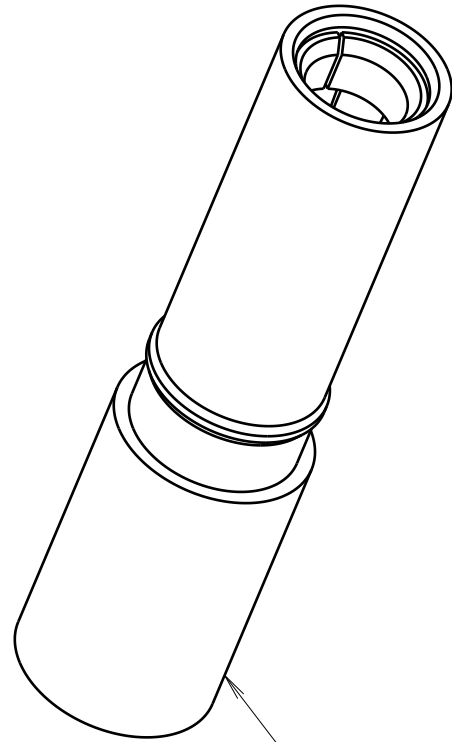
THIRD ANGLE PROJECTION

ALL DIMENSIONS IN mm

## CONTACT IDENTIFICATION

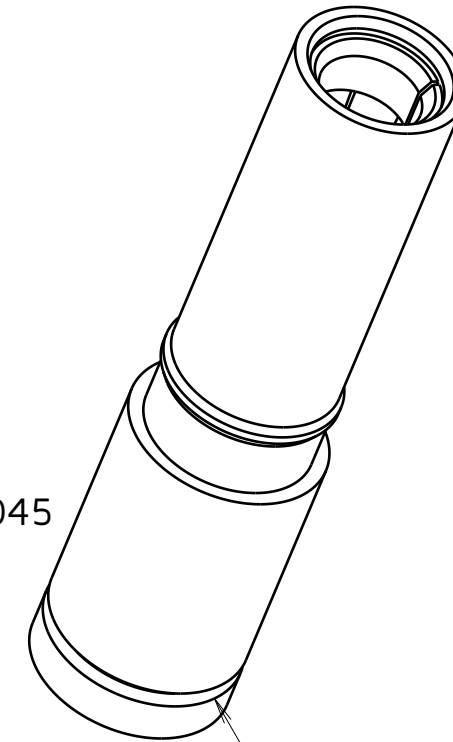
### FEMALE CONTACTS

PART No.: M300-0010045



NO IDENT FEATURE FOR 18 & 20AWG  
QTY = TOTAL No. CONTACTS  
(SEE ORDER CODE)

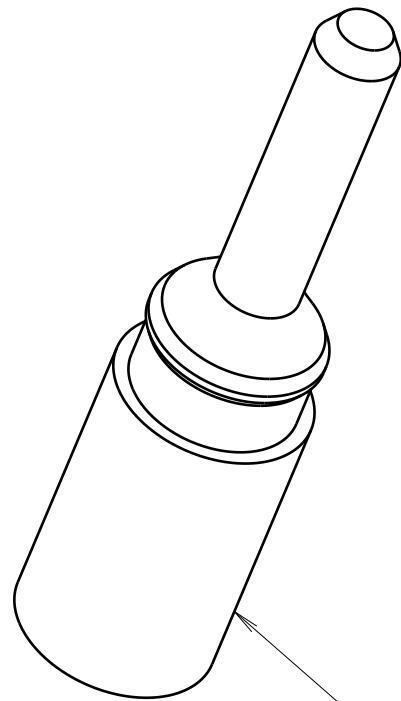
PART No.: M300-0020045



IDENT FEATURE FOR 22 AWG  
QTY = TOTAL No. CONTACTS  
(SEE ORDER CODE)

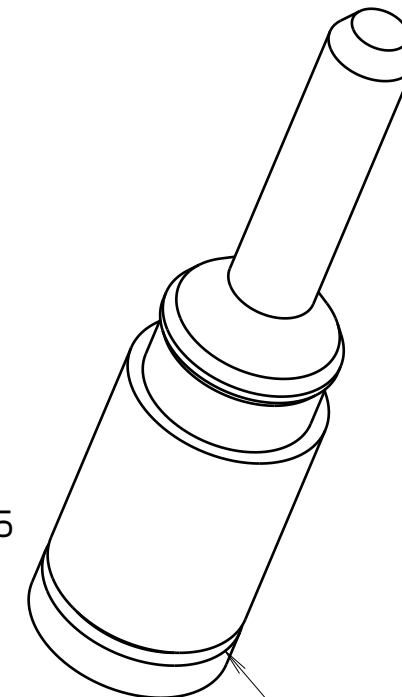
### MALE CONTACTS

PART No.: M300-1010045



NO IDENT FEATURE FOR 18 & 20AWG  
QTY = TOTAL No. CONTACTS  
(SEE ORDER CODE)

PART No.: M300-1020045



IDENT FEATURE FOR 22 AWG  
QTY = TOTAL No. CONTACTS  
(SEE ORDER CODE)

JD	2	27.02.25	35791
NAME	ISS.	DATE	CN/CO
APPROVED:		J.DEAN	
CHECKED:		R.PORTLOCK	
DRAWN:		F.CHRISPINE	

**HARWIN**

www.harwin.com

TOLERANCES  
X. = ±1mm  
X.X = ±0.50mm  
X.XX = ±0.20mm  
X.XXX = ±0.01mm  
ANGLES = ±5°  
UNLESS STATED

THIS DRAWING AND ANY INFORMATION OR DESCRIPTIVE MATTER SET OUT HEREON ARE CONFIDENTIAL AND COPYRIGHT PROPERTY OF THE HARWIN GROUP AND MUST NOT BE DISCLOSED, LOANED, COPIED OR USED FOR MANUFACTURING, TENDERING OR FOR ANY OTHER PURPOSE WITHOUT THEIR WRITTEN PERMISSION.

MATERIAL & FINISH:  
  
SEE SHEET 5

TITLE:  
**M300 SINGLE ENDED CABLE ASSEMBLY**

DRAWING NUMBER:  
**M300-XCXXXXXXXX-XXXXLXX**

SHT  
8  
OF  
8