

# Customer Information Sheet

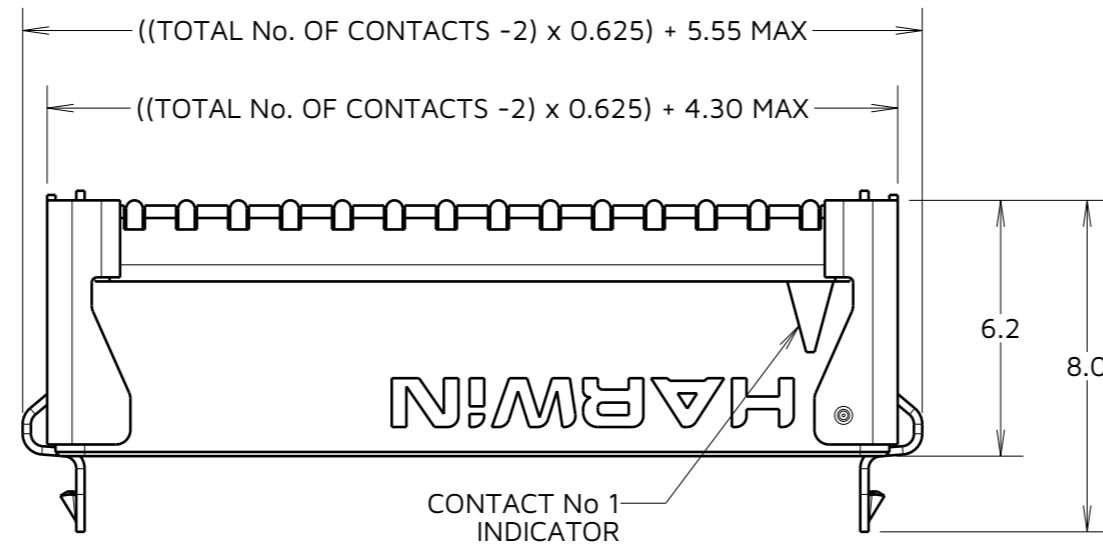
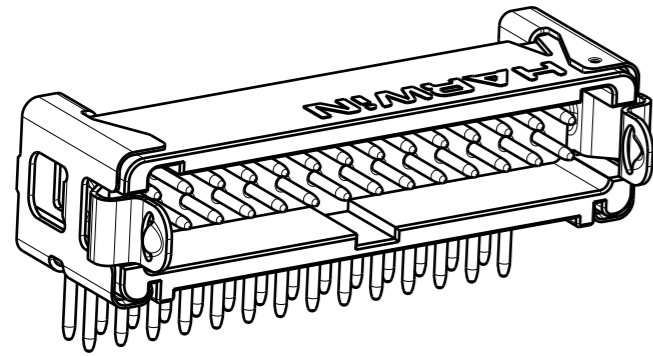
IF IN DOUBT - ASK

©

NOT TO SCALE

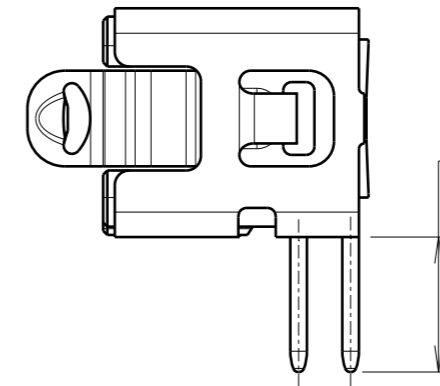
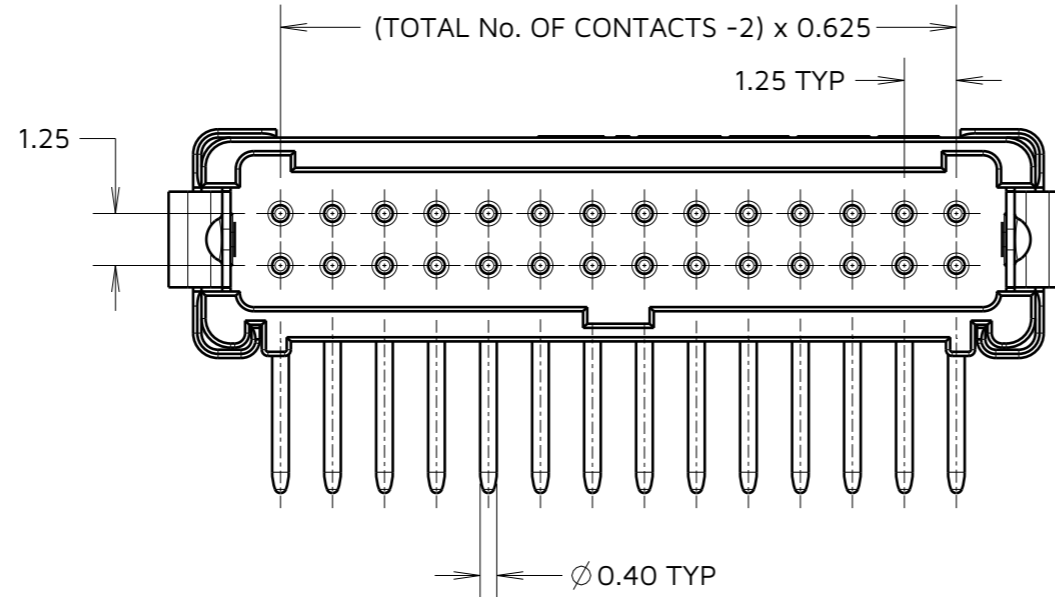
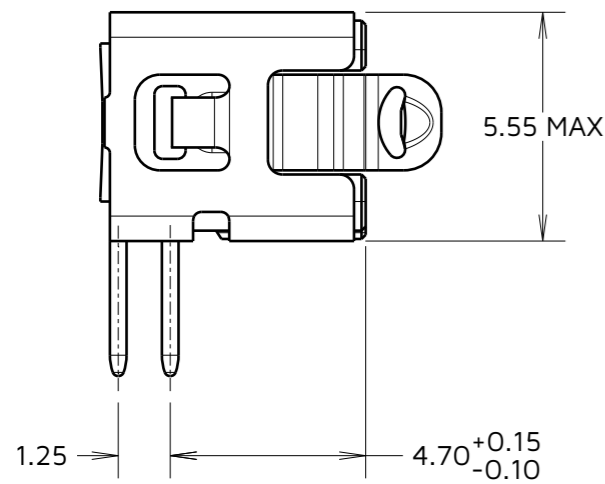
THIRD ANGLE PROJECTION

ALL DIMENSIONS IN mm



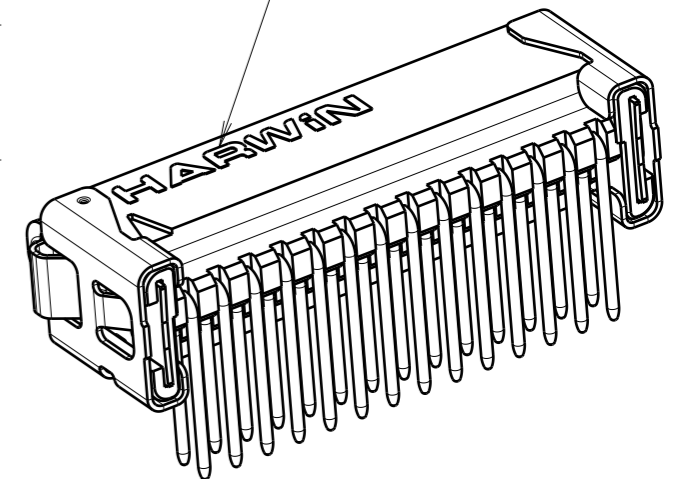
ORDER CODE:  
**G125-MHXXX05L3R**  
 3.2mm PC-TAILS = H1  
 4.7mm PC-TAILS = H2  
 TOTAL No. OF CONTACTS  
 06, 10, 12, 16, 20,  
 26, 34, 50.

CONTACT STYLE	DIM 'Z'
H1	3.2±0.15
H2	4.7±0.15

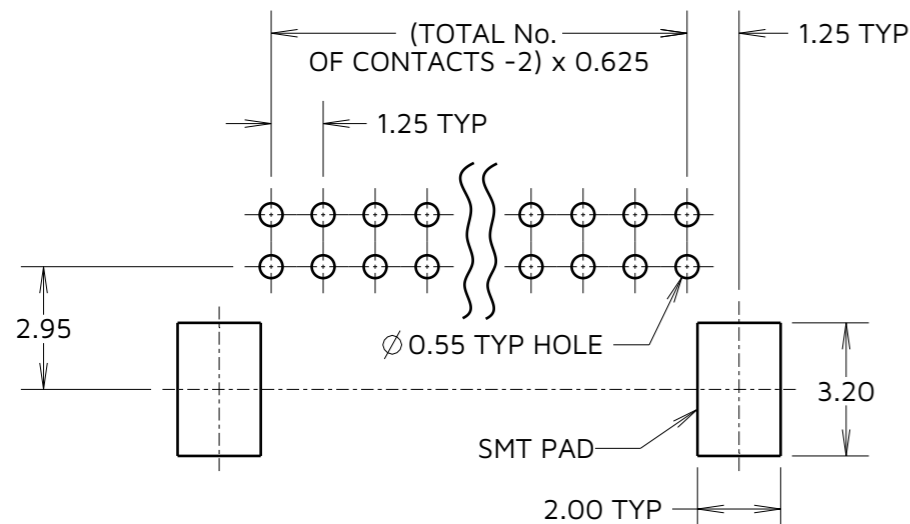


DIM 'Z'  
SEE TABLE

FULL LOGO ONLY  
 ON 20 TO 50 WAY.  
 'H' ON 6 & 10 WAY.  
 'HWN' ON 12 & 16 WAY.



RECOMMENDED PCB LAYOUT  
 TOLERANCE = ±0.05mm



CONNECTOR DETAILS AND PCB LAYOUT ONLY.  
 SEE SHEET 6 FOR TAPE AND REEL DETAILS.

NOTES:  
 1. FOR COMPLETE SPECIFICATION, SEE COMPONENT SPECIFICATION C125XX (LATEST ISSUE).

MGP	5	19.07.23	32768
NAME	ISS.	DATE	CN/CO
APPROVED: MGP			
CHECKED: RTP			
DRAWN: MARK G PLESTED			
ASSEMBLY DRG:			

**HARWIN**

www.harwin.com

TOLERANCES  
 X. = ±1mm  
 X.X = ±0.50mm  
 X.XX = ±0.20mm  
 X.XXX = ±0.01mm  
 ANGLES = ±5°  
 UNLESS STATED

THIS DRAWING AND ANY INFORMATION OR DESCRIPTIVE MATTER SET OUT HEREON ARE CONFIDENTIAL AND COPYRIGHT PROPERTY OF THE HARWIN GROUP AND MUST NOT BE DISCLOSED, LOANED, COPIED OR USED FOR MANUFACTURING, TENDERING OR FOR ANY OTHER PURPOSE WITHOUT THEIR WRITTEN PERMISSION.

MATERIAL:  
 SEE NOTE 1

TITLE:  
**G125 MALE HORIZONTAL PC TAIL  
 SERIES IN TAPE & REEL**

DRAWING NUMBER:  
**G125-MHXXX05L3R**

SHT  
 5  
 OF  
 6

# Customer Information Sheet

IF IN DOUBT - ASK

©

NOT TO SCALE

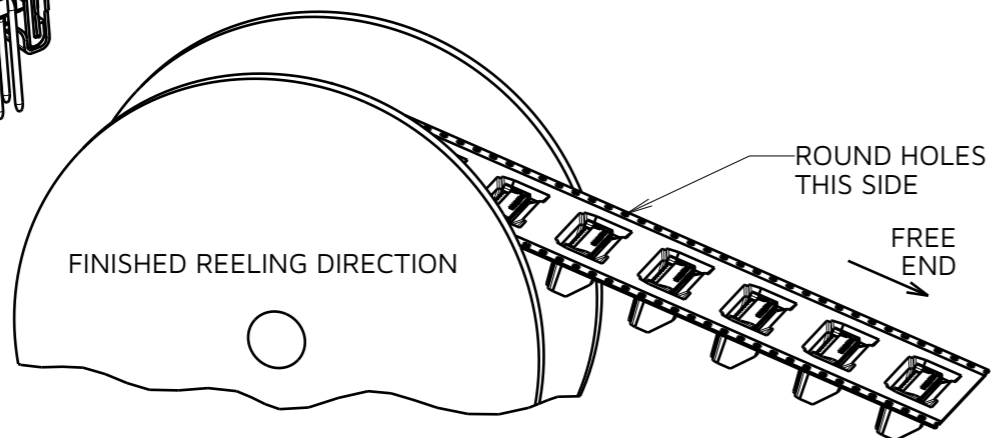
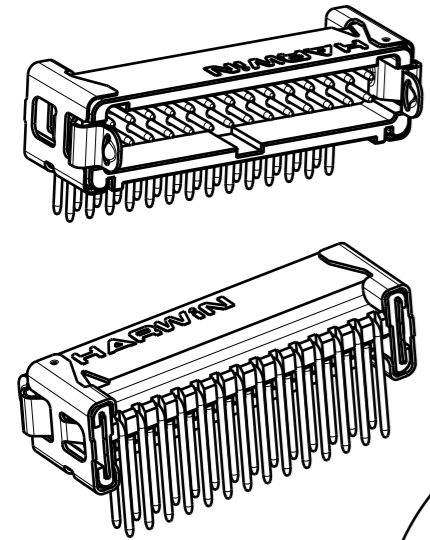
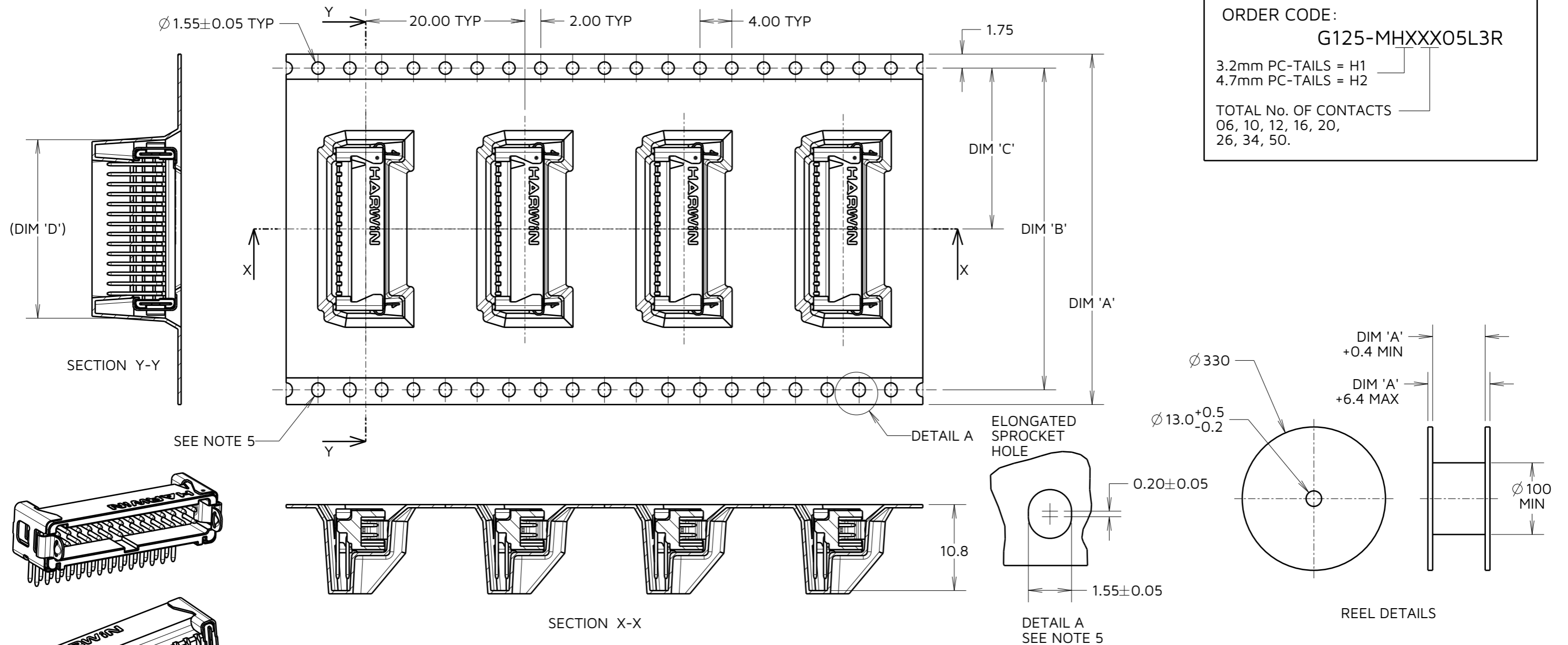
THIRD ANGLE PROJECTION

ALL DIMENSIONS IN mm

ORDER CODE:  
G125-MHXXX05L3R

3.2mm PC-TAILS = H1  
4.7mm PC-TAILS = H2

TOTAL No. OF CONTACTS  
06, 10, 12, 16, 20,  
26, 34, 50.



PART No.	DIM 'A'	DIM 'B'	DIM 'C'	DIM 'D'
G125-MHX0605L3R	24.0 +0.3/-0.1	NO ELONGATED HOLE	11.50	8.5
G125-MHX1005L3R				11.0
G125-MHX1205L3R	32.0±0.3	28.40	14.20	12.2
G125-MHX1605L3R				14.7
G125-MHX2005L3R	44.0±0.3	40.40	20.2±0.15	17.2
G125-MHX2605L3R				21.0
G125-MHX3405L3R	56.0±0.3	52.40	26.2±0.15	26.0
G125-MHX5005L3R				36.0

- NOTES:
- QUANTITY OF COMPONENTS PER REEL = 250.
  - FOR OTHER QUANTITIES SEE G125-MHXXX05L3P.
  - THIS PRODUCT IS TAPED AND REELED IN GENERAL ACCORDANCE WITH EIA-481-2-A (ELECTRONIC INDUSTRIES ASSOCIATION).
  - FOR COMPLETE SPECIFICATION, SEE COMPONENT SPECIFICATION C125XX (LATEST ISSUE).
  - ELONGATED SPROCKET HOLE NOT PRESENT ON 06 & 10 POSITIONS.
  - SEE SHEET 5 FOR CONNECTOR DETAILS.

**HARWIN**  
www.harwin.com

TOLERANCES  
X. = ±1mm  
X.X = ±0.50mm  
X.XX = ±0.20mm  
X.XXX = ±0.01mm  
ANGLES = ±5°  
UNLESS STATED

THIS DRAWING AND ANY INFORMATION OR DESCRIPTIVE MATTER SET OUT HEREON ARE CONFIDENTIAL AND COPYRIGHT PROPERTY OF THE HARWIN GROUP AND MUST NOT BE DISCLOSED, LOANED, COPIED OR USED FOR MANUFACTURING, TENDERING OR FOR ANY OTHER PURPOSE WITHOUT THEIR WRITTEN PERMISSION.

MATERIAL:  
SEE SHEET 5

TITLE:  
G125 MALE HORIZONTAL PC TAIL SERIES IN TAPE & REEL  
DRAWING NUMBER:  
G125-MHXXX05L3R  
SHT 6 OF 6

MGP	5	19.07.23	32768
NAME	ISS.	DATE	CN/CO
APPROVED: MGP			
CHECKED: RTP			
DRAWN: MARK G PLESTED			
ASSEMBLY DRG:			