

## HAND ASSEMBLY TOOL Z1001-00

This Hand Assembly Tool has been designed for use with PTFE Feed-Through Terminal W2222-00.

### ASSEMBLY PROCEDURE

1. Check that the un-assembled product W2222-00 is ready for assembly, as shown in Figure 1.
2. Insert the Terminal into the board as shown in Figure 2. Make sure that the underside of the board is supported, as close to the Terminal as possible.
3. Locate the Hand Tool over the top of the Terminal, and push down firmly in the vertical direction, as shown in Figure 3. When fully assembled, the Terminal should meet the dimensions shown in Figure 4.

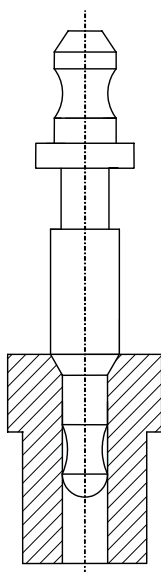


Figure 1

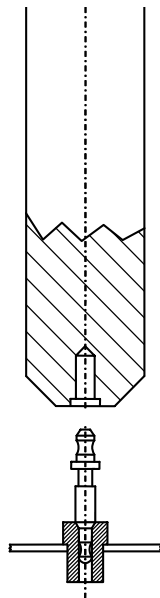


Figure 2

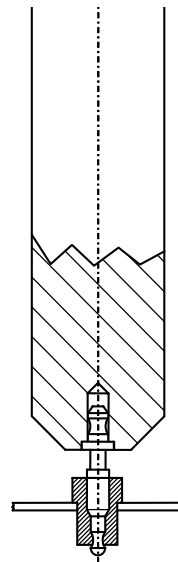


Figure 3

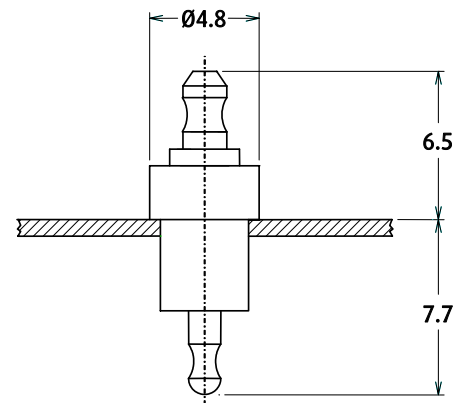


Figure 4

### SPECIFICATIONS FOR W2222-00:

Current Rating .....	5A
Test Voltage .....	5kV
Max. Temperature Rating.....	200°C
Mounting Hole .....	Ø3.96mm
Panel Thickness.....	0.72-1.6mm