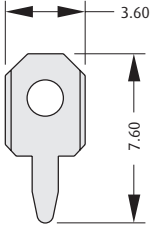
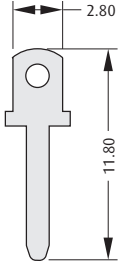
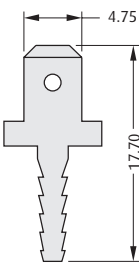
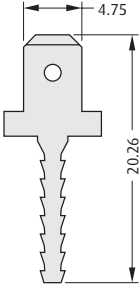
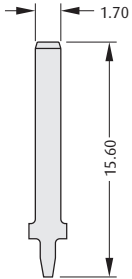
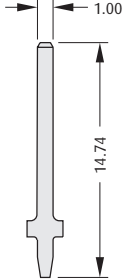
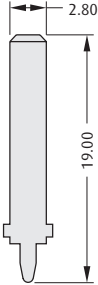
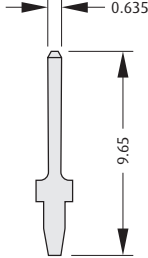
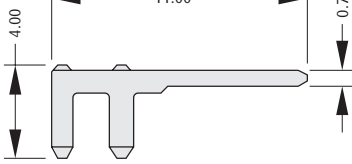
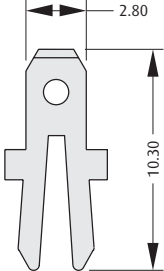
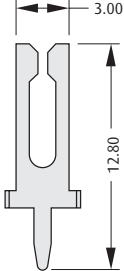


PCB Terminals

Blade Terminals

TEST POINT	BOBBIN
 <p>S424-XX</p>	 <p>S440-XX</p>
 <p>S485-XX</p>	 <p>S486-XX</p>

AUTOMOTIVE			
 <p>S418-XX</p>	 <p>S419-XX</p>	 <p>S423-XX</p>	 <p>S470-XX</p>



SPECIAL APPLICATIONS		
 <p>S481-XX</p>	 <p>S417-XX</p>	 <p>S422-XX</p>

RECOMMENDED PCB THICKNESS			
S440-XX	6mm Max	S417-XX	2.4mm Max
Others	1.6mm	S422-XX	2.4mm Max

RECOMMENDED PCB HOLE SIZE			
S424-XX	Ø1.25mm	S440-XX	Ø1.35mm
S481-XX	1.00mm	S417-XX	2.80 x 1.00mm
S485-XX	2.40mm	Others	1.02mm
S486-XX	2.40mm		

HOW TO ORDER

S XXX - XX

SERIES CODE	_____	FINISH	_____
TYPE (See table above)	_____	06	Tin/Lead 
		46	Tin 

www.harwin.com

All dimensions in mm.

