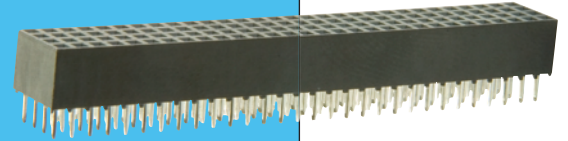


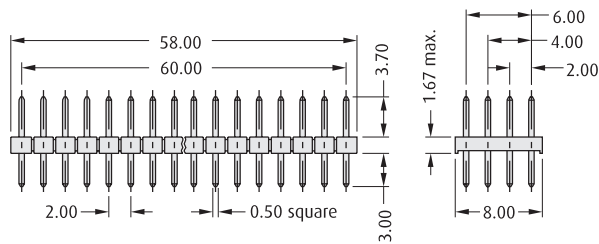
PC/104 Plus Connectors

Accessories

- ❖ Accessory connectors and components for use with the PC/104 Plus range.
- ❖ Shroud is used to protect the square tails of stackthrough connectors and is fitted to the underside of the PCB following soldering.
- ❖ Shroud ensures alignment of the tails with the mating receptacle and self retains by latching into the four mounting holes.

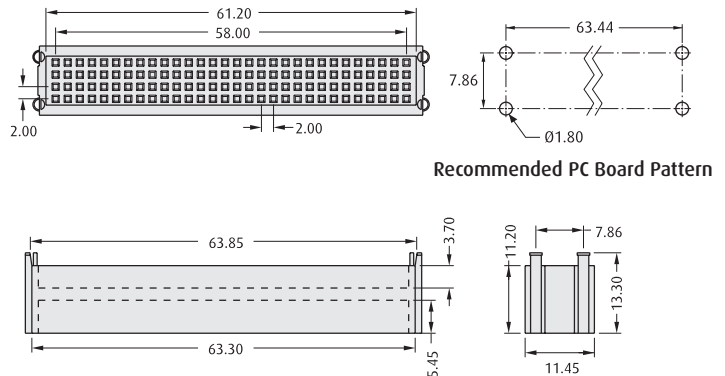


PC/104 PLUS POST HEADER

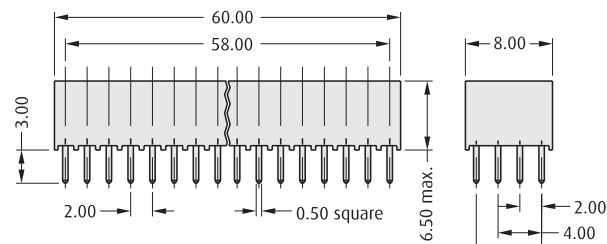


See previous page for pcb layout

PC/104 PLUS SHROUD

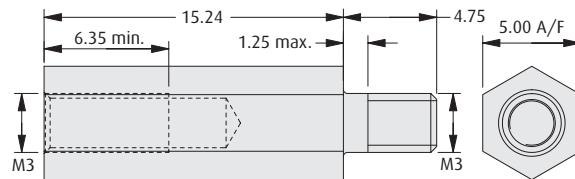


PC/104 PLUS POST HEADER RECEPTACLE



See previous page for pcb layout

PC/104 SPACER



ORDER CODE

R6104-02

HOW TO ORDER

M22 - 60 X 30 XX

SERIES CODE

CONNECTOR TYPE

2	Post Header
3	Post Receptacle
4	Shroud

FINISH

42	Gold + Tin (M22-602, 603)	Ⓟ
98	Shroud (M22-604)	Ⓟ

NO. OF WAYS PER ROW

30

All dimensions in mm.

www.harwin.com

