

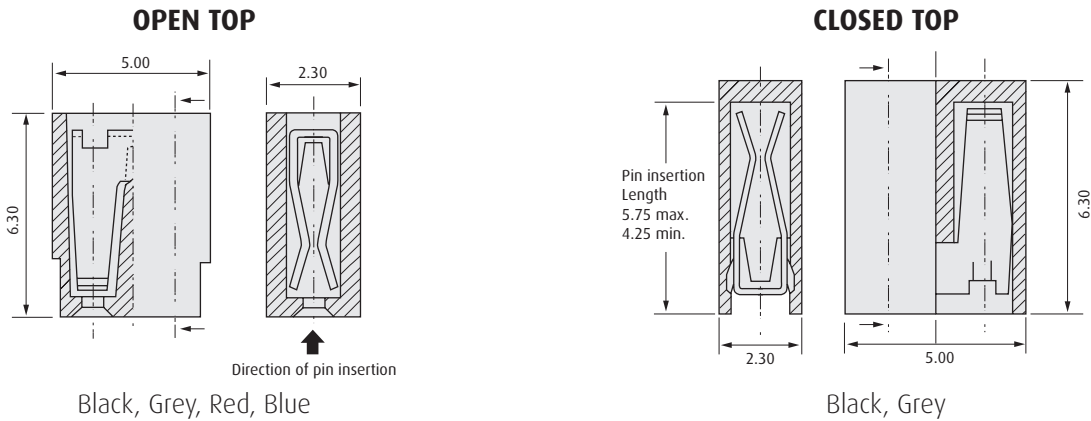


M20 Connectors Jumper Sockets

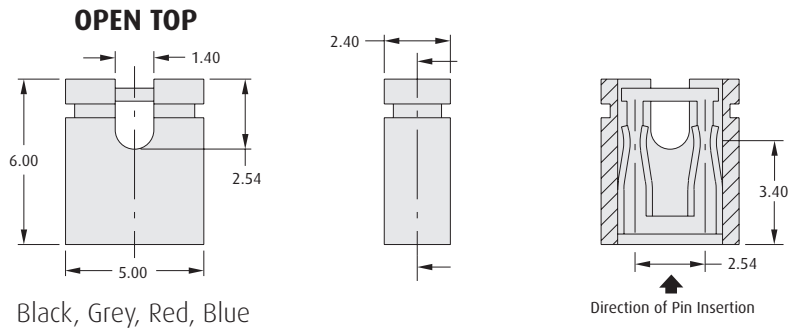
- ❖ Suitable for use with pin headers shown on pages 127 to 134.
- ❖ Can be fitted by hand, giving an alternative on-board programming method to DIP switches.
- ❖ Open top for use with test probes.
- ❖ End and side stackable.
- ❖ Choice of colours available.
- ❖ Multi-usage socket provides up to 300 operations (Gold).
- ❖ Twin beam contact for cost-effective reliability.

2.54mm (.100") PITCH

HIGH REL, MULTI-USAGE



HIGH FORCE, SINGLE OPERATION



HOW TO ORDER

M7 X XX - XX

SERIES CODE

TYPE

5	Open Top
7	Closed Top

HIGH REL		SINGLE OPERATION	
65	Grey	80	Grey
66	Red	81	Red
67	Black	82	Black
71	Blue	83	Blue

FINISH

05	Gold	
46	Tin	

www.harwin.com

All dimensions in mm.

