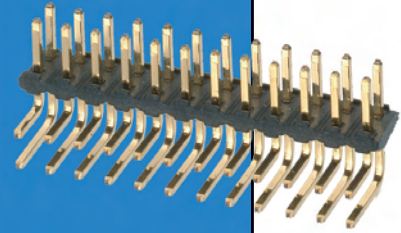


M22 Connectors

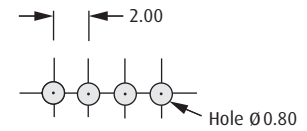
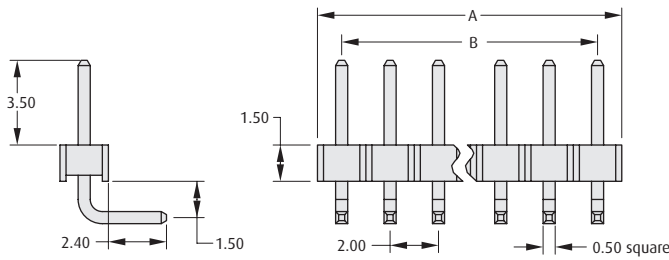
Male Horizontal PC Tail

- ❖ Suitable for use with female connectors shown on page 104 to 107.
- ❖ Pin headers can be cut into smaller sizes.
- ❖ For alternative pin lengths, see pin header variants on page 116.
- ❖ Please contact technical@harwin.com for sizes above 25 ways per row, up to 50 ways per row.



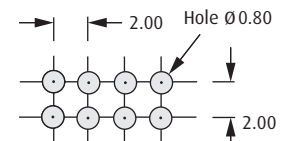
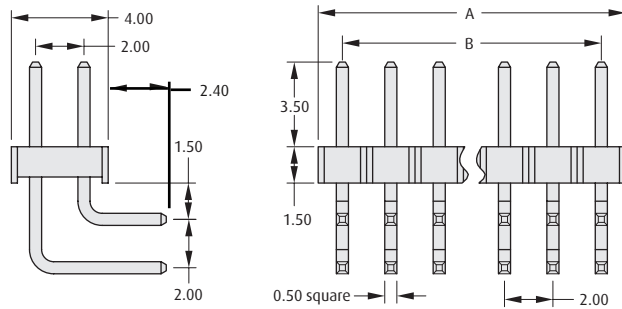
2mm (.080") PITCH

SINGLE ROW



Recommended PC Board Pattern

DOUBLE ROW



Recommended PC Board Pattern

CALCULATION

A	2.00 x No. of ways per row
B	2.00 x (No. of ways per row - 1)

HOW TO ORDER

M22 - 25 X XX XX

SERIES CODE

CONNECTOR TYPE

3	Single Row
4	Double Row

NO. OF WAYS PER ROW

02 to 25

FINISH

05	Gold	Ⓟ
46	Tin	Ⓟ

All dimensions in mm.

www.harwin.com

