

Customer Information Sheet

DRAWING No.: Z80-299

SHEET 2 OF 2

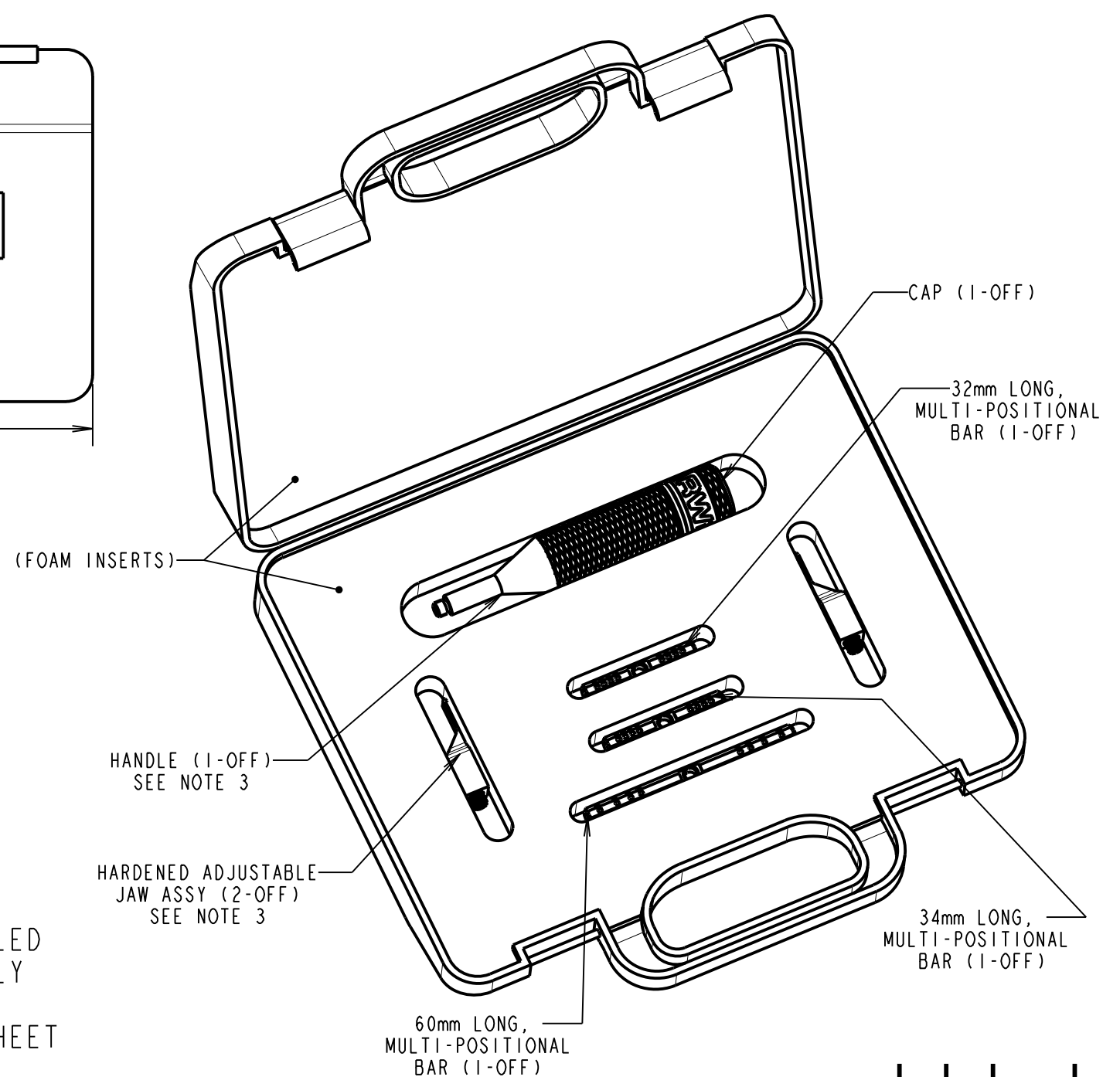
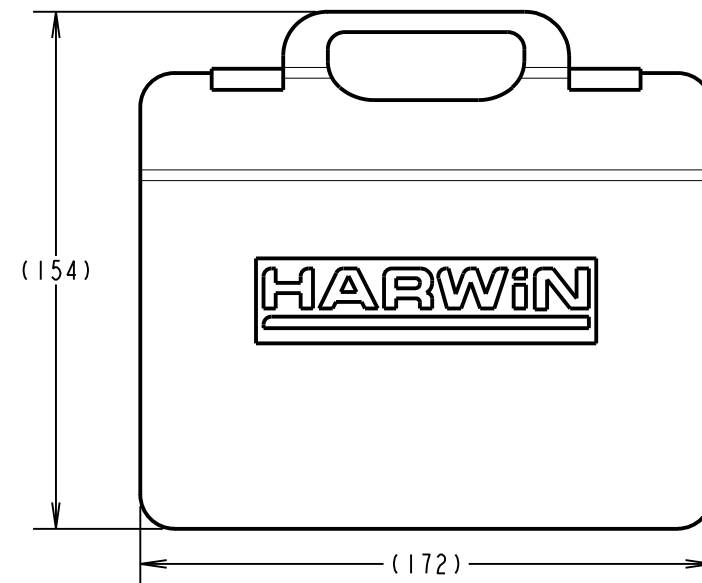
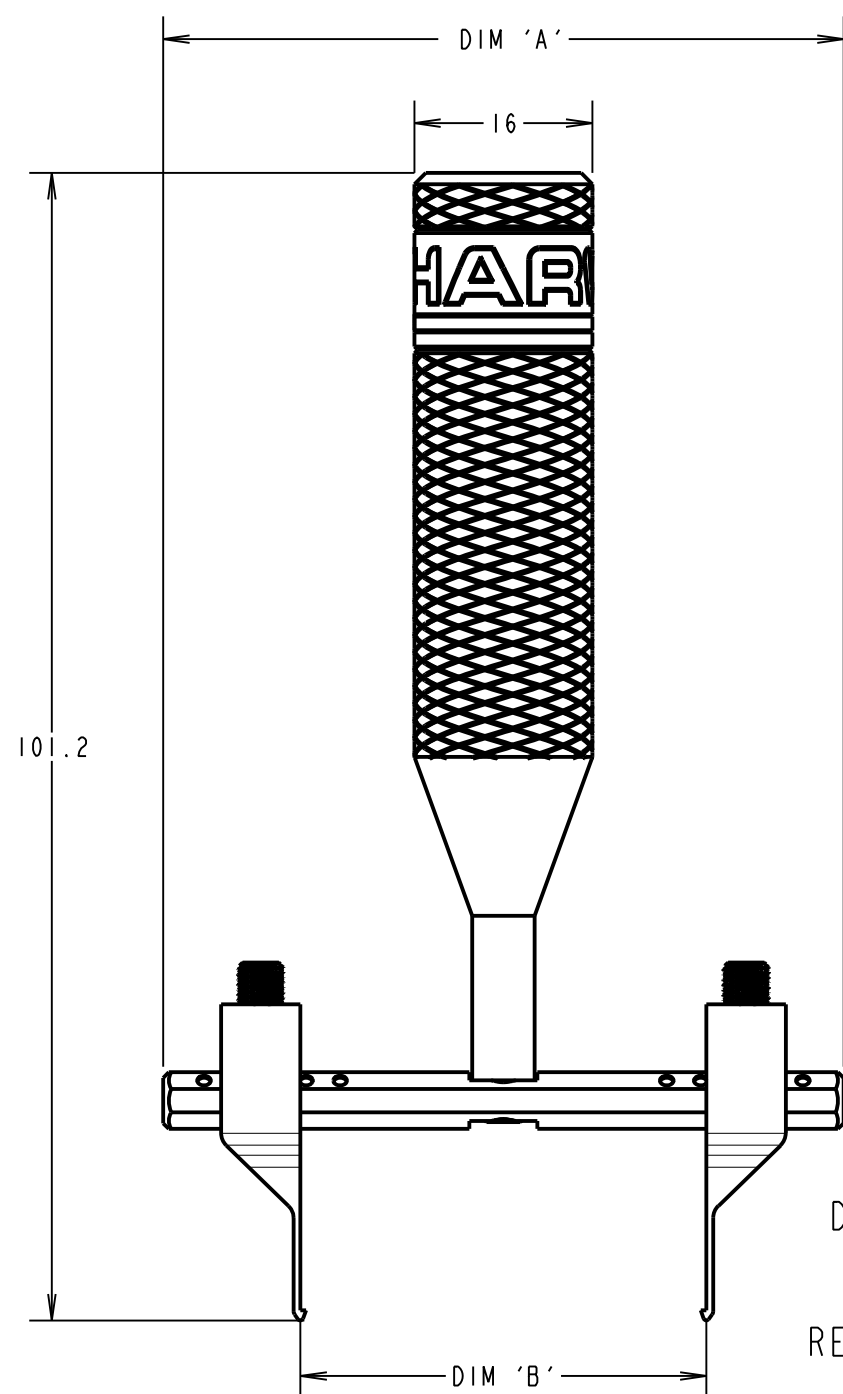
IF IN DOUBT - ASK

©

NOT TO SCALE

THIRD ANGLE PROJECTION

ALL DIMENSIONS IN mm



SUPPLIED AS A KIT IN A CASE,
DE-LATCHING TOOL SHOWN ASSEMBLED
FOR ILLUSTRATION PURPOSES ONLY

REFER TO TOOLING INSTRUCTION SHEET
IS-30 PRIOR TO USE.

DIM 'A'	DIM 'B'
60.0	21.80, 27.80, 35.80, 45.80
34.0	7.80, 11.80, 15.80, 19.80
32.0	5.80, 9.80, 13.80, 17.80

NOTES:

1. INSTRUCTION SHEETS ARE AVAILABLE FOR THIS TOOL. REFER TO TOOLING INSTRUCTION SHEET IS-30 FOR MORE INFORMATION.
2. ANY PARTS REQUIRED TO BE SCREWED TOGETHER, MUST ONLY BE HAND TIGHTENED.
3. HANDLE WITH CARE. WHEN NOT IN USE STORE ADJUSTABLE JAWS IN HANDLE OR CASE.
4. FOR REPLACEMENT PARTS REFER TO TOOLING INSTRUCTION SHEET IS-30 FOR FURTHER DETAILS AND PART NUMBERS.

SF	4	18.10.11	11495
NAME	ISS.	DATE	C/NOTE
APPROVED: S.FLOWER			
CHECKED: R.ADDE			
DRAWN: S.FLOWER			
CUSTOMER REF.:			
ASSEMBLY DRG:			

HARWIN			THIS DRAWING AND ANY INFORMATION OR DESCRIPTIVE MATTER SET OUT HEREON ARE CONFIDENTIAL AND COPYRIGHT PROPERTY OF THE HARWIN GROUP AND MUST NOT BE DISCLOSED, LOANED, COPIED OR USED FOR MANUFACTURING, TENDERING OR FOR ANY OTHER PURPOSE WITHOUT THEIR WRITTEN PERMISSION.	TOLERANCES X. = ±1mm X.X = ±0.25mm X.XX = ±0.10mm X.XXX = ±0.01mm ANGLES = ±5° UNLESS STATED	MATERIAL: SEE ABOVE	TITLE: DATAMATE L-TEK DE-LATCHING TOOL WITH STORAGE CASE
HARWIN USA TEL: 603 893 5376 FAX: 603 893 5396 mis@harwin.com	HARWIN Europe (UK) TEL: 023 9231 4545 FAX: 023 9231 4590 mis@harwin.co.uk	HARWIN Asia TEL: +65 6 779 4909 FAX: +65 6 779 3868 mis@harwin.com.sg		FINISH: CLEAN S/AREA: mm ²	DRAWING NUMBER: Z80-299	SHT 2 OF 2