

# Customer Information Sheet

DRAWING No.: S1791-42R

SHEET 2 OF 2

IF IN DOUBT - ASK

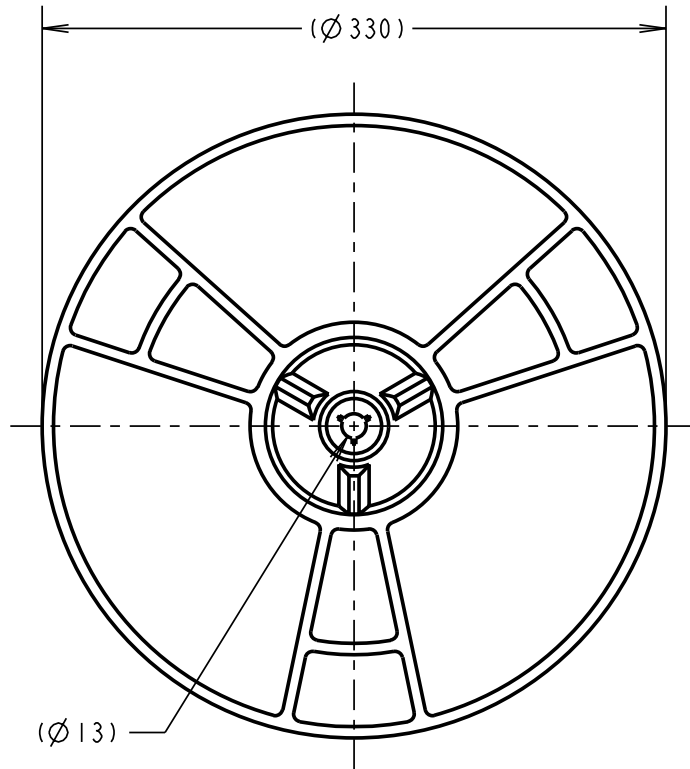
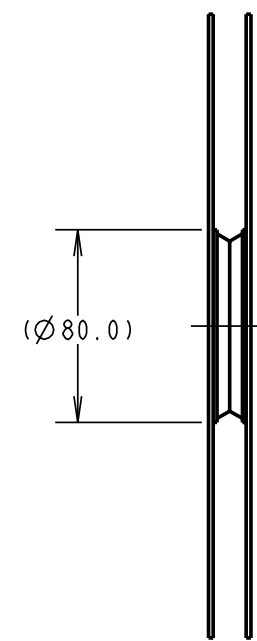
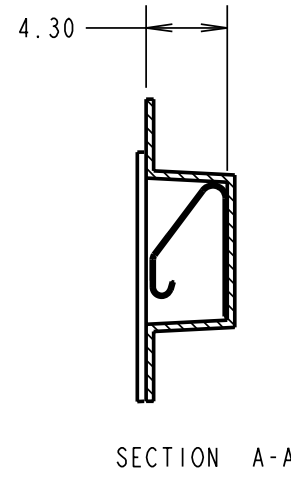
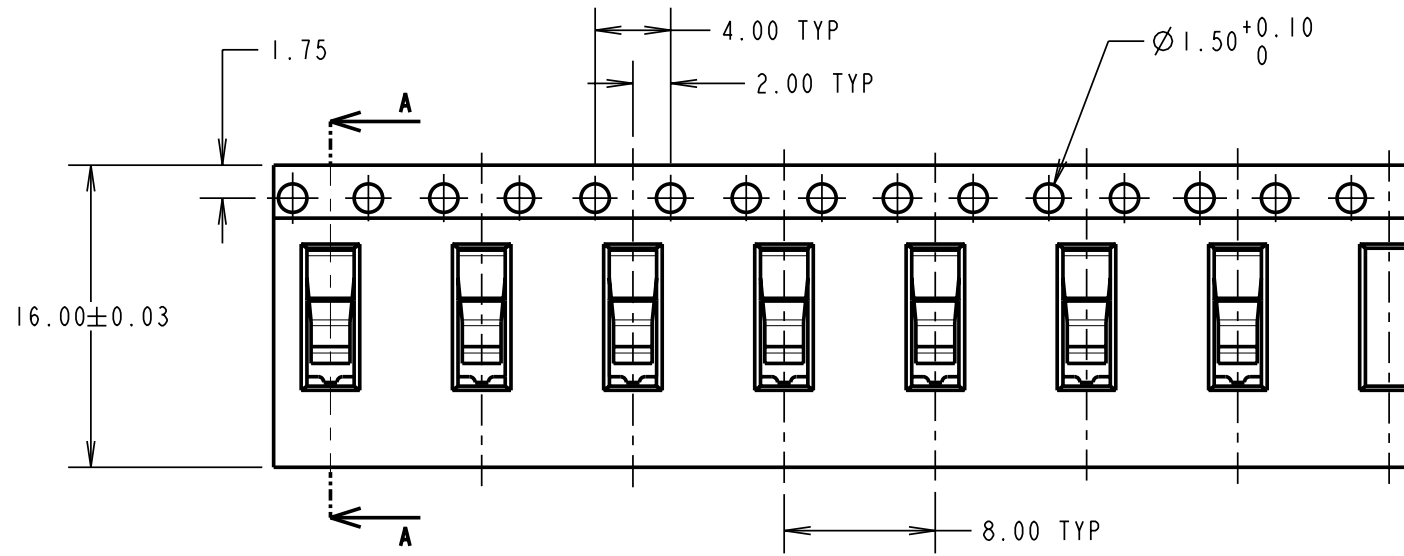
©

NOT TO SCALE

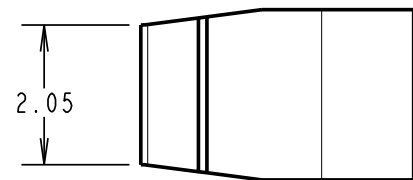
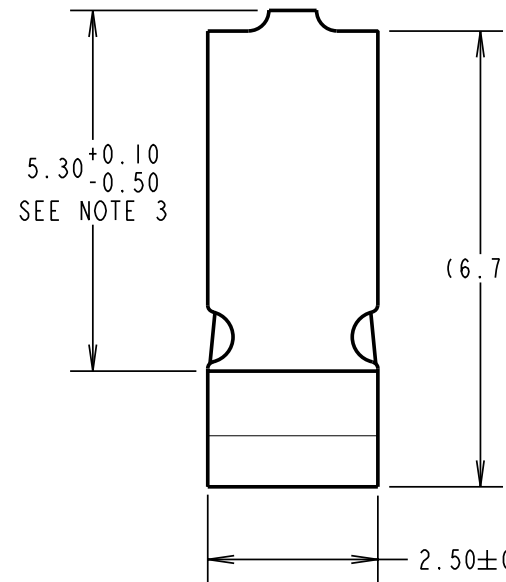
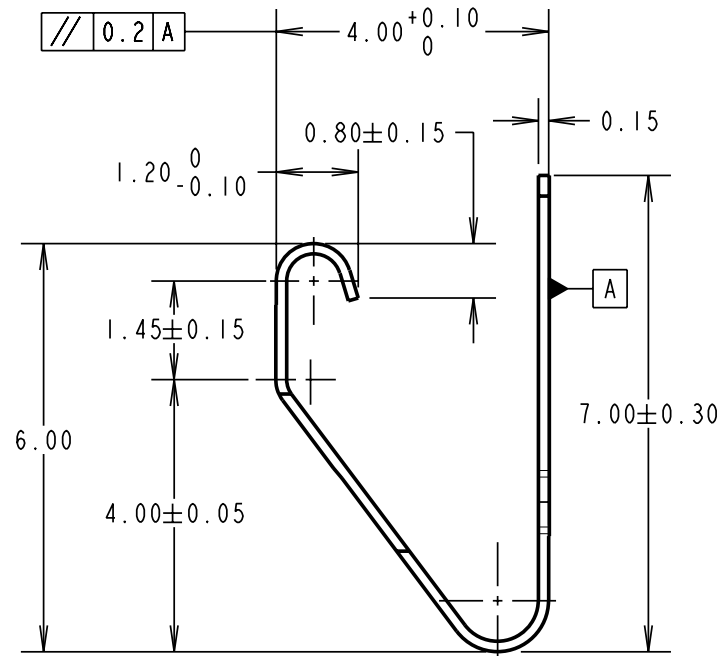
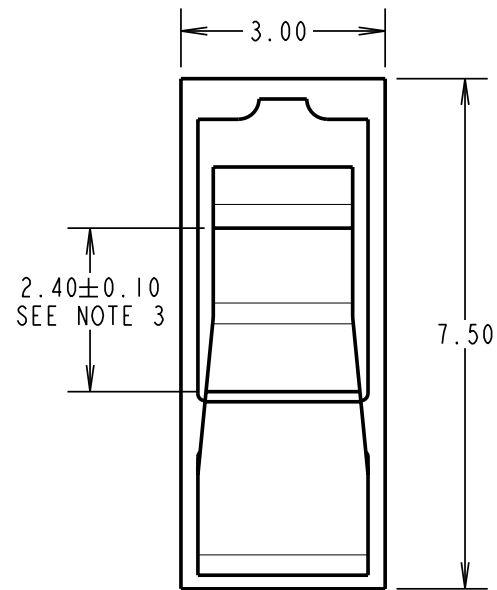
THIRD ANGLE PROJECTION

ALL DIMENSIONS IN mm

## TAPE DIMENSIONS

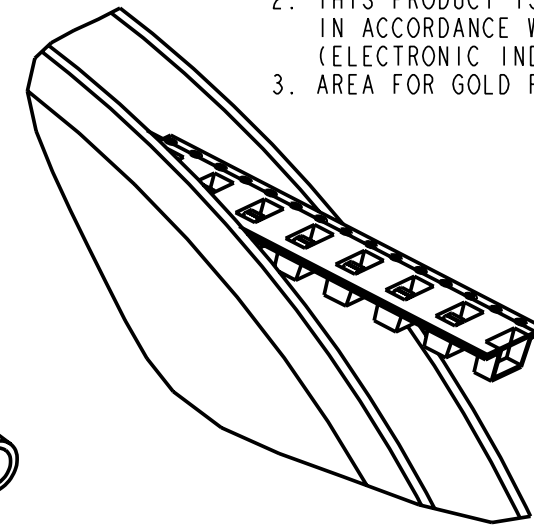


## RECOMMENDED PAD LAYOUT



## SINGLE COMPONENT DRAWINGS

- NOTES:
1. QUANTITY PER REEL = 2000
  2. THIS PRODUCT IS TAPED AND REELED IN ACCORDANCE WITH EIA-481 (ELECTRONIC INDUSTRIES ASSOCIATION).
  3. AREA FOR GOLD PLATE.



## REELING DIRECTION

## COMPONENT SPECIFICATION

MATERIAL = TITANIUM COPPER ALLOY,  
0.15 ± 0.01 mm THICK  
FINISH = 0.76 μ - 1.27 μ NICKEL, 0.05 μ MIN FLASH  
ON CONTACT AND FOOT AREA.

**HARWIN**

HARWIN USA TEL: 603 893 5376 FAX: 603 893 5396 mis@harwin.com	HARWIN Europe (UK) TEL: 023 9231 4545 FAX: 023 9231 4590 mis@harwin.co.uk	HARWIN Asia TEL: +65 6 779 4909 FAX: +65 6 779 3868 mis@harwin.com.sg
--	--	--

THIS DRAWING AND ANY INFORMATION OR DESCRIPTIVE MATTER SET OUT HEREON ARE CONFIDENTIAL AND COPYRIGHT PROPERTY OF THE HARWIN GROUP AND MUST NOT BE DISCLOSED, LOANED, COPIED OR USED FOR MANUFACTURING, TENDERING OR FOR ANY OTHER PURPOSE WITHOUT THEIR WRITTEN PERMISSION.

TOLERANCES  
X. = ±1mm  
X.X = ±0.25mm  
X.XX = ±0.10mm  
X.XXX = ±0.01mm  
ANGLES = ±5°  
UNLESS STATED

MATERIAL: SEE ABOVE  
FINISH: SEE ABOVE  
S/AREA: mm<sup>2</sup>

TITLE: S1791-42 EMI SHIELD FINGER IN TAPE AND REEL  
DRAWING NUMBER: S1791-42R  
SHT 2 OF 2

RA	3	17.09.07	9864
NAME	ISS.	DATE	C/NOTE
APPROVED: R. ADDE			
CHECKED: B.M. KENT			
DRAWN: N. CODLING			
CUSTOMER REF.:			
ASSEMBLY DRG:			