

# Customer Information Sheet

DRAWING No.: S1721-XXR

SHEET 2 OF 2

IF IN DOUBT - ASK

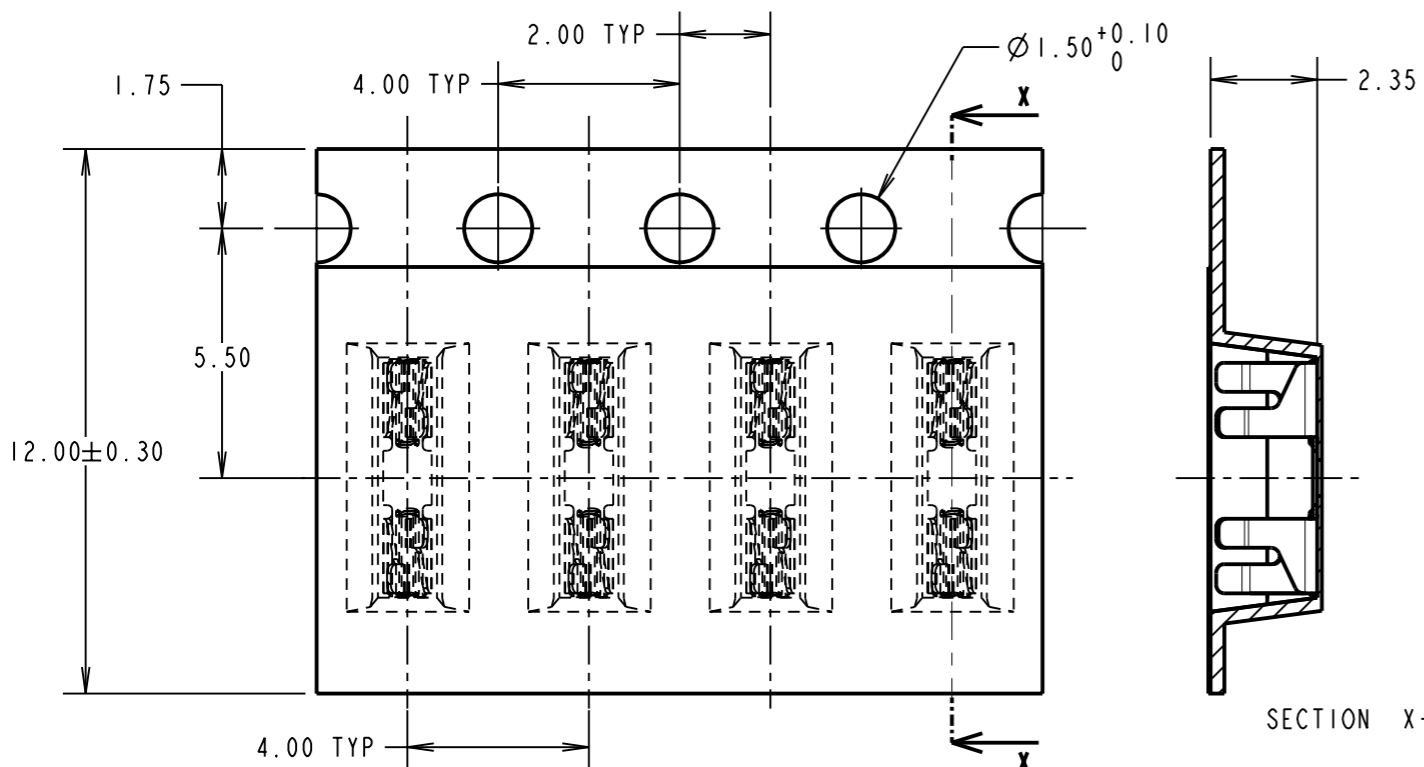
Ⓢ

NOT TO SCALE

THIRD ANGLE PROJECTION

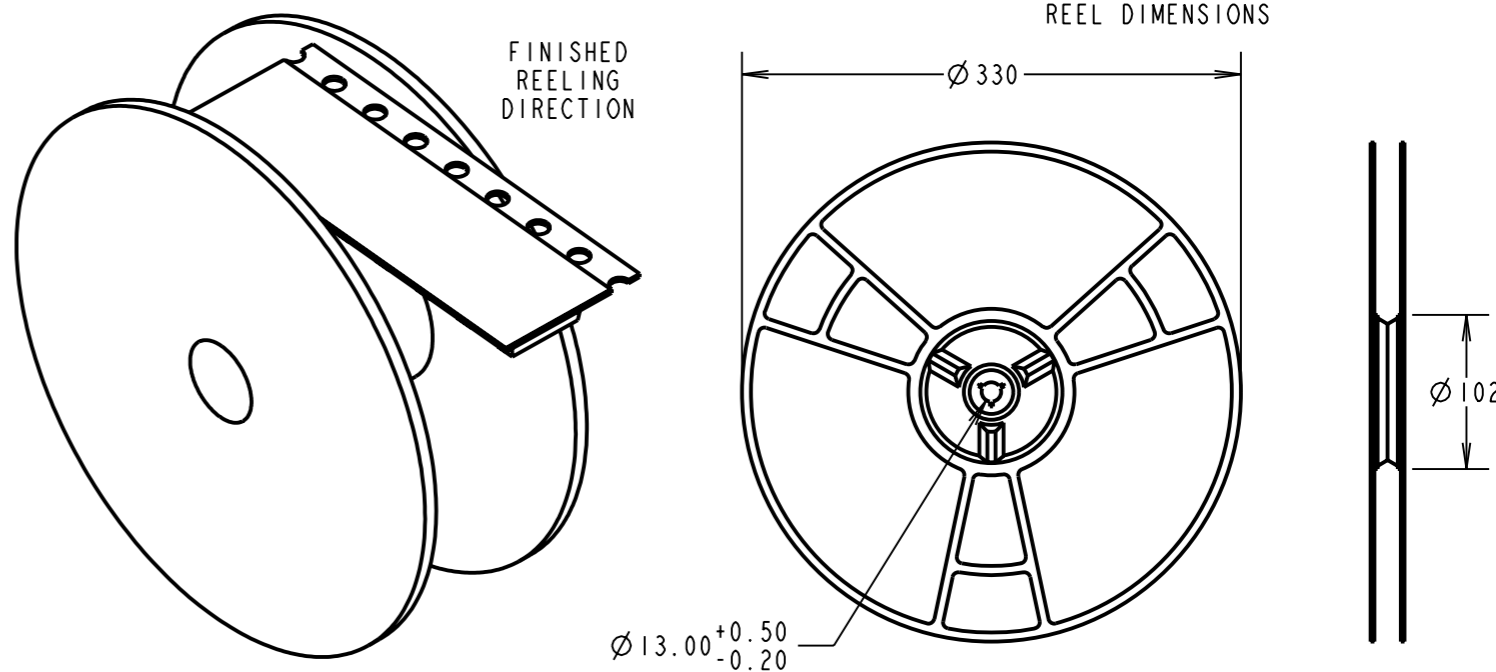
ALL DIMENSIONS IN mm

TAPE DIMENSIONS

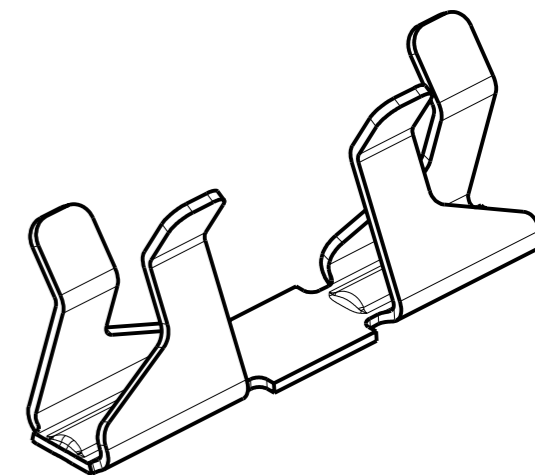
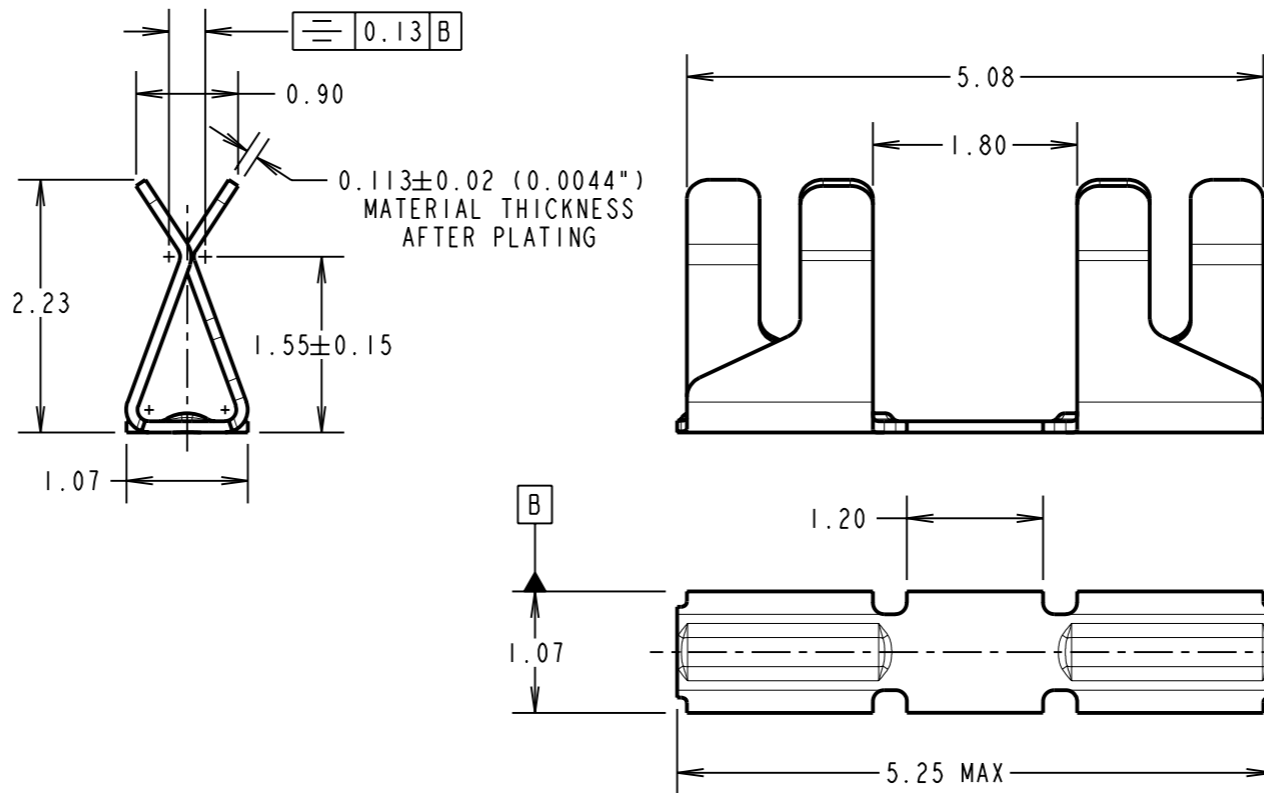


SECTION X-X

REEL DIMENSIONS



SINGLE COMPONENT DIMENSIONS

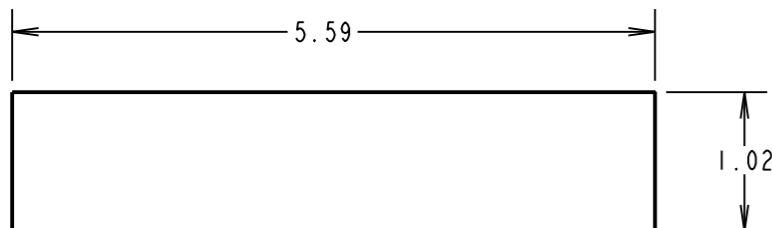


- NOTES:  
 1. QUANTITY PER REEL = 5,000  
 2. THIS PRODUCT IS TAPED AND REELED IN ACCORDANCE WITH EIA-481 (ELECTRONIC INDUSTRIES ASSOCIATION).

COMPONENT SPECIFICATION:  
 MATERIAL = BERYLLIUM COPPER  
 FINISH:  
 06 = 3μ 90/10 TIN/LEAD  
 46 = 3μ 100% TIN, OVER  
 2.0μ NICKEL  
 SHIELD THICKNESS = 0.13-0.23mm

PERFORMANCE SPECIFICATION:  
 ENGAGEMENT FORCE = 5N MAX.  
 DISENGAGEMENT FORCE = 0.35N MIN.  
 DURABILITY = 15 ACTUATIONS MIN.  
 CONTACT RESISTANCE = 40mΩ MAX.

RECOMMENDED PAD LAYOUT



RA	5	06.07.10	10860
NAME	ISS.	DATE	C/NOTE
APPROVED:		R. ADDE	
CHECKED:		M.G. PLESTED	
DRAWN:		M. G. PLESTED	
CUSTOMER REF.:			
ASSEMBLY DRG:			

ORDER CODE:	FINISH:
S1721-06R	TIN/LEAD
S1721-46R	100% TIN

<b>HARWIN</b>			THIS DRAWING AND ANY INFORMATION OR DESCRIPTIVE MATTER SET OUT HEREON ARE CONFIDENTIAL AND COPYRIGHT PROPERTY OF THE HARWIN GROUP AND MUST NOT BE DISCLOSED, LOANED, COPIED OR USED FOR MANUFACTURING, TENDERING OR FOR ANY OTHER PURPOSE WITHOUT THEIR WRITTEN PERMISSION.	TOLERANCES X. = ±1mm X.X = ±0.25mm X.XX = ±0.10mm X.XXX = ±0.01mm  ANGLES = ±5° UNLESS STATED	MATERIAL:  SEE ABOVE	TITLE: MINI SMT RFI SHIELD CLIP IN TAPE AND REEL
HARWIN USA TEL: 603 893 5376 FAX: 603 893 5396 mis@harwin.com	HARWIN Europe (UK) TEL: 023 9231 4545 FAX: 023 9231 4590 mis@harwin.co.uk	HARWIN Asia TEL: +65 6 779 4909 FAX: +65 6 779 3868 mis@harwin.com.sg				
					FINISH:	DRAWING NUMBER:
					S/AREA:	<b>S1721-XXR</b>
					mm <sup>2</sup>	SHT 2 OF 2