

# Customer Information Sheet

DRAWING No.: R6104-XX

SHEET 2 OF 2 IF IN DOUBT - ASK

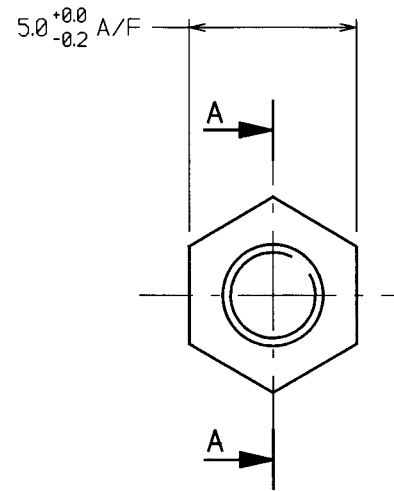
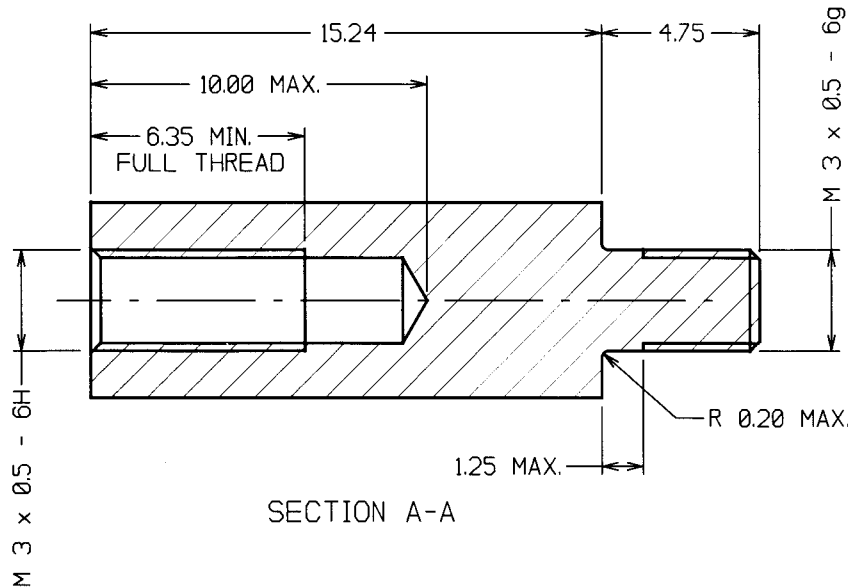
©

NOT TO SCALE

THIRD ANGLE PROJECTION

ALL DIMENSIONS IN mm

ORDER CODE:  
**R6104-XX**  
PLATING FINISH:  
00 - SELF COLOUR  
02 - NICKEL (F0203)



NOTES:

1. REMOVE ALL BURRS.
2. THREADS TO BE MANUFACTURED IN ACCORDANCE WITH BS3643 PT.2 1981.
3. THIS SPACER HAS BEEN SPECIFICALLY DESIGNED FOR USE IN PC104 APPLICATIONS.

3	30.06.00	5345
ISS.	DATE	C/NOTE
APPROVED: <i>[Signature]</i>		
CHECKED: <i>[Signature]</i>		
DRAWN: J. KEIR		
CUSTOMER REF.:		
ASSEMBLY DRG:		

## HARWIN

THIS DRAWING AND ANY INFORMATION OR DESCRIPTIVE MATTER SET OUT HEREON ARE CONFIDENTIAL AND COPYRIGHT PROPERTY OF THE HARWIN GROUP AND MUST NOT BE DISCLOSED, LOANED, COPIED OR USED FOR MANUFACTURING, TENDERING OR FOR ANY OTHER PURPOSE WITHOUT THEIR WRITTEN PERMISSION.

TOLERANCES  
X. = ±1mm  
X.X = ±0.25mm  
X.XX = ±0.10mm  
X.XXX = ±0.01mm  
ANGLES = ±1°  
UNLESS STATED

MATERIAL:  
BRASS CZ121 TO BS2874 (BRM1025)  
FINISH: SEE ABOVE  
S/AREA: 474.7 mm<sup>2</sup>

TITLE:  
M3 HEXAGONAL MALE/FEMALE SPACER (PC104)  
DRAWING NUMBER:  
**R6104-XX**

HARWIN INC U.S.A. TEL: (812) 285 0055 FAX: (812) 285 0056	HARWIN PLC UK. TEL: 023 9231 4545 FAX: 023 9231 4590	HARWIN PTE SINGAPORE TEL: 65 7794909 FAX: 65 7793868
--	---	---