

Customer Information Sheet

DRAWING No.: MMCX-6605

SHEET 2 OF 2

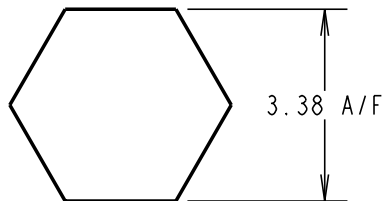
IF IN DOUBT - ASK

©

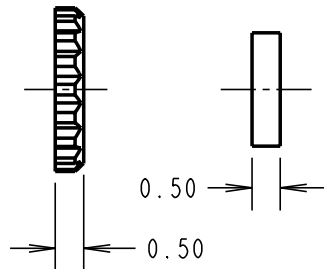
NOT TO SCALE

THIRD ANGLE PROJECTION

ALL DIMENSIONS IN mm



CRIMP SIZE FOR
OUTER SLEEVE



SPECIFICATIONS:

MATERIALS:

BODY, SLEEVE, CENTRE CONTACT, COVER = BRASS
SPRING LATCH = BERYLLIUM COPPER
INSULATOR = TEFLON

FINISH:

BODY, SLEEVE, SPRING LATCH, COVER = 0.1µ MIN GOLD
CENTRE CONTACT = 0.75µ MIN GOLD

ELECTRICAL:

FREQUENCY RANGE = 0 TO 6 GHz
NORMAL IMPEDANCE = 50 OHMS
V.S.W.R. = 1.30 MAX
INSERTION LOSS = 0.3 dB MAX AT 1GHz
OPERATING VOLTAGE = 170V AC MAX
DIELECTRIC STRENGTH = 500V AC MAX
CONTACT RESISTANCE (BODY) = 2.5 mΩ MAX
CONTACT RESISTANCE (CENTRE CONTACT) = 5.0 mΩ MAX
INSULATION RESISTANCE = 1,000 MΩ MIN

ENVIRONMENTAL:

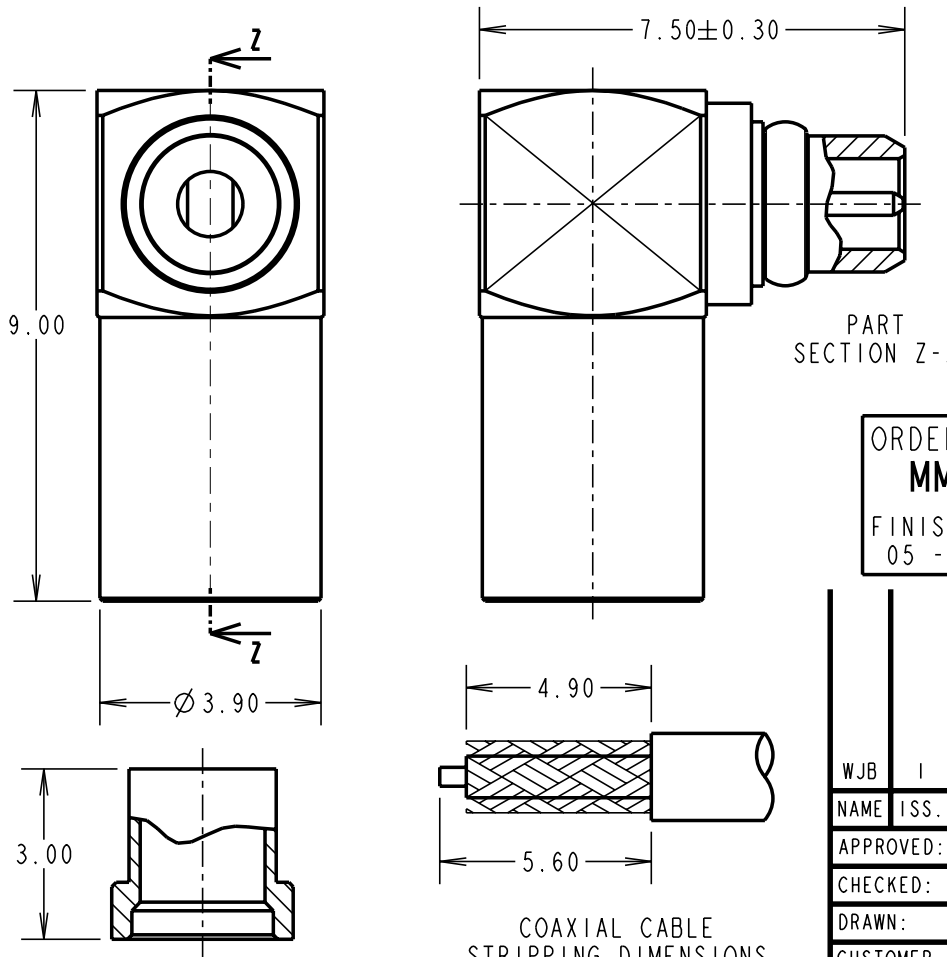
TEMPERATURE RANGE = -65°C TO +165°C

MECHANICAL:

DURABILITY = 500 CYCLES

NOTES:

- FOR COMPLETE SPECIFICATION, INTERFACE DIMENSIONS AND CRIMPING INSTRUCTIONS, SEE COMPONENT SPECIFICATION C036XX (LATEST ISSUE).
- FOR USE WITH COAXIAL CABLES RG174/U, RG188A/U AND RG316/U.



PART
SECTION Z-Z

ORDER CODE:
MMCX-6605
FINISH _____
05 - GOLD

WJB	I	05.09.01	6088
NAME	ISS.	DATE	C/NOTE
APPROVED:			
CHECKED:			
DRAWN: W. J. BOURNE			
CUSTOMER REF.:			
ASSEMBLY DRG:			



HARWIN INC
U.S.A.
TEL: (812) 285 0055
FAX: (812) 285 0056

HARWIN PLC
U.K.
TEL: 023 9237 0451
FAX: 023 9231 4590

HARWIN PTE
SINGAPORE
TEL: 65 7794909
FAX: 65 7793868

THIS DRAWING AND ANY INFORMATION OR DESCRIPTIVE MATTER SET OUT HEREON ARE CONFIDENTIAL AND COPYRIGHT PROPERTY OF THE HARWIN GROUP AND MUST NOT BE DISCLOSED, LOANED, COPIED OR USED FOR MANUFACTURING, TENDERING OR FOR ANY OTHER PURPOSE WITHOUT THEIR WRITTEN PERMISSION.

TOLERANCES
X. = ±1mm
X.X = ±0.25mm
X.XX = ±0.10mm
X.XXX = ±0.01mm
ANGLES = ±5°
UNLESS STATED

MATERIAL:
SEE ABOVE
FINISH:
SEE ABOVE
S/AREA: mm²

TITLE: 90° CRIMP PLUG
MMCX COAX CONNECTOR
(RG174/U, RG188A/U, RG316/U)
DRAWING NUMBER: MMCX-6605
SHT 2 OF 2