

# Customer Information Sheet

DRAWING No.: M90-701XX45

SHEET 2 OF 2

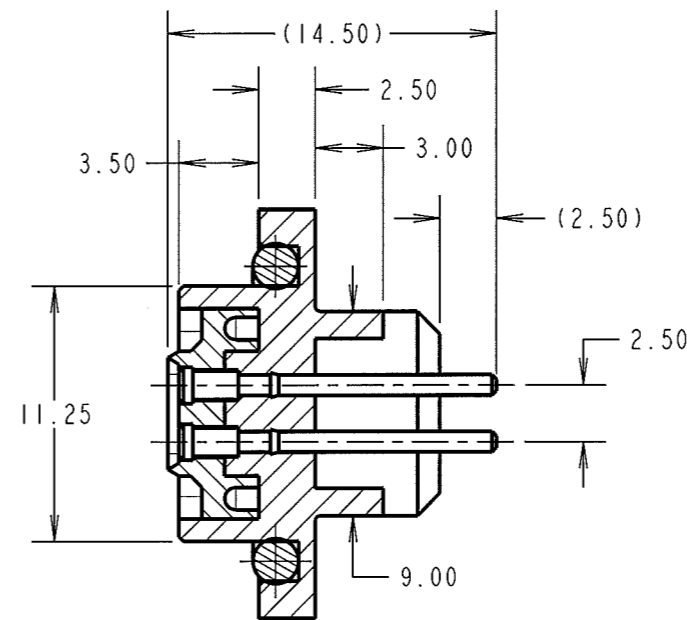
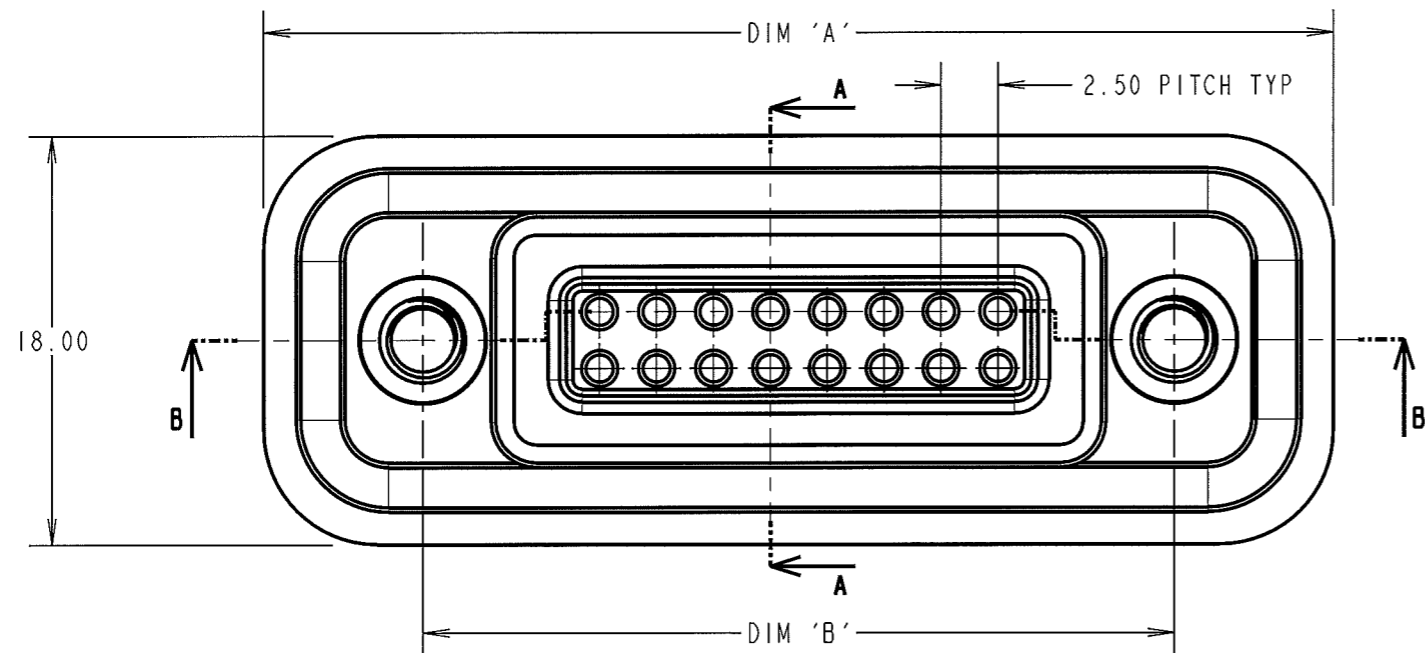
IF IN DOUBT - ASK

©

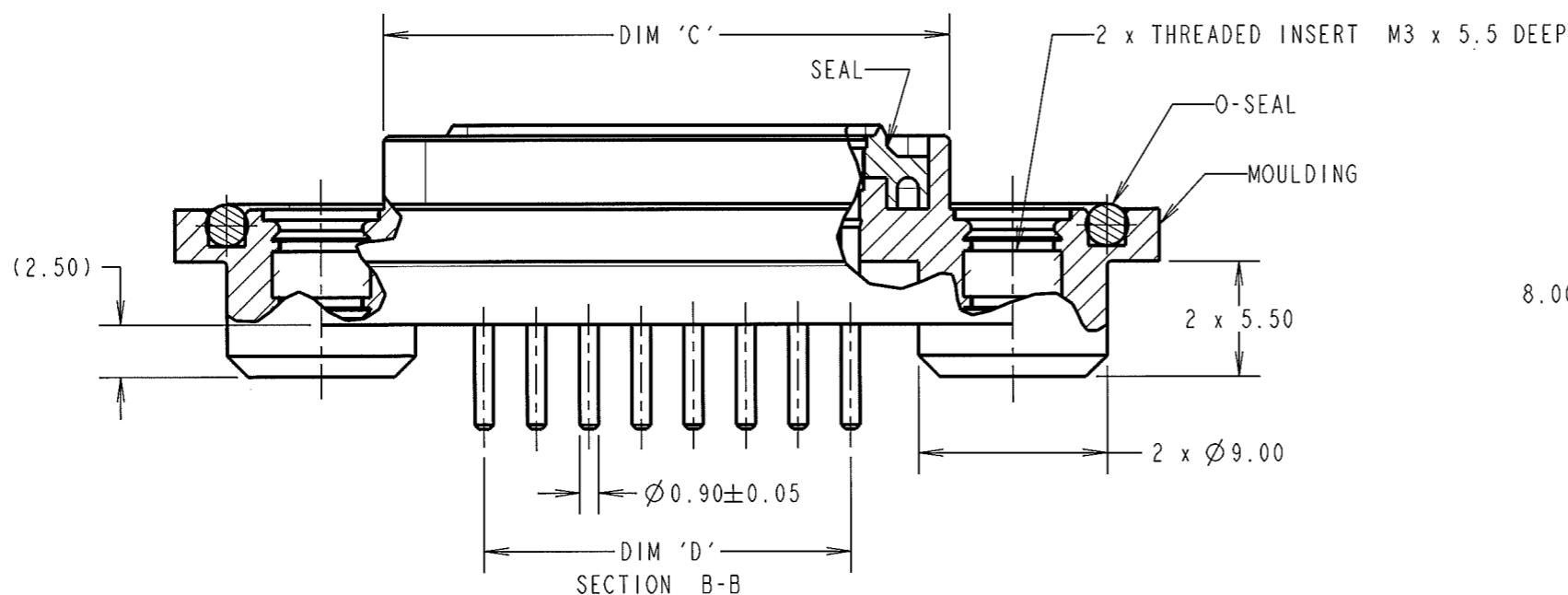
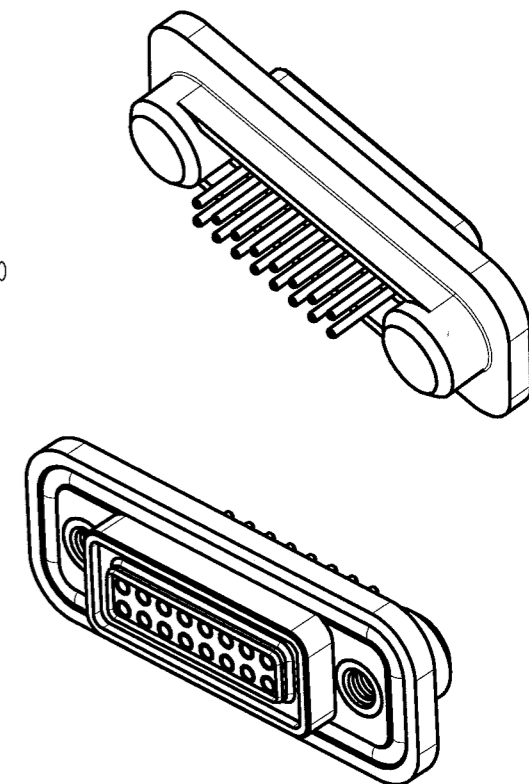
NOT TO SCALE

THIRD ANGLE PROJECTION

ALL DIMENSIONS IN mm

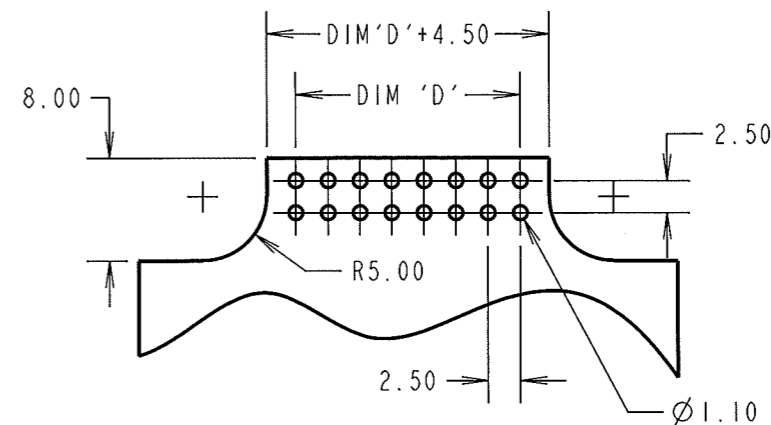


SECTION A-A



SECTION B-B

RECOMMENDED PCB LAYOUT



**SPECIFICATION:**

**MATERIAL:**  
 SEAL: THERMOPLASTIC ELASTOMER, 35 SHORE A, BLACK  
 O-SEAL: THERMOPLASTIC ELASTOMER, 35 SHORE A, BLACK  
 MOULDING: 30% GLASS FILLED POLYAMIDE 46, UL94V-0, BLACK  
 CONTACT: BRASS  
 THREADED INSERT: BRASS  
**FINISH:**  
 CONTACT: GOLD OVER NICKEL  
**ELECTRICAL:**  
 CONTACT RATING: 1A  
 WORKING VOLTAGE: 240V DC  
 CONTACT RESISTANCE: 10 MILLIOHMS  
 INSULATION RESISTANCE: 1000 MEGOHMS MIN AT 500V DC  
**ENVIRONMENTAL:**  
 OPERATING TEMPERATURE: -40°C - +100°C

**NOTES:**

- DRAWING SHOWS 16-WAY CONNECTOR.
- RECOMMENDED BULKHEAD MOUNTING THICKNESS: 1.50mm.
- RECOMMENDED MOUNTING SCREWS: M3 x 6 CSK
- MAXIMUM TORQUE FOR M3 x 6mm CSK MOUNTING SCREWS = 80cNM WHEN CONNECTOR IS MOUNTED TO PANEL WITH DIAMETER 3.3 MAX FIXING HOLES.

PART No.	No. OF WAYS	DIMENSION			
		A	B	C	D
M90-7010845	8 WAY	37.00	23.00	17.00	7.50
M90-7011245	12 WAY	42.00	28.00	22.00	12.50
M90-7011645	16 WAY	47.00	33.00	27.00	17.50

SF	3	04.08.08	10113
NAME	ISS.	DATE	C/NOTE
APPROVED: <i>[Signature]</i>			
CHECKED: <i>[Signature]</i>			
DRAWN: N. CODLING			
CUSTOMER REF.:			
ASSEMBLY DRG:			

**HARWIN**

HARWIN INC U.S.A. TEL: (812) 542 2540 FAX: (812) 542 2541	HARWIN PLC U.K. TEL: 023 9231 4545 FAX: 023 9231 4590	HARWIN PTE SINGAPORE TEL: 65 6779 4909 FAX: 65 6779 3868
--	--	---

THIS DRAWING AND ANY INFORMATION OR DESCRIPTIVE MATTER SET OUT HEREON ARE CONFIDENTIAL AND COPYRIGHT PROPERTY OF THE HARWIN GROUP AND MUST NOT BE DISCLOSED, LOANED, COPIED OR USED FOR MANUFACTURING, TENDERING OR FOR ANY OTHER PURPOSE WITHOUT THEIR WRITTEN PERMISSION.

**TOLERANCES**  
 X. = ±1mm  
 X.X = ±0.25mm  
 X.XX = ±0.10mm  
 X.XXX = ±0.01mm  
 ANGLES = ±5°  
 UNLESS STATED

**MATERIAL:**  
 SEE SPECIFICATION  
**FINISH:**  
**S/AREA:** mm<sup>2</sup>

**TITLE:**  
 FIXED CONTACT ASSEMBLY

**DRAWING NUMBER:**  
 M90-701XX45

SHT  
2 OF 2