

# Customer Information Sheet

DRAWING No.: M80-318 TO M80-319

SHEET 2 OF 2

IF IN DOUBT - ASK

©

NOT TO SCALE

THIRD ANGLE PROJECTION

ALL DIMENSIONS IN mm

## SPECIFICATIONS:

### MATERIALS:

BODY, SLEEVE, END PLUG BODY, INNER CONTACT = COPPER ALLOY  
 LATCHING COLLAR = BERYLLIUM COPPER  
 INSULATORS = PTFE

### FINISH:

BODY, SLEEVE, END PLUG BODY, INNER CONTACT = GOLD  
 LATCHING COLLAR = NICKEL

### ELECTRICAL:

FREQUENCY RANGE = 6GHz  
 IMPEDANCE = 50Ω  
 V.S.W.R. = 1.05 + (0.04 x FREQUENCY) GHz MAX  
 CONTACT RESISTANCE = 6mΩ MAX

INSULATION RESISTANCE = 10<sup>6</sup>mΩ @250V AC

OPERATING VOLTAGE = 180V AC @ 500mA

MAXIMUM VOLTAGE = 1,000V AC

### MECHANICAL:

DURABILITY = 500 OPERATIONS

INSERTION FORCE = 5N MAX, 0.6N MIN

WITHDRAWAL FORCE = 2N MAX, 0.5N MIN

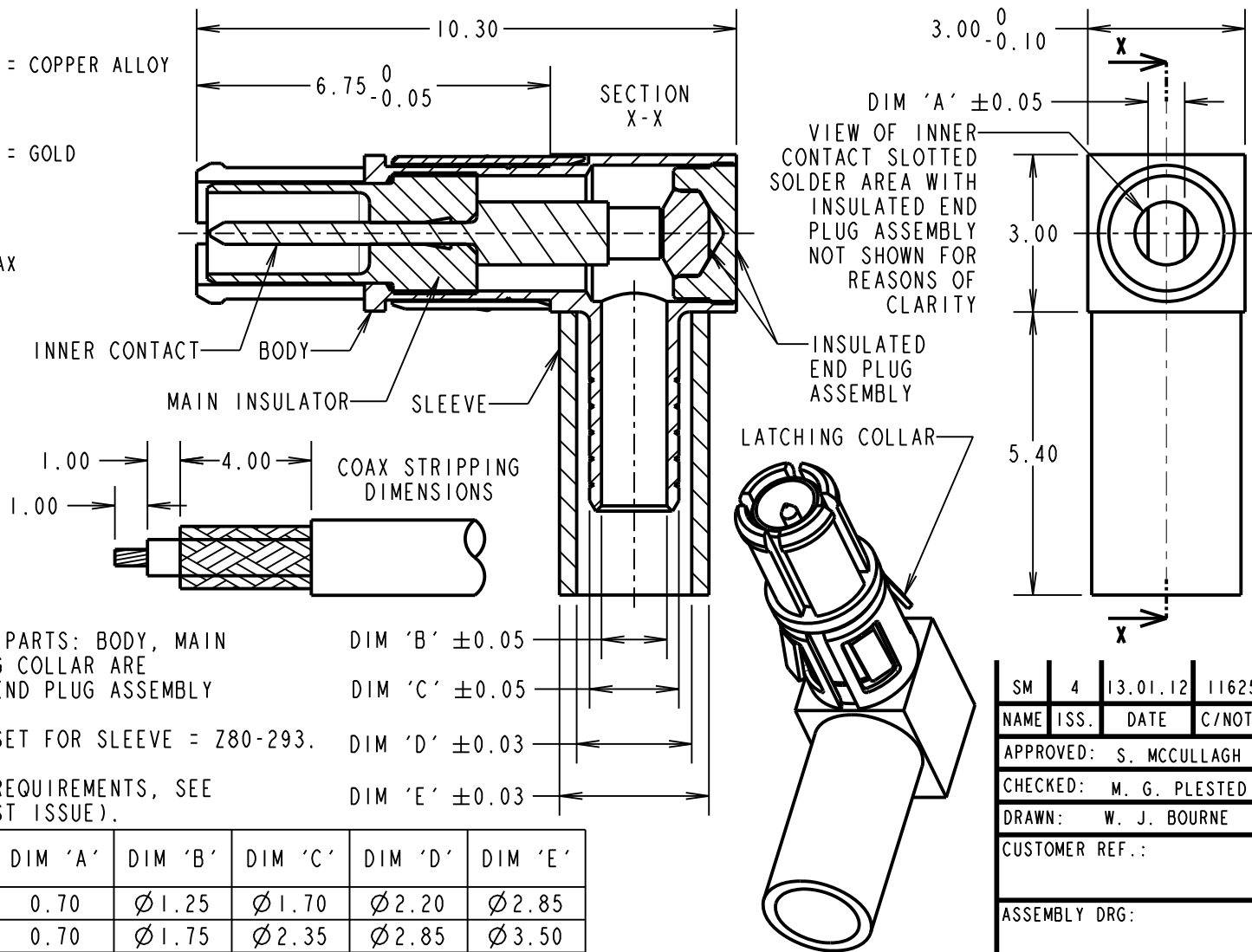
CONTACT REPLACEMENT IN INSULATOR = 5 TIMES

### ENVIRONMENTAL:

TEMPERATURE RANGE = -55°C TO +125°C

## NOTES:

- CONNECTOR COMES SUPPLIED AS A KIT OF PARTS: BODY, MAIN INSULATOR, INNER CONTACT AND LATCHING COLLAR ARE PRE-ASSEMBLED, SLEEVE AND INSULATED END PLUG ASSEMBLY ARE SEPARATE.
- RECOMMENDED HAND CRIMP TOOL AND DIE SET FOR SLEEVE = Z80-293.
- CONTACT EXTRACTION TOOL = Z80-290
- FOR ALL OTHER ELECTRICAL/MECHANICAL REQUIREMENTS, SEE COMPONENT SPECIFICATION C005XX (LATEST ISSUE).



PART No.	CABLE DIAMETER (TYPE)	DIM 'A'	DIM 'B'	DIM 'C'	DIM 'D'	DIM 'E'
M80-318	∅2.0mm (RG178)	0.70	∅1.25	∅1.70	∅2.20	∅2.85
M80-319	∅2.7mm (RG174, 179, 316)	0.70	∅1.75	∅2.35	∅2.85	∅3.50

SM	4	13.01.12	11625
NAME	ISS.	DATE	C/NOTE
APPROVED: S. MCCULLAGH			
CHECKED: M. G. PLESTED			
DRAWN: W. J. BOURNE			
CUSTOMER REF.:			
ASSEMBLY DRG:			

# HARWIN

www.harwin.com  
 technical@harwin.com

THIS DRAWING AND ANY INFORMATION OR DESCRIPTIVE MATTER SET OUT HEREON ARE CONFIDENTIAL AND COPYRIGHT PROPERTY OF THE HARWIN GROUP AND MUST NOT BE DISCLOSED, LOANED, COPIED OR USED FOR MANUFACTURING, TENDERING OR FOR ANY OTHER PURPOSE WITHOUT THEIR WRITTEN PERMISSION.

### TOLERANCES

X. = ±1mm  
 X.X = ±0.25mm  
 X.XX = ±0.10mm  
 X.XXX = ±0.01mm

ANGLES = ±5°  
 UNLESS STATED

### MATERIAL:

SEE ABOVE

FINISH: SEE ABOVE

S/AREA:

mm<sup>2</sup>

TITLE: DATAMATE MIX-TEK  
 COAX CONTACT  
 MALE 90° CRIMP/SOLDER

DRAWING NUMBER:

M80-318 TO M80-319

SHT  
 2 OF 2