

# Customer Information Sheet

DRAWING No.: M80-301 TO M80-302

SHEET 2 OF 2

IF IN DOUBT - ASK

©

NOT TO SCALE

THIRD ANGLE PROJECTION

ALL DIMENSIONS IN mm

## SPECIFICATIONS:

### MATERIALS:

BODY = BRASS

INNER CONTACT = BERYLLIUM COPPER

INSULATOR = PTFE

### FINISH:

BODY, INNER CONTACT = GOLD

### ELECTRICAL:

FREQUENCY RANGE = 6GHz

IMPEDANCE =  $50\Omega$

V.S.W.R. =  $1.05 + (0.04 \times \text{FREQUENCY}) \text{ GHz MAX}$

CONTACT RESISTANCE =  $6m\Omega \text{ MAX}$

INSULATION RESISTANCE =  $10^6 M\Omega @ 250V \text{ AC}$

OPERATING VOLTAGE = 180V AC @ 500mA

MAXIMUM VOLTAGE = 1,000V AC

### MECHANICAL:

DURABILITY = 500 OPERATIONS

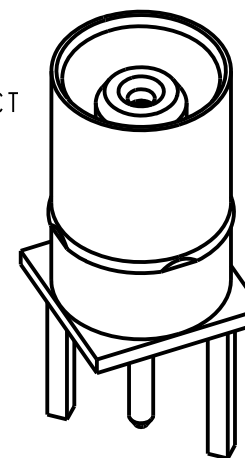
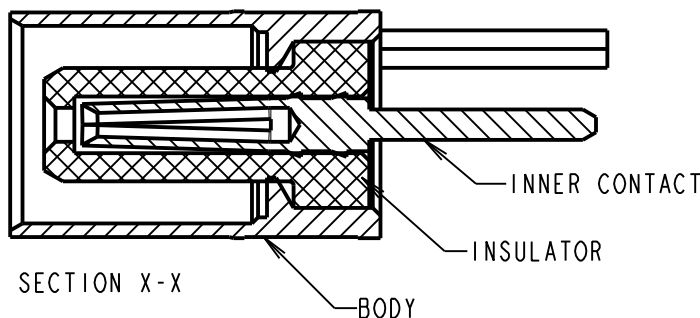
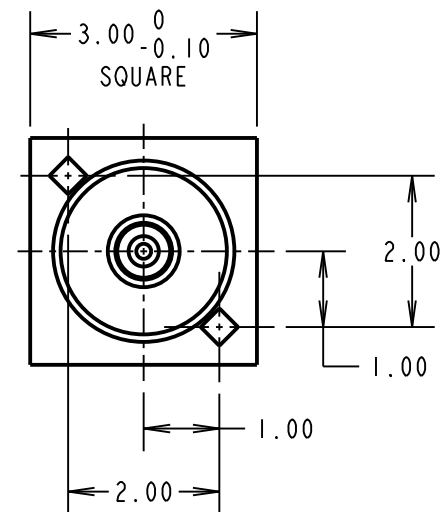
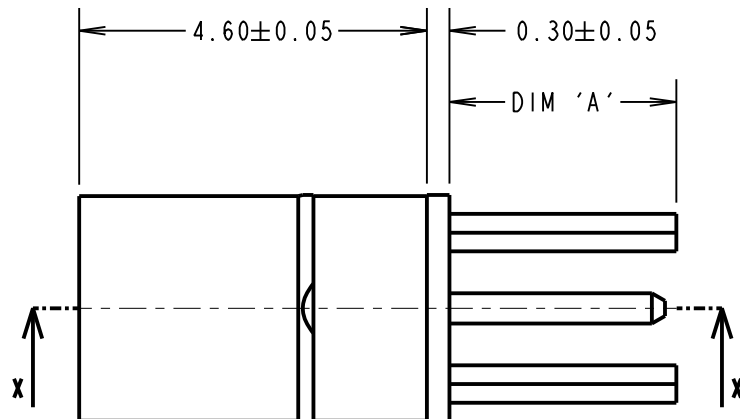
INSERTION FORCE = 5N MAX, 0.6N MIN

WITHDRAWAL FORCE = 2N MAX, 0.5N MIN

CONTACT REPLACEMENT IN INSULATOR = 5 TIMES

### ENVIRONMENTAL:

TEMPERATURE RANGE =  $-55^\circ\text{C}$  TO  $+125^\circ\text{C}$



SM	2	11.10.11	11492
NAME	ISS.	DATE	C/NOTE
APPROVED: S. MCCULLAGH			
CHECKED: M. G. PLESTED			
DRAWN:		B. M. KENT	
CUSTOMER REF.:			
ASSEMBLY DRG:			

## NOTES:

- CONNECTORS COMES SUPPLIED ASSEMBLED.
- RECOMMENDED PCB HOLE SIZE =  $\varnothing 0.60\text{mm}$  MIN.
- FOR ALL OTHER ELECTRICAL/ MECHANICAL REQUIREMENTS, SEE COMPONENT SPECIFICATION C005XX (LATEST ISSUE).

PART No.	DIM 'A'
M80-301	3.00
M80-302	4.50

# HARWIN

www.harwin.com  
technical@harwin.com

THIS DRAWING AND ANY INFORMATION OR DESCRIPTIVE MATTER SET OUT HEREON ARE CONFIDENTIAL AND COPYRIGHT PROPERTY OF THE HARWIN GROUP AND MUST NOT BE DISCLOSED, LOANED, COPIED OR USED FOR MANUFACTURING, TENDERING OR FOR ANY OTHER PURPOSE WITHOUT THEIR WRITTEN PERMISSION.

### TOLERANCES

X. =  $\pm 1\text{mm}$   
X.X =  $\pm 0.25\text{mm}$   
X.XX =  $\pm 0.10\text{mm}$   
X.XXX =  $\pm 0.01\text{mm}$

ANGLES =  $\pm 5^\circ$   
UNLESS STATED

### MATERIAL:

SEE ABOVE

FINISH: SEE ABOVE

S/AREA:

mm<sup>2</sup>

TITLE: DATAMATE MIX-TEK  
COAX CONTACT  
FEMALE VERTICAL PC-TAIL

DRAWING NUMBER:

M80-301 TO M80-302

SHT  
2  
OF  
2