

Customer Information Sheet

DRAWING No.: M7684-XX - M7687-XX

SHEET 2 OF 2

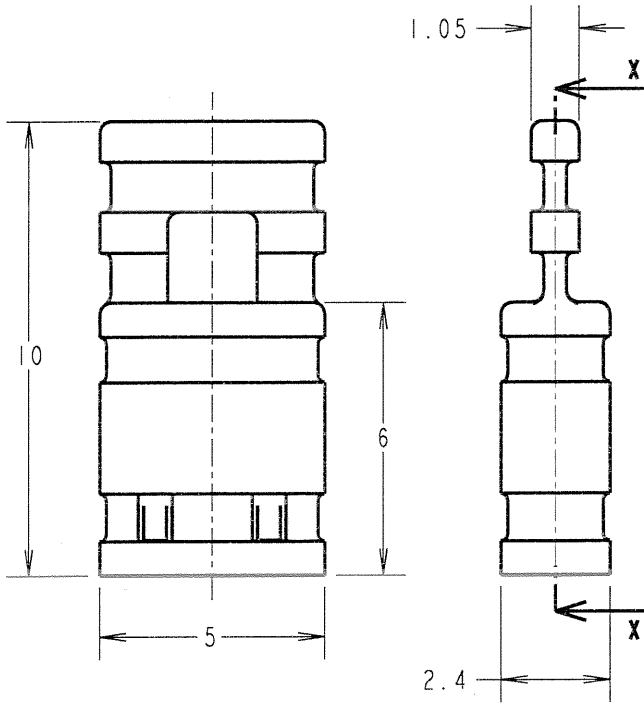
IF IN DOUBT - ASK

©

NOT TO SCALE

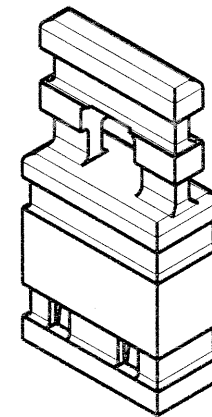
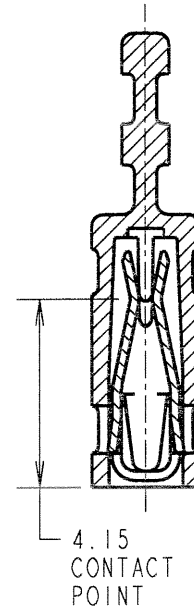
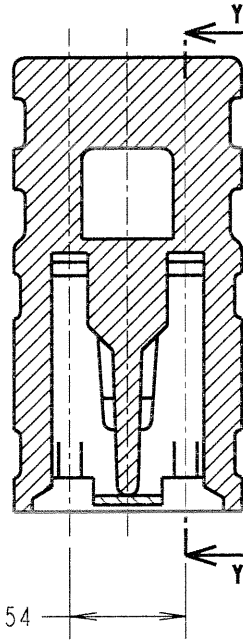
THIRD ANGLE PROJECTION

ALL DIMENSIONS IN mm



SECTION X-X

SECTION Y-Y



ORDER CODE: **M768X-XX**

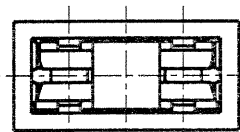
MOULDING COLOUR

4 - LT. GREY	5 - RED
6 - BLACK	7 - BLUE

CONTACT FINISH

05 - GOLD
46 = 100% TIN

SCALE 5



SPECIFICATIONS:

MATERIAL:
 MOULDING = POLYESTER UL94V-0
 (SEE ORDER CODE FOR COLOUR)
 CONTACT = PHOSPHOR BRONZE

FINISH:
 05 = 0.13µ GOLD
 46 = 3µ 100% TIN

MECHANICAL:
 DURABILITY = 50 OPERATIONS (TIN)
 300 OPERATIONS (GOLD)
 INSERTION FORCE = 12.5N MAX
 WITHDRAWAL FORCE = 1.0N MIN

ELECTRICAL:
 CURRENT RATING = 3A MAX
 VOLTAGE RATING = 250V AC/DC
 VOLTAGE PROOF = 750V AC
 CONTACT RESISTANCE = 30mΩ MAX (TIN)
 25mΩ MAX (GOLD)

INSULATION RESISTANCE = 1,000MΩ MIN

ENVIRONMENTAL:
 TEMPERATURE RANGE = -40°C TO +85°C

- NOTES:**
- MATING PIN = 0.64mm SQUARE, MAXIMUM LENGTH = 5.6mm.
 - FOR FULL ELECTRICAL/MECHANICAL SPECIFICATIONS, SEE COMPONENT SPECIFICATION C003XX (LATEST ISSUE).

JMB	4	11.04.06	9154
NAME	ISS.	DATE	C/NOTE
APPROVED: <i>W. J. Bourne</i>			
CHECKED: <i>[Signature]</i>			
DRAWN:		W. J. BOURNE	
CUSTOMER REF.:			
ASSEMBLY DRG:			

HARWIN

HARWIN INC U.S.A.	HARWIN PLC U.K.	HARWIN PTE SINGAPORE
TEL: (812) 542 2540	TEL: 023 9231 4545	TEL: 65 6779 4909
FAX: (812) 542 2541	FAX: 023 9231 4590	FAX: 65 6779 3868

THIS DRAWING AND ANY INFORMATION OR DESCRIPTIVE MATTER SET OUT HEREON ARE CONFIDENTIAL AND COPYRIGHT PROPERTY OF THE HARWIN GROUP AND MUST NOT BE DISCLOSED, LOANED, COPIED OR USED FOR MANUFACTURING, TENDERING OR FOR ANY OTHER PURPOSE WITHOUT THEIR WRITTEN PERMISSION.

TOLERANCES

X. = ±1mm
 X.X = ±0.25mm
 X.XX = ±0.10mm
 X.XXX = ±0.01mm

ANGLES = ±5°
 UNLESS STATED

MATERIAL:
 SEE TABLE

FINISH:
 SEE TABLE

S/AREA:
 mm²

TITLE: 2.54mm PITCH
 CLOSED-BOX JUMPER SOCKET
 WITH HANDLE (10mm)

DRAWING NUMBER:
M7684-XX - M7687-XX

SHT 2 OF 2