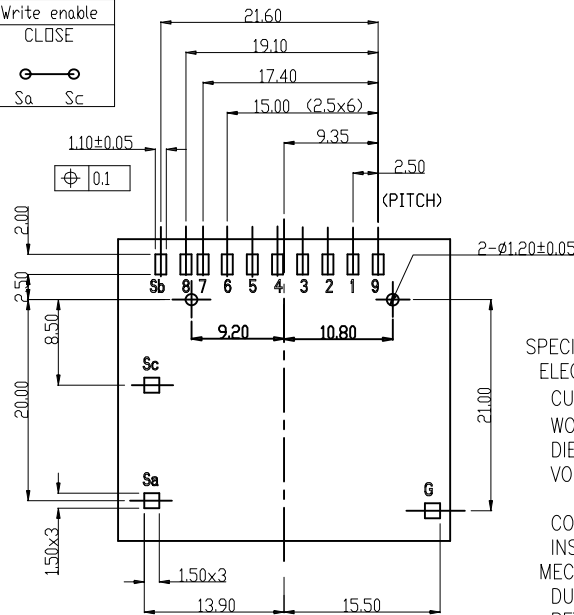
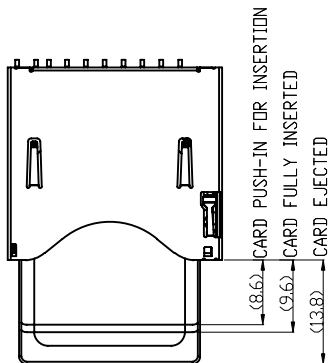
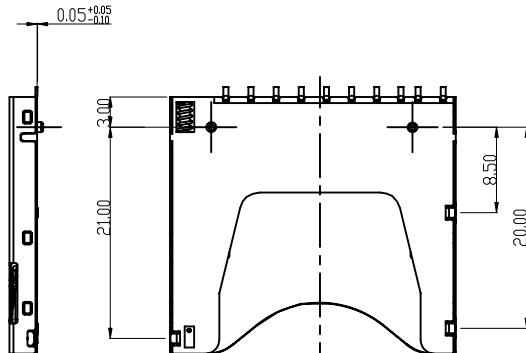
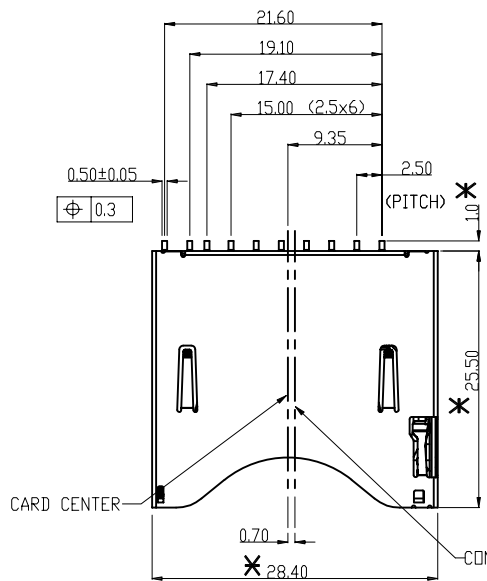


Card detection switch		Write protection switch		
When card is ejected	When card is inserted	When card is ejected	When card is inserted	
OPEN	CLOSE	OPEN	Write protect	Write enable
Sb Sc	Sb Sc	Sa Sc	Sa Sc	Sa Sc



RECOMMENDED PCB LAYOUT

SPECIFICATIONS:
 ELECTRICAL:-
 CURRENT RATING: 0.5A MAX./PIN
 WORKING VOLTAGE: 100V AC/DC
 DIELECTRIC WITHSTANDING VOLTAGE: 500V AC
 FOR ONE 1 MINUTE
 CONTACT RESISTANCE: 80 mΩ MAX.
 INSULATION RESISTANCE: 1000 MΩ MIN.
 MECHANICAL:-
 DURABILITY: 10 000 CYCLES
 RETENTION FORCE: 2.5N PER PIN

ITEM	PART NAME	Q'TY	MATERIAL
1	BODY	1	LCP+35%GF ,BLACK
2	SLIDER	1	LCP+35%GF ,BLACK
3	CONTACT	1	C5210R-EH
4	SWITCH A	1	C5210R-EH
5	SWITCH C	1	C5210R-EH
6	HOLD DOWN	1	C5191R-H
7	LATCH	1	SUS304R-3/4H
8	SHELL	1	SUS304R-3/4H
9	DRAG LINK	1	SUS
10	SPRING	1	PIAND WIRE

PIN NO.	PIN ASSIGNMENT	PIN NO.	PIN ASSIGNMENT
1	DAT3/CS/CD	8	DAT1
2	CMD	9	DAT2
3	VSS1	Sa	WRITE PROTECTION
4	VDD	Sb	CARD DETECTION
5	CLK	Sc	COMMON SWITCH
6	VSS2	G	GROUND
7	DAT0		

NOTES:

1. FINISH: 10u" GOLD ON CONTACT, GOLD FLASH ON SOLDER TAIL
2. ALL DIMENSIONS AND NOTES MARKED * ARE CRITICAL AND MUST BE CHECKED IN ACCORDANCE WITH QUALITY DOC. QI-02A

3	Allan	4	22.05.09	A206
	Allan	3	08.05.09	A204
	Allan	2	17.02.09	A187
	Allan	1	13.02.09	-
NAME	ISS.	DATE	C/NOTE	
APPROVED:				
CHECKED:				
DRAWN: Allan				
CUSTOMER REF.:				
ASSEMBLY DRG:				



HARWIN USA TEL: 603 893 5376 FAX: 603 893 5396 mis@harwin.com	HARWIN Europe (UK) TEL: 023 9231 4545 FAX: 023 9231 4590 mis@harwin.co.uk	HARWIN Asia TEL: +65 6 779 4909 FAX: +65 6 779 3868 mis@harwin.com.sg
--	--	--

THIS DRAWING AND ANY INFORMATION OR DESCRIPTIVE MATTER SET OUT HEREON ARE CONFIDENTIAL AND COPYRIGHT PROPERTY OF THE HARWIN GROUP AND MUST NOT BE DISCLOSED, LOANED, COPIED OR USED FOR MANUFACTURING, TENDERING OR FOR ANY OTHER PURPOSE WITHOUT THEIR WRITTEN PERMISSION.

TOLERANCES
 X. = ±1mm
 X.X = ±0.25mm
 X.XX = ±0.20mm
 X.XXX = ±0.10mm
 ANGLES = ±5'
 UNLESS STATED

MATERIAL: SEE NOTES
 FINISH: SEE NOTES
 S/AREA: mm²

TITLE: SD SOCKET PUSH-PUSH TYPE TOP MOUNT
 DRAWING NUMBER: M502-7000945R
 SHT 1 OF 1