

Customer Information Sheet

DRAWING No.: M50-490XX45R

IF IN DOUBT - ASK

©

NOT TO SCALE

THIRD ANGLE PROJECTION

ALL DIMENSIONS IN mm

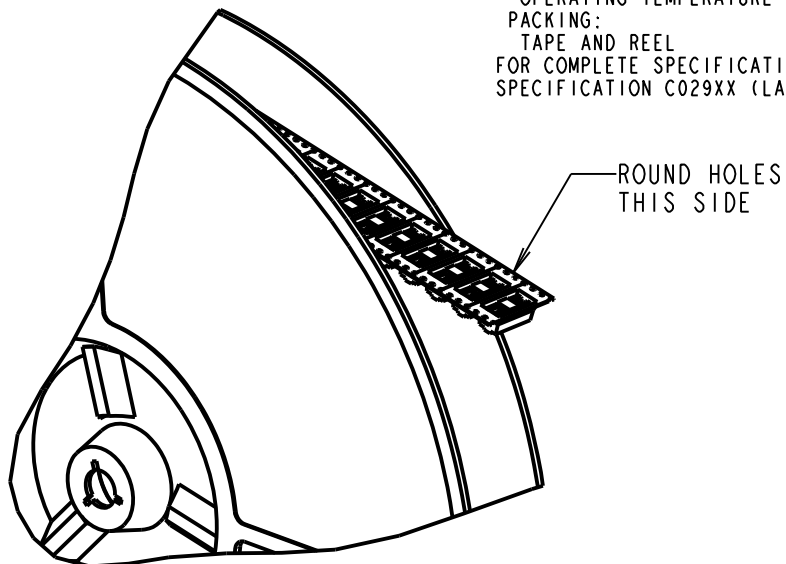
ORDER CODE:
M50-490XX45R

No. OF WAYS PER ROW
05, 10

FINISH: GOLD

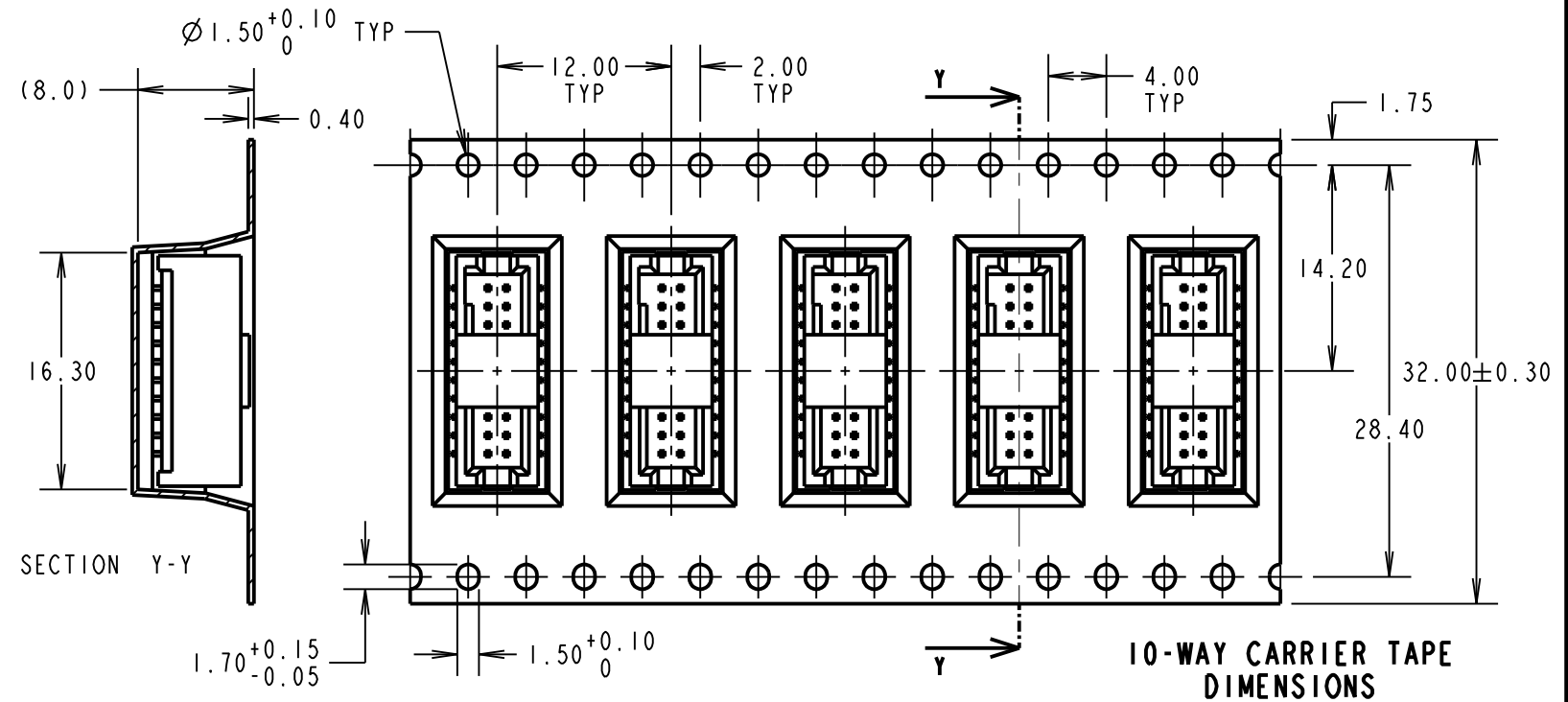
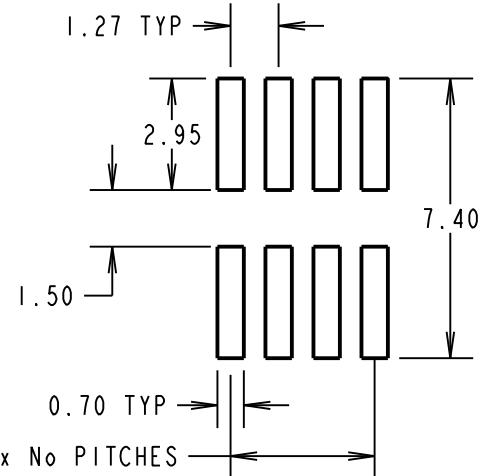
SPECIFICATIONS:
MATERIAL:
 MOULDING = LCP UL94V-0, BLACK
 CONTACT = BRASS
FINISH:
 CONTACT = GOLD
ELECTRICAL:
 CURRENT RATING = 1A
 VOLTAGE PROOF = 300V AC/DC
 CONTACT RESISTANCE = 20 MILLIOHMS MAX
 INSULATION RESISTANCE = 1,000 MEGOHMS MIN
ENVIRONMENTAL:
 OPERATING TEMPERATURE = -40°C TO +105°C
PACKING:
 TAPE AND REEL
 FOR COMPLETE SPECIFICATION, SEE COMPONENT SPECIFICATION C029XX (LATEST ISSUE)

RECOMMENDED
PCB LAYOUT ±0.1

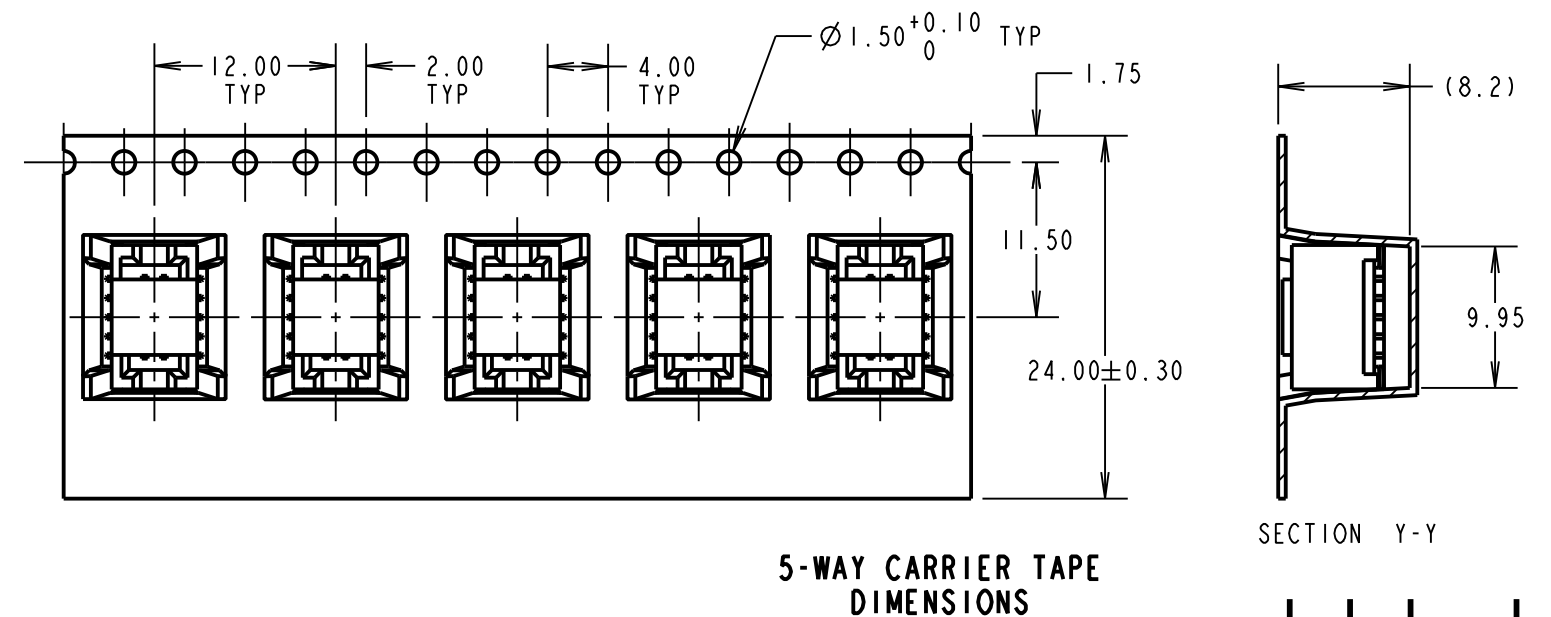


FINISHED REELING DIRECTION

ROUND HOLES
THIS SIDE

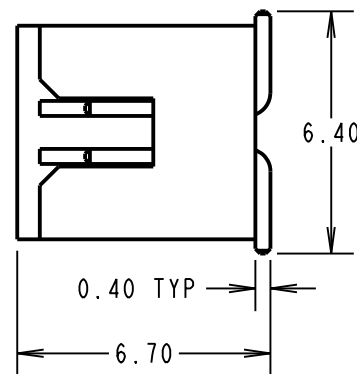
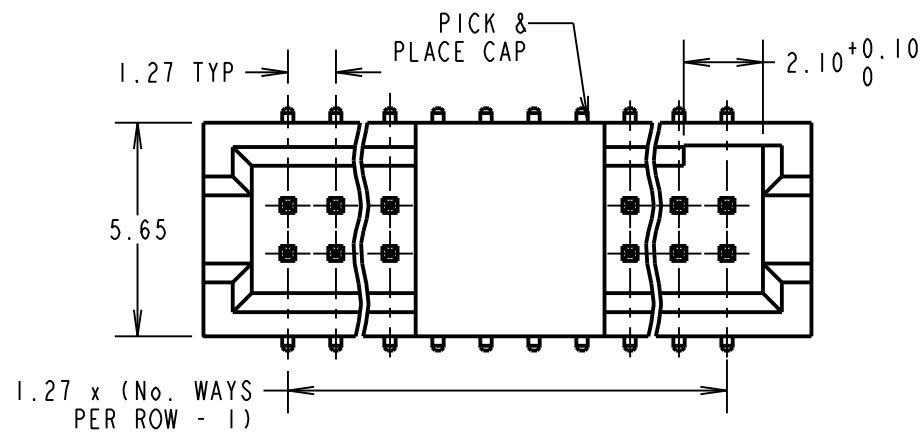


10-WAY CARRIER TAPE
DIMENSIONS

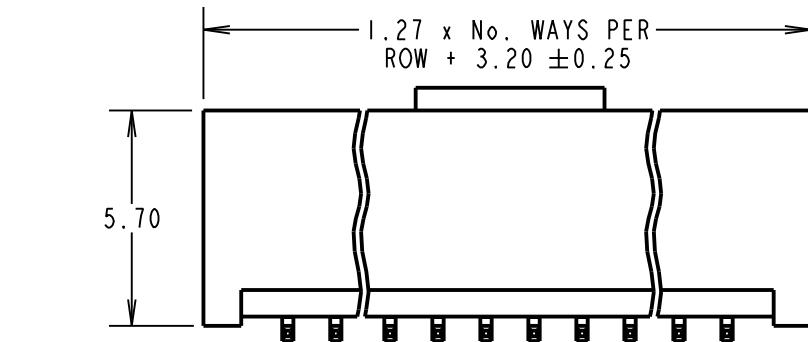


5-WAY CARRIER TAPE
DIMENSIONS

SECTION Y-Y



COMPONENT
DIMENSIONS



0.30 TYP

NOTE:
 1. TOLERANCE = ±0.15 UNLESS OTHERWISE STATED.
 2. REEL QUANTITIES:
 05-WAY = 600
 10-WAY = 700

HARWIN

www.harwin.com
technical@harwin.com

THIS DRAWING AND ANY INFORMATION OR DESCRIPTIVE MATTER SET OUT HEREON ARE CONFIDENTIAL AND COPYRIGHT PROPERTY OF THE HARWIN GROUP AND MUST NOT BE DISCLOSED, LOANED, COPIED OR USED FOR MANUFACTURING, TENDERING OR FOR ANY OTHER PURPOSE WITHOUT THEIR WRITTEN PERMISSION.

TOLERANCES
 X = ±1mm
 X.X = ±0.25mm
 X.XX = ±0.10mm
 X.XXX = ±0.01mm
 ANGLES = ±5°
 UNLESS STATED

MATERIAL:

SEE ABOVE

FINISH:

SEE ABOVE

S/AREA:

mm²

TITLE:

1.27mm PITCH DIL
SMT PIN HEADER ASSY
(TAPE & REEL)

DRAWING NUMBER:

M50-490XX45R

SM	2	21.10.11	11514
NAME	ISS.	DATE	C/NOTE
APPROVED: S. MCCULLAGH			
CHECKED: M. G. PLESTED			
DRAWN: S. FLOWER			
CUSTOMER REF.:			
ASSEMBLY DRG:			

SHT
3
OF
3