

Customer Information Sheet

DRAWING No.: M50-310XX45R

SHEET 3 OF 4

IF IN DOUBT - ASK

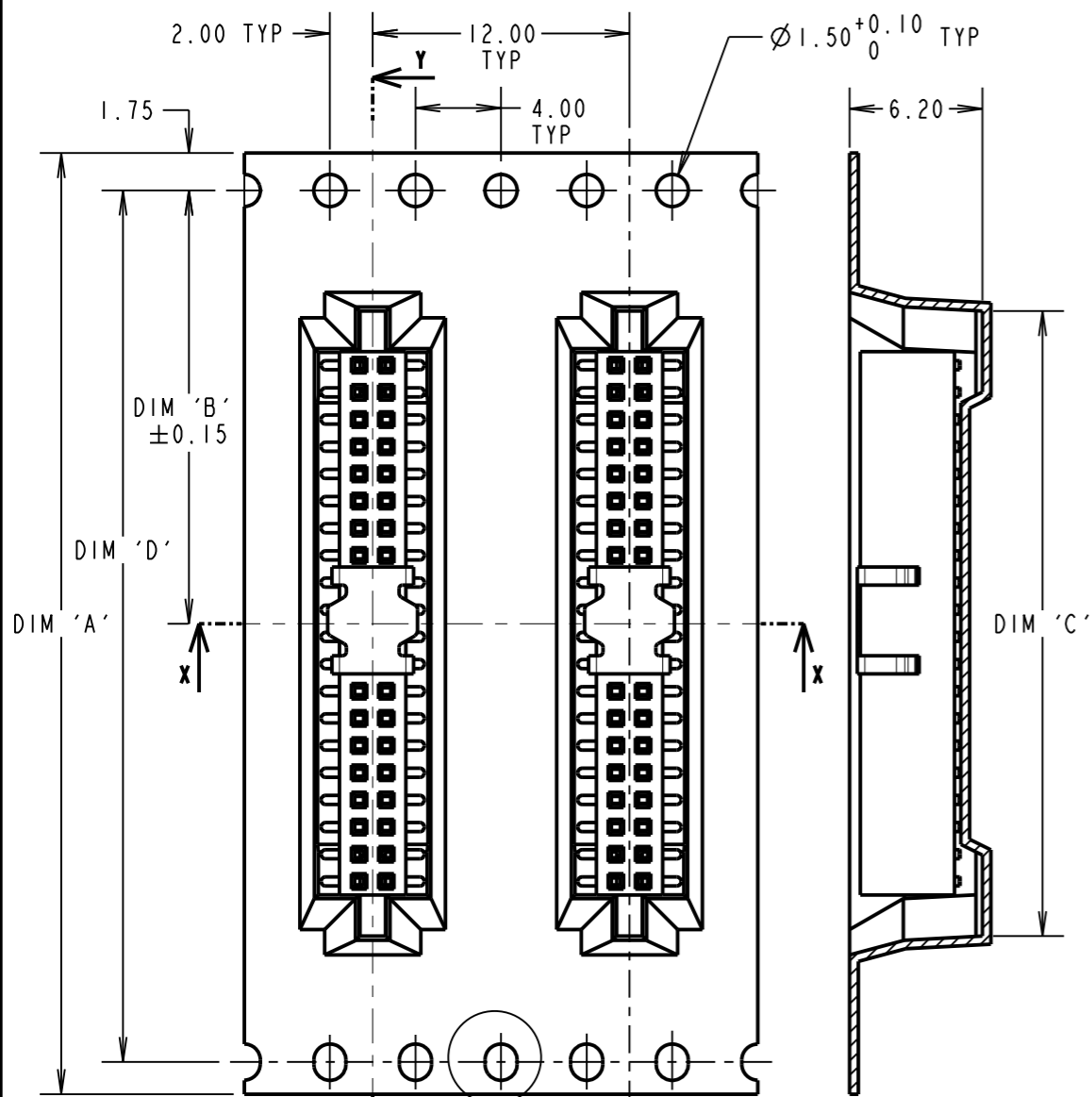
©

NOT TO SCALE

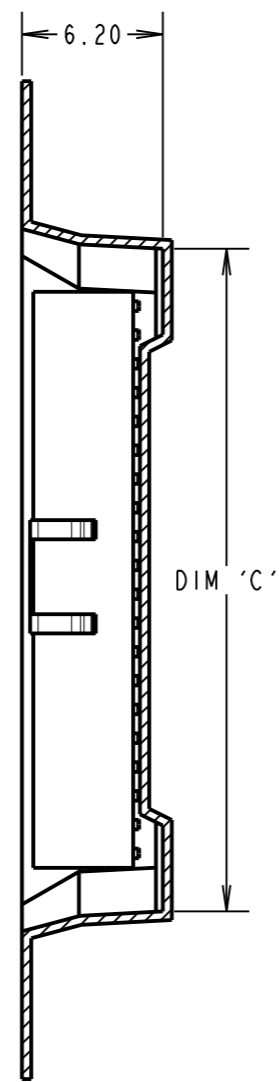
THIRD ANGLE PROJECTION

ALL DIMENSIONS IN mm

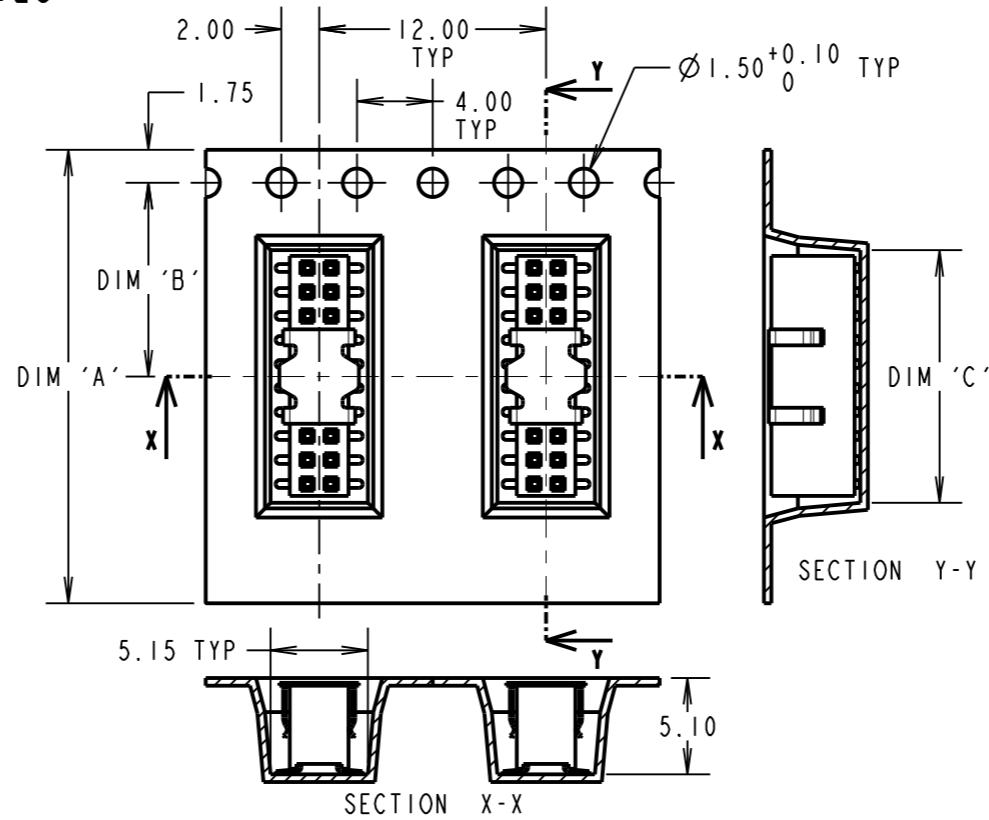
20 & 25 WAY STYLE



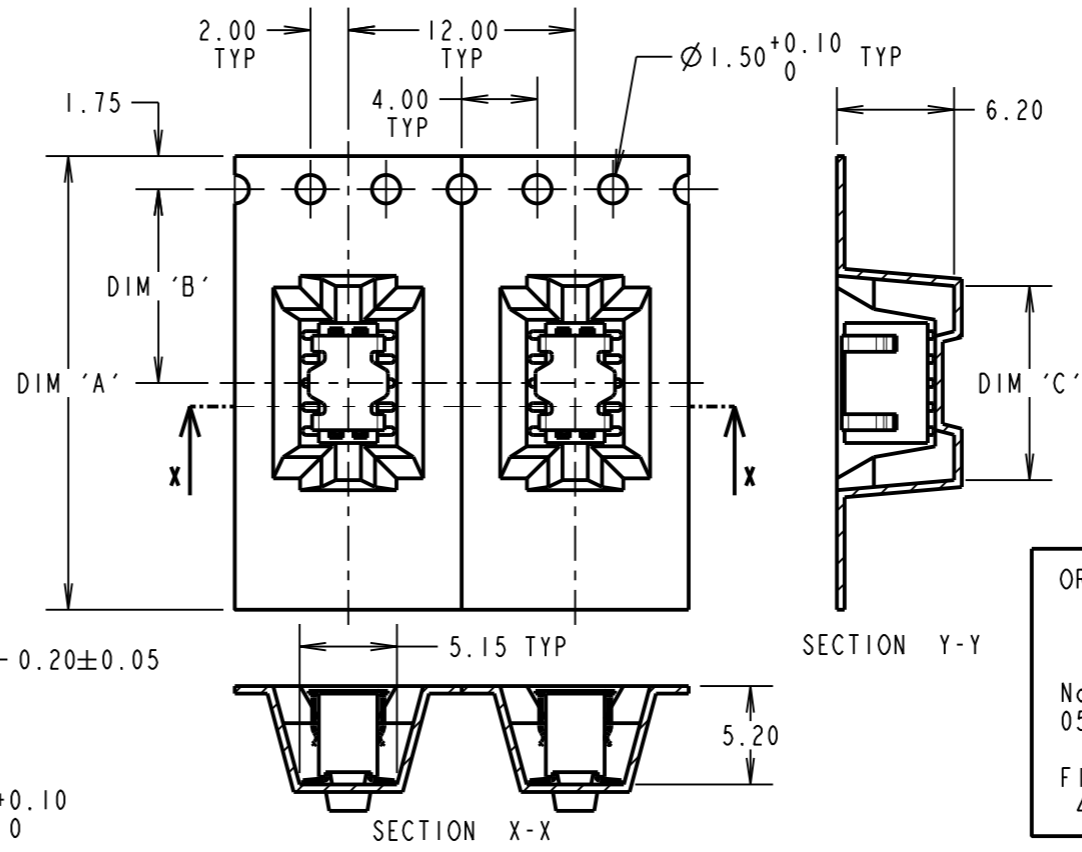
TAPE DETAILS



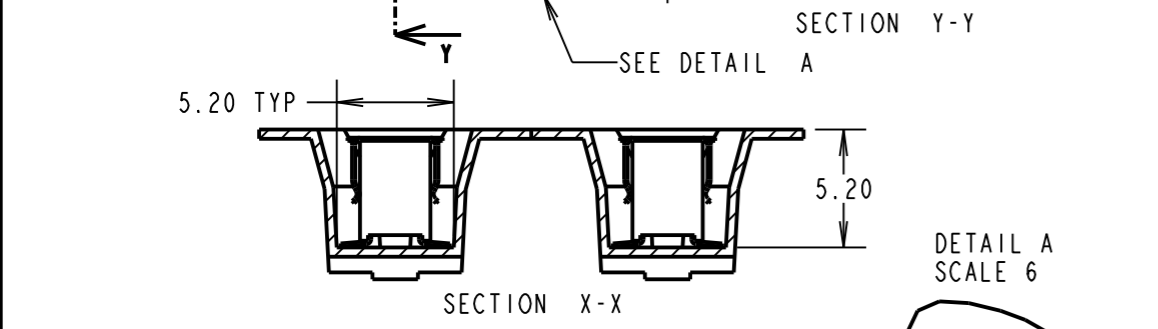
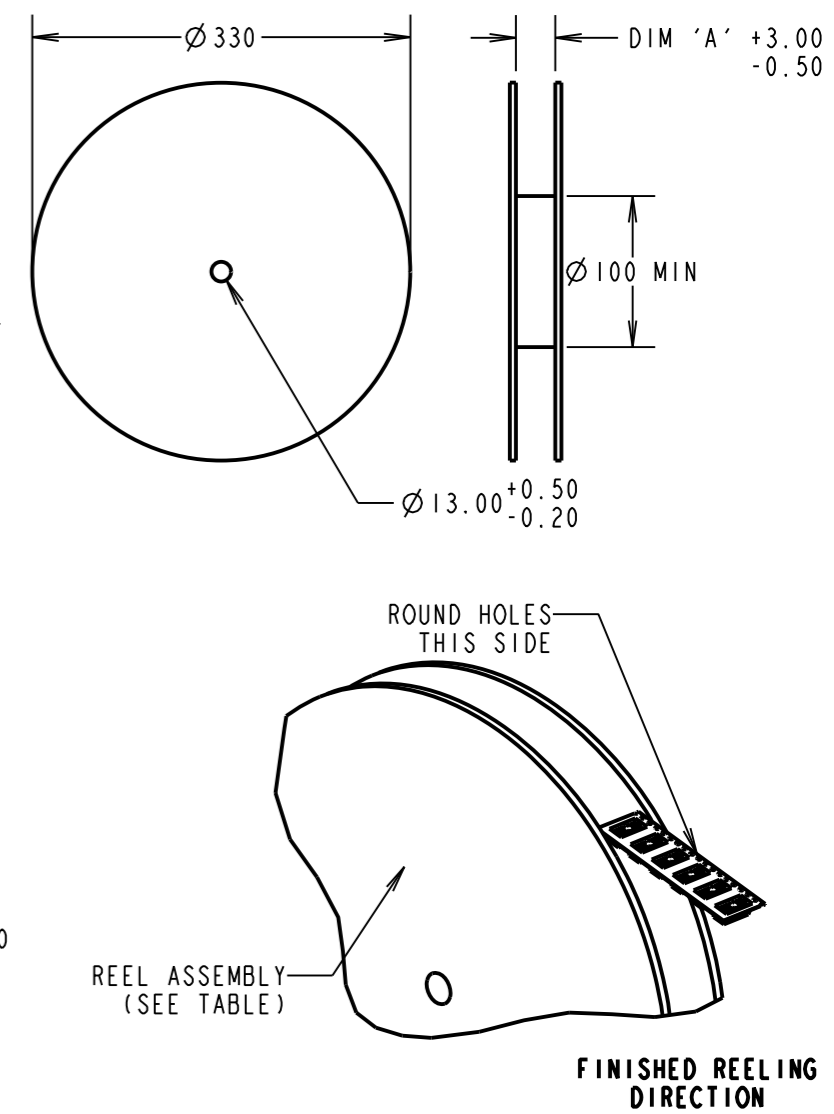
10 WAY STYLE



5 WAY STYLE



REEL DETAILS



PART NUMBER	DIM 'A' ±0.30	DIM 'B'	DIM 'C'	DIM 'D'	QTY PER REEL
M40-3100545R	24.00	11.50	10.50	N/A	900
M40-3101045R	24.00	11.50	13.30	N/A	1000
M40-3102045R	44.00	20.20	29.55	40.40	900
M40-3102545R	56.00	26.20	36.50	52.40	800

- NOTES:
- FOR CONNECTOR DIMENSIONS, SEE SHEET 4
 - TAPE & REEL TO BE IN ACCORDANCE WITH EIA-481 (ELECTRONIC INDUSTRIES ASSOCIATION)
 - PICK & PLACE CAP IS THE SAME FOR ALL SIZES.

ORDER CODE:
M50-310XX45R
 No. OF WAYS PER ROW
 05, 10, 20, 25
 FINISH:
 45 = GOLD FLASH

RA	3	31.10.11	11500
NAME	ISS.	DATE	C/NOTE
APPROVED:		R. ADDE	
CHECKED:		M.G. PLESTED	
DRAWN:		R. ADDE	
CUSTOMER REF.:			
ASSEMBLY DRG.:			

HARWIN

www.harwin.com
 technical@harwin.com

THIS DRAWING AND ANY INFORMATION OR DESCRIPTIVE MATTER SET OUT HEREON ARE CONFIDENTIAL AND COPYRIGHT PROPERTY OF THE HARWIN GROUP AND MUST NOT BE DISCLOSED, LOANED, COPIED OR USED FOR MANUFACTURING, TENDERING OR FOR ANY OTHER PURPOSE WITHOUT THEIR WRITTEN PERMISSION.

TOLERANCES
 X. = ±1mm
 X.X = ±0.25mm
 X.XX = ±0.10mm
 X.XXX = ±0.01mm
 ANGLES = ±5°
 UNLESS STATED

MATERIAL: SEE ABOVE
 FINISH: SEE ABOVE
 S/AREA: mm²

TITLE: 1mm PITCH DIL SMT SKT ASSEMBLY (T & R) WITH P & P CAP
 DRAWING NUMBER: **M50-310XX45R**
 SHT 3 OF 4

Customer Information Sheet

DRAWING No.: M50-310XX45R SHEET 4 OF 4

IF IN DOUBT - ASK

©

NOT TO SCALE

THIRD ANGLE PROJECTION

ALL DIMENSIONS IN mm

SPECIFICATIONS:

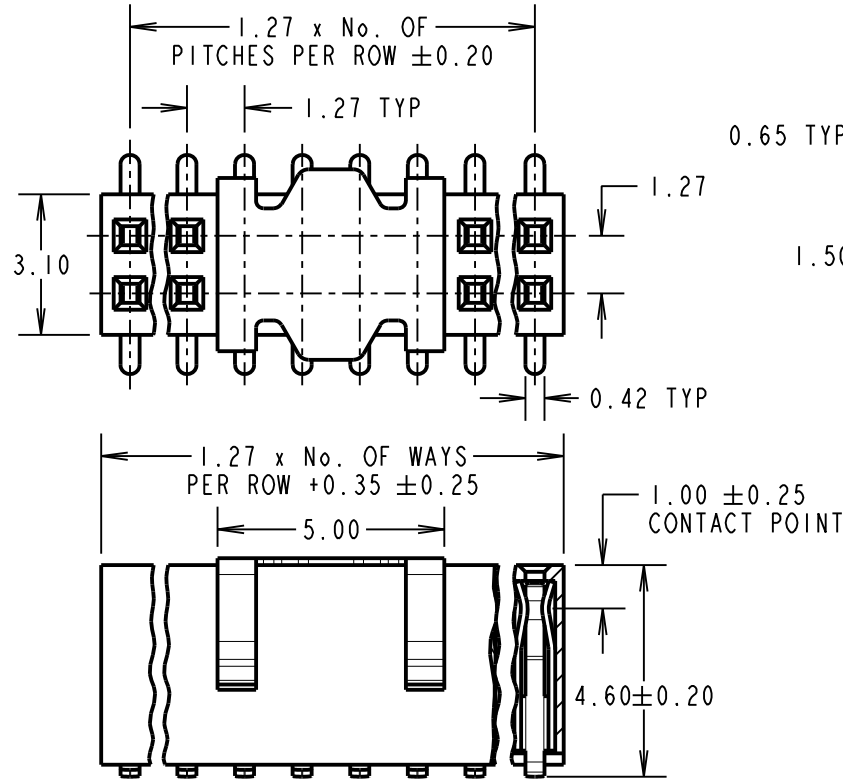
MATERIAL:
 MOULDING = LCP, UL94V-0, BLACK
 CONTACT = PHOSPHOR BRONZE

FINISH:
 GOLD FLASH OVER NICKEL

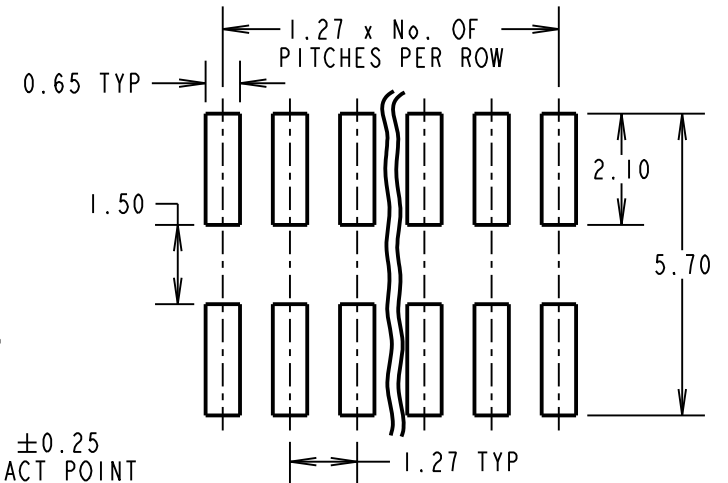
ELECTRICAL:
 VOLTAGE RATING = 250V AC/DC
 CONTACT RATING = 1A
 VOLTAGE PROOF = 300V AC, 500V DC FOR 1 MINUTE
 INSULATION RESISTANCE = 20 MEGOHMS MAX

MECHANICAL:
 DURABILITY = 100 CYCLES
 INSERTION FORCE = 2N MAX PER CONTACT
 WITHDRAWAL FORCE = 0.15N MIN PER CONTACT

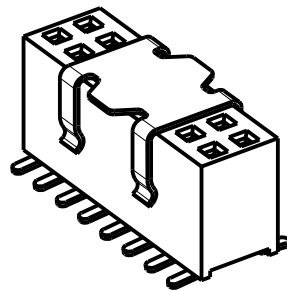
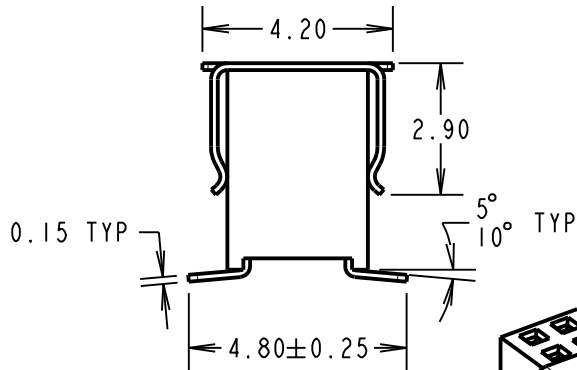
ENVIRONMENTAL:
 OPERATING TEMPERATURE = -40°C TO + 105°C
 FOR COMPLETE SPECIFICATION, SEE COMPONENT SPECIFICATION C029XX (LATEST ISSUE)



RECOMMENDED PAD LAYOUT
(TOLERANCE ±0.05)



- NOTES:**
- FOR REELING DETAILS, SEE SHEET 3
 - ALL TOLERANCES ARE ±0.25 UNLESS OTHERWISE STATED.



ORDER CODE:

M50-310XX45R

No. OF WAYS PER ROW ———
 05, 10, 20, 25

FINISH: _____
 45 = GOLD FLASH OVER NICKEL

RA	3	31.10.11	11500
NAME	ISS.	DATE	C/NOTE
APPROVED:		R. ADDE	
CHECKED:		M.G. PLESTED	
DRAWN:		R. ADDE	
CUSTOMER REF.:			
ASSEMBLY DRG:			

HARWIN

www.harwin.com
 technical@harwin.com

THIS DRAWING AND ANY INFORMATION OR DESCRIPTIVE MATTER SET OUT HEREON ARE CONFIDENTIAL AND COPYRIGHT PROPERTY OF THE HARWIN GROUP AND MUST NOT BE DISCLOSED, LOANED, COPIED OR USED FOR MANUFACTURING, TENDERING OR FOR ANY OTHER PURPOSE WITHOUT THEIR WRITTEN PERMISSION.

TOLERANCES
 X. = ±1mm
 X.X = ±0.25mm
 X.XX = ±0.10mm
 X.XXX = ±0.01mm

ANGLES = ±5°
 UNLESS STATED

MATERIAL:

SEE ABOVE

FINISH:

SEE ABOVE

S/AREA:

mm²

TITLE: 1.27mm PITCH DIL SMT SKT ASSEMBLY (T & R) WITH P & P CAP

DRAWING NUMBER:

M50-310XX45R

SHT
 4 OF 4