

Customer Information Sheet

DRAWING No.: M22-E01XXXX

SHEET 2 OF 2

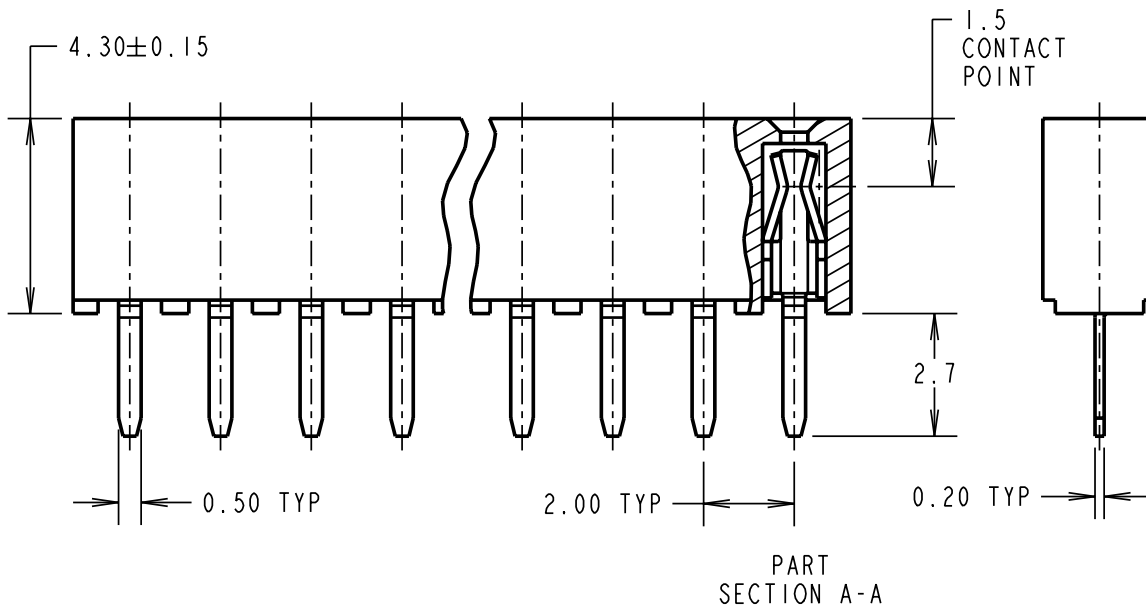
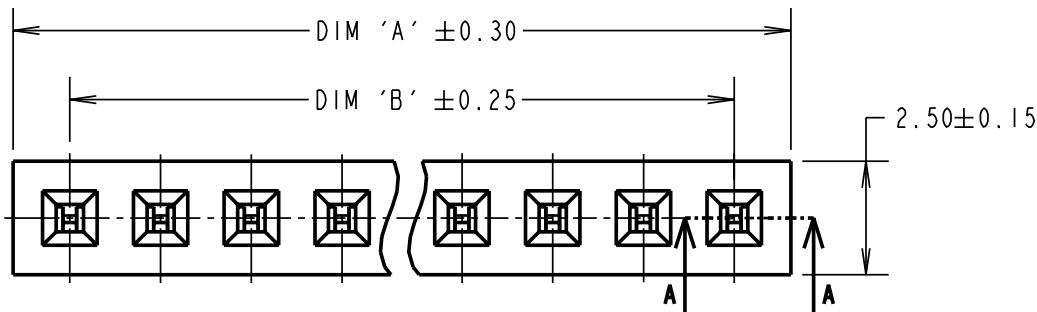
IF IN DOUBT - ASK

©

NOT TO SCALE

THIRD ANGLE PROJECTION

ALL DIMENSIONS IN mm



NOTES:
1. RECOMMENDED PCB HOLE SIZE = $\varnothing 0.80 \pm 0.05$ mm.

PART No.	No. OF CONTACTS	DIM 'A'	DIM 'B'
M22-E0103XX	3	6.50	4.00
M22-E0104XX	4	8.50	6.00
M22-E0105XX	5	10.50	8.00

SPECIFICATIONS:

MATERIAL:

MOULDING = 30% GLASS-FILLED PA6T, UL94V-0, BLACK
CONTACT = PHOSPHOR BRONZE

FINISH:

CONTACT = GOLD ON CONTACT AREA, 100% TIN ON TAILS,
ALL OVER NICKEL

ELECTRICAL:

CURRENT RATING = 1A
VOLTAGE RATING = 500V AC/DC
CONTACT RESISTANCE:
INITIAL = 20mΩ MAX
AFTER CONDITIONING = 30mΩ MAX
INSULATION RESISTANCE = 1,000MΩ MIN
DIELECTRIC STRENGTH = 500V AC / 1 MINUTE

MECHANICAL:

DURABILITY = 300 OPERATIONS
INSERTION FORCE = 2N MAX
WITHDRAWAL FORCE = 0.2N MIN

ENVIRONMENTAL:

TEMPERATURE RANGE = -40°C TO +105°C

PACKING:

TUBE

Asia only

ORDER CODE:

M22-E01XXXX

No. OF CONTACTS PER ROW _____
03, 04, 05

FINISH _____

42 = SELECTIVE GOLD + 100% TIN

WJB	1	07.02.08	----
NAME	ISS.	DATE	C/NOTE
APPROVED:		R. ADDE	
CHECKED:		M. G. PLESTED	
DRAWN:		W. J. BOURNE	
CUSTOMER REF.:			
ASSEMBLY DRG:			

HARWIN

HARWIN INC
U.S.A.
TEL: 603 893 5376
FAX: 603 893 5396
mis@harwin.com

HARWIN PLC
Europe (U.K.)
TEL: 023 9231 4545
FAX: 023 9231 4590
mis@harwin.co.uk

HARWIN PTE
Asia (Singapore)
TEL: +65 6779 4909
FAX: +65 6779 3868
mis@harwin.com.sg

THIS DRAWING AND ANY INFORMATION OR DESCRIPTIVE MATTER SET OUT HEREON ARE CONFIDENTIAL AND COPYRIGHT PROPERTY OF THE HARWIN GROUP AND MUST NOT BE DISCLOSED, LOANED, COPIED OR USED FOR MANUFACTURING, TENDERING OR FOR ANY OTHER PURPOSE WITHOUT THEIR WRITTEN PERMISSION.

TOLERANCES

X. = ±1mm
X.X = ±0.25mm
X.XX = ±0.10mm
X.XXX = ±0.01mm

ANGLES = ±5°
UNLESS STATED

MATERIAL:

SEE ABOVE

FINISH: SEE ABOVE

S/AREA: mm²

TITLE:

2.00mm PITCH SIL VERTICAL SOCKET ASSEMBLY

DRAWING NUMBER:

M22-E01XXXX

SHT
2
OF
2