

# Customer Information Sheet

DRAWING No.: M22-636XXXXR

IF IN DOUBT - ASK

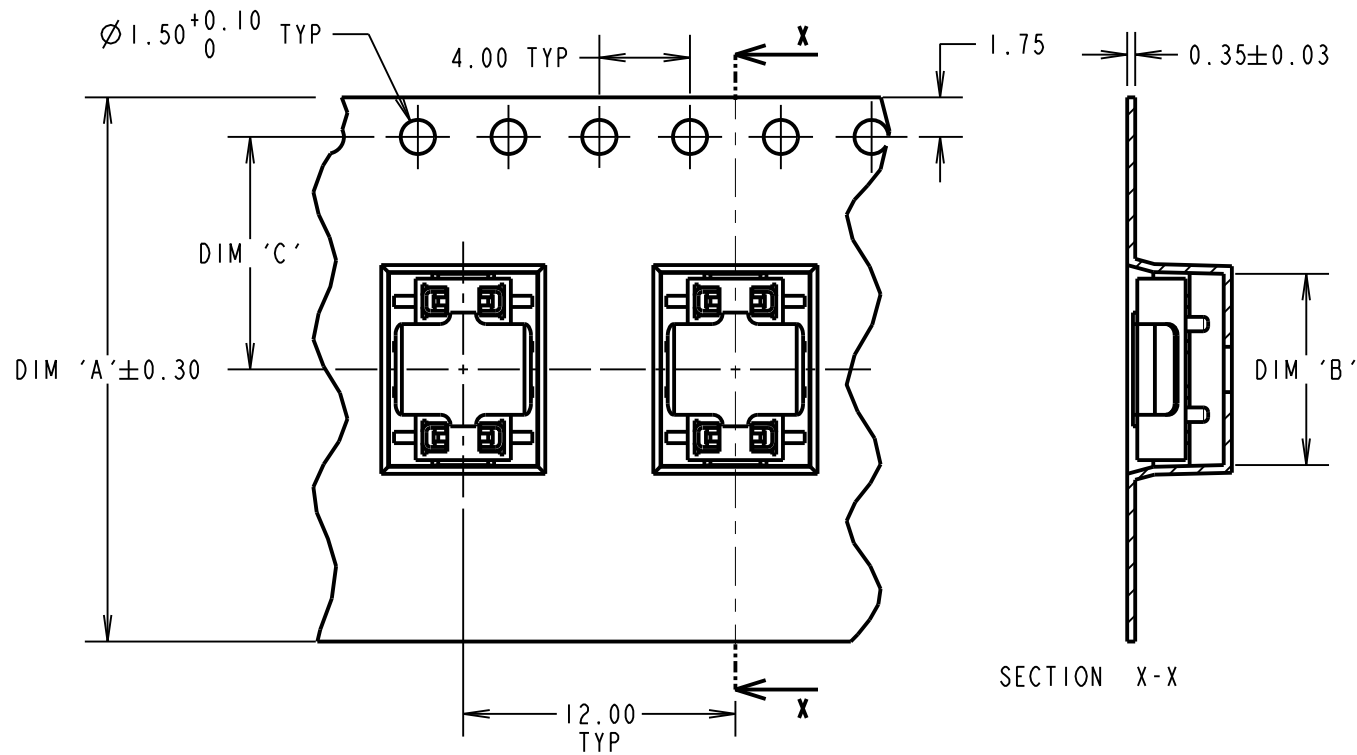
(C)

NOT TO SCALE

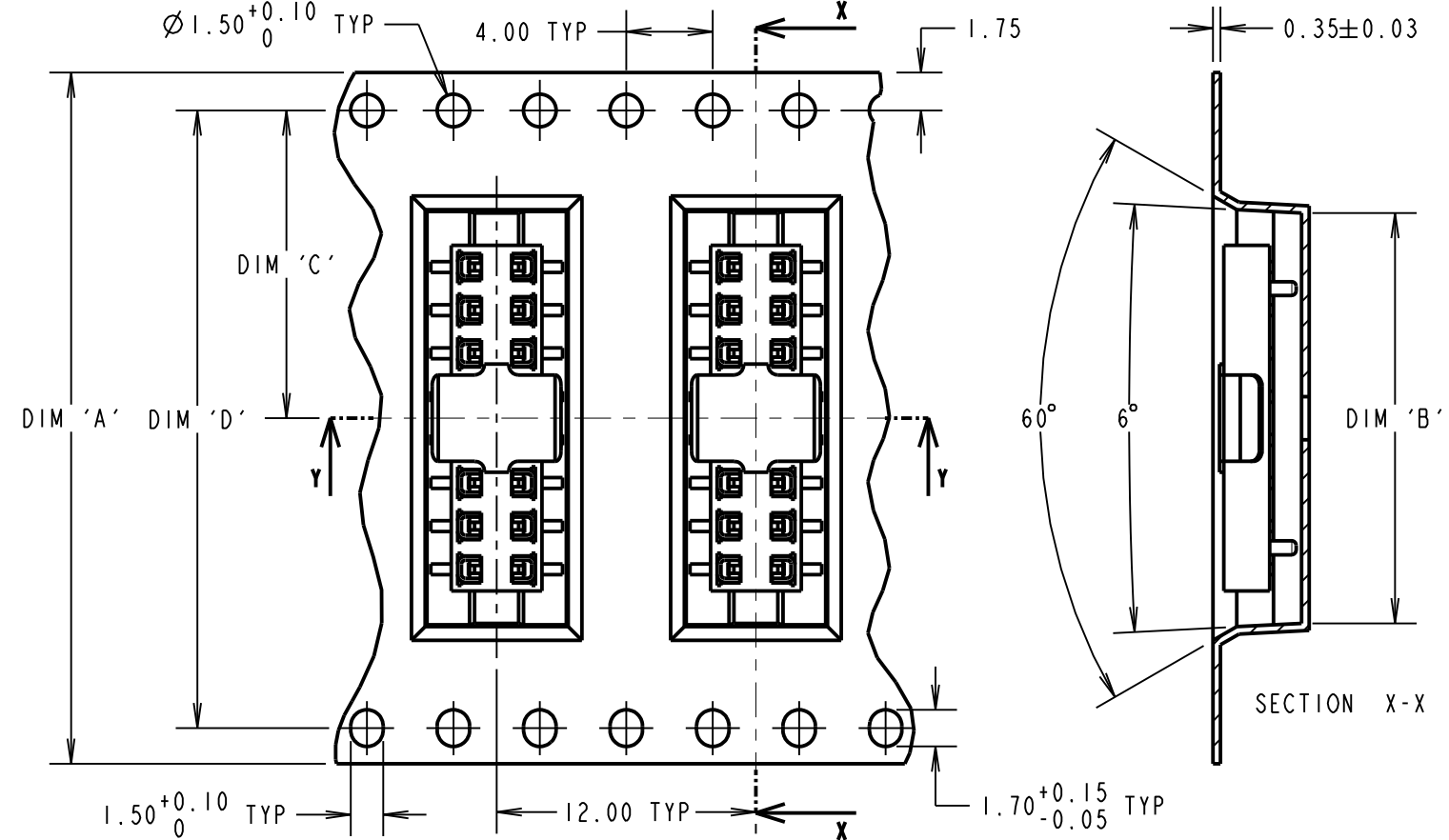
THIRD ANGLE PROJECTION

ALL DIMENSIONS IN mm

**TAPE DETAILS FOR  
04 TO 06 WAYS PER ROW**



**TAPE DETAILS FOR  
07, 17, 20 & 21 WAYS PER ROW**

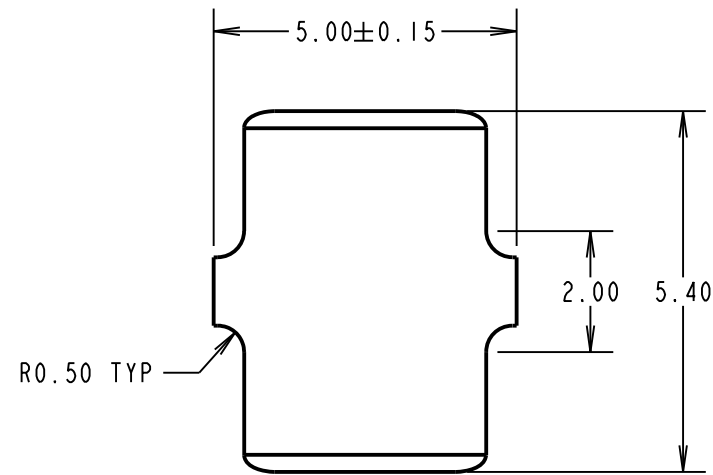


ORDER CODE:

**M22-636XXXXR**

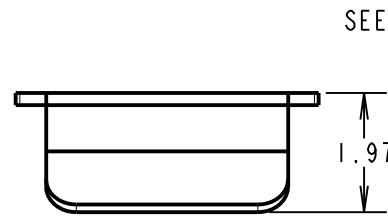
No. OF WAYS PER ROW  
04, 06, 07, 17, 20 & 21

FINISH:  
42 - SELECTIVE GOLD + 100% TIN  
46 - 100% TIN

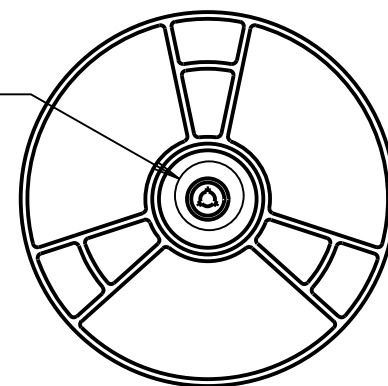


- NOTES:
- FOR CONNECTOR DIMENSIONS SEE M22-636XXXX.
  - QUANTITY OF COMPONENTS PER REEL = 1200.
  - PICK AND PLACE CAP TO BE PLACED CENTRALLY ON COMPONENT.

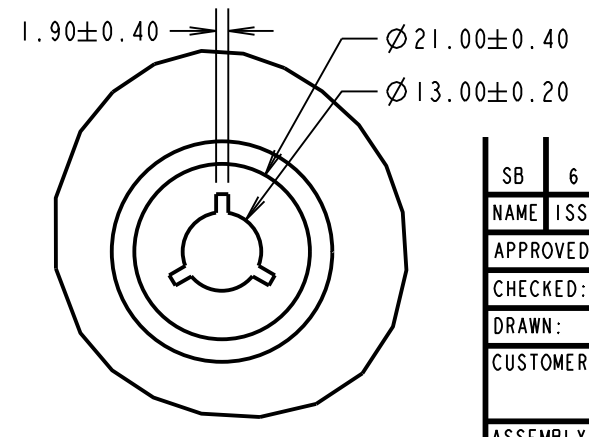
HARWIN PART No.	DIM 'A'	DIM 'B'	DIM 'C'	DIM 'D'
M22-63604XXR	24.00	8.45	11.50	
M22-63606XXR		12.45	14.20	
M22-63607XXR	32.00	14.45		28.40
M22-63617XXR	56.00	34.45	26.20	52.40
M22-63620XXR		40.45		
M22-63621XXR		42.45		



**PICK & PLACE CAP  
DIMENSIONS (SEE NOTE 3)**



**REEL DETAILS**



**DETAIL VIEW A**

SB	6	28.06.11	11345
NAME	ISS.	DATE	C/NOTE
APPROVED:		S.BENNETT	
CHECKED:		R.ADDE	
DRAWN:		W. J. BOURNE	
CUSTOMER REF.:			
ASSEMBLY DRG:			

**HARWIN**

HARWIN USA  
TEL: 603 893 5376  
FAX: 603 893 5396  
mis@harwin.com

HARWIN Europe (UK)  
TEL: 023 9231 4545  
FAX: 023 9231 4590  
mis@harwin.co.uk

HARWIN Asia  
TEL: +65 6 779 4909  
FAX: +65 6 779 3868  
mis@harwin.com.sg

THIS DRAWING AND ANY INFORMATION OR DESCRIPTIVE MATTER SET OUT HEREON ARE CONFIDENTIAL AND COPYRIGHT PROPERTY OF THE HARWIN GROUP AND MUST NOT BE DISCLOSED, LOANED, COPIED OR USED FOR MANUFACTURING, TENDERING OR FOR ANY OTHER PURPOSE WITHOUT THEIR WRITTEN PERMISSION.

TOLERANCES  
X. = ±1mm  
X.X = ±0.25mm  
X.XX = ±0.10mm  
X.XXX = ±0.01mm  
ANGLES = ±5°  
UNLESS STATED

MATERIAL:  
SEE NOTE 1  
FINISH: SEE NOTE 1  
S/AREA: mm<sup>2</sup>

TITLE: 2mm PITCH DIL SMT  
VERTICLE LOW-PROFILE SOCKET  
(TAPE AND REEL)

DRAWING NUMBER:  
**M22-636XXXXR**

SHT  
2 OF 2