

Customer Information Sheet

DRAWING No.: M22-532XXXXR

SHEET 3 OF 4

IF IN DOUBT - ASK

(C)

NOT TO SCALE

THIRD ANGLE PROJECTION

ALL DIMENSIONS IN mm

SPECIFICATIONS:

MATERIAL:
 MOULDING, PICK & PLACE CAP = NYLON 6T, UL94V-0, BLACK
 CONTACTS = PHOSPHOR BRONZE

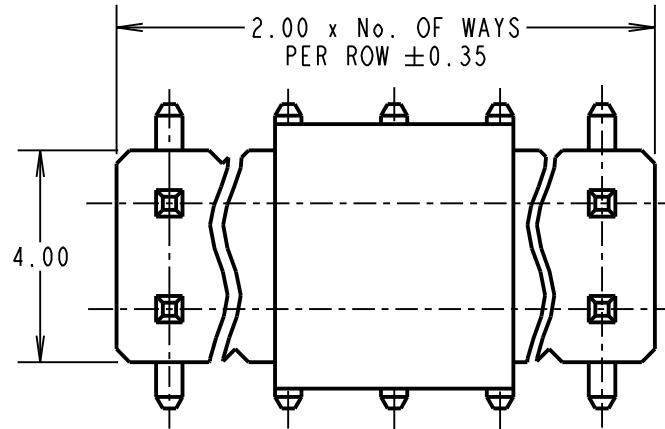
FINISH:
 05 = GOLD
 46 = 100% TIN, OVER NICKEL

ELECTRICAL:
 CURRENT RATING = 1A
 CONTACT RESISTANCE = 20 mΩ MAX (GOLD), 30 mΩ MAX (TIN)
 INSULATION RESISTANCE = 100 MΩ MIN

MECHANICAL:
 DURABILITY = 300 OPERATIONS (GOLD), 50 OPERATIONS (TIN)
 DIELECTRIC STRENGTH = 650V AC/DC

ENVIRONMENTAL:
 TEMPERATURE RANGE = -40°C TO +105°C

FOR COMPLETE SPECIFICATION, SEE COMPONENT SPECIFICATION CO18XX (LATEST ISSUE)



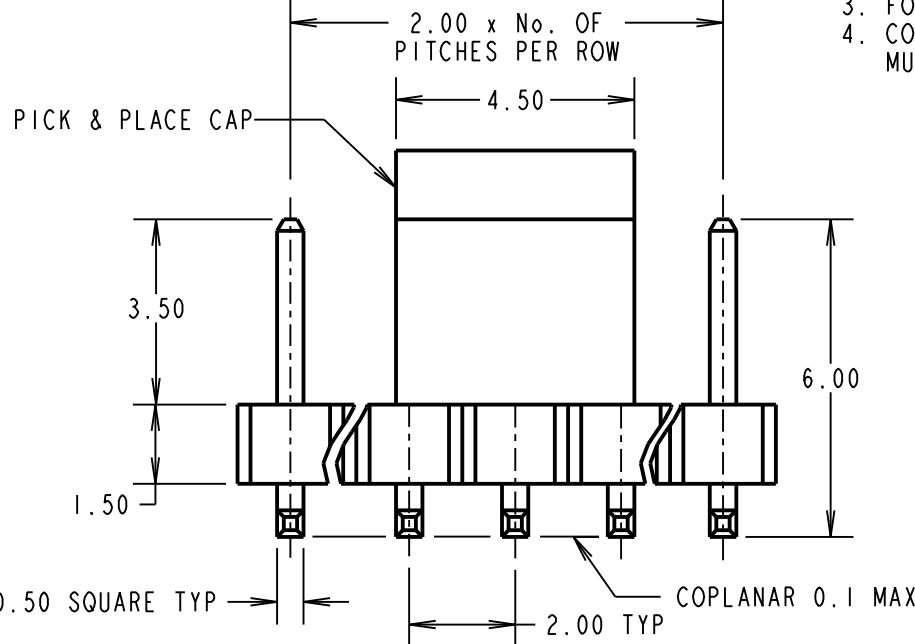
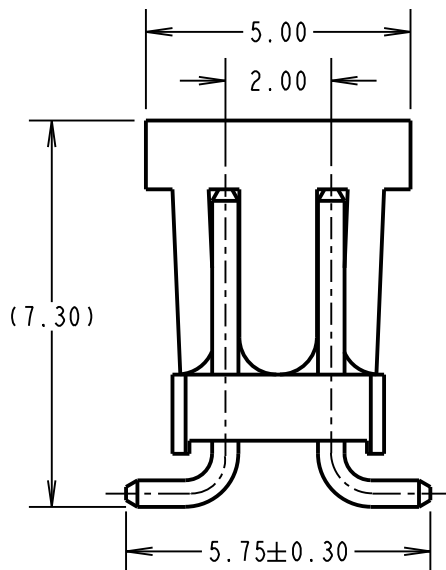
ORDER CODE:

M22-532XXXXR

No. OF WAYS PER ROW
 02, 03, 05, 07, 08, 09, 10, 11
 FINISH
 05 - GOLD
 46 - 100% TIN, OVER NICKEL

NOTES:

1. ALL TOLERANCES ARE ±0.25 UNLESS OTHERWISE STATED.
2. SEE DRAWING M22-532XXXXP FOR PICK AND PLACE VERSION, M22-532XXXX FOR STANDARD PRODUCT.
3. FOR TAPE & REEL DETAILS, SEE SHEET 4.
4. CO-PLANARITY: FLATNESS OF SMT TAILS MUST NOT EXCEED 0.1mm.



RA	11	24.08.10	10904
NAME	ISS.	DATE	C/NOTE
APPROVED:		R. ADDE	
CHECKED:		M.G. PLESTED	
DRAWN:		J. KEIR	
CUSTOMER REF.:			
ASSEMBLY DRG:			

HARWIN

HARWIN USA TEL: 603 893 5376 FAX: 603 893 5396 mis@harwin.com	HARWIN Europe (UK) TEL: 023 9231 4545 FAX: 023 9231 4590 mis@harwin.co.uk	HARWIN Asia TEL: +65 6 779 4909 FAX: +65 6 779 3868 mis@harwin.com.sg
--	--	--

THIS DRAWING AND ANY INFORMATION OR DESCRIPTIVE MATTER SET OUT HEREON ARE CONFIDENTIAL AND COPYRIGHT PROPERTY OF THE HARWIN GROUP AND MUST NOT BE DISCLOSED, LOANED, COPIED OR USED FOR MANUFACTURING, TENDERING OR FOR ANY OTHER PURPOSE WITHOUT THEIR WRITTEN PERMISSION.

TOLERANCES

~~X = ±1mm~~
~~X.X = ±0.25mm~~
~~X.XX = ±0.10mm~~
~~X.XXX = ±0.01mm~~

ANGLES = ±5°

UNLESS STATED

MATERIAL:
SEE ABOVE

FINISH: SEE ABOVE

S/AREA: mm²

TITLE: 2.00mm PITCH DIL SMT PIN HEADER ASSEMBLY (WITH P/PLACE CAP, T/REEL)

DRAWING NUMBER: M22-532XXXXR

SHT 3 OF 4

Customer Information Sheet

DRAWING No.: M22-532XXXXR

SHEET 4 OF 4

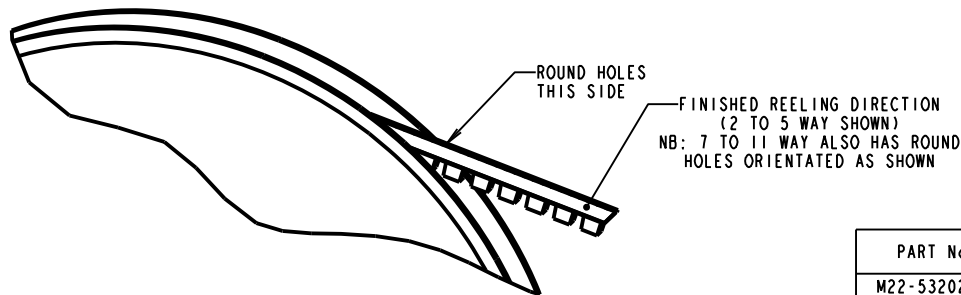
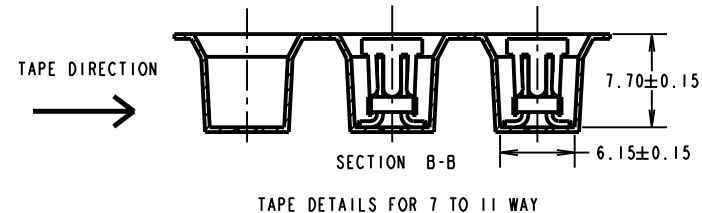
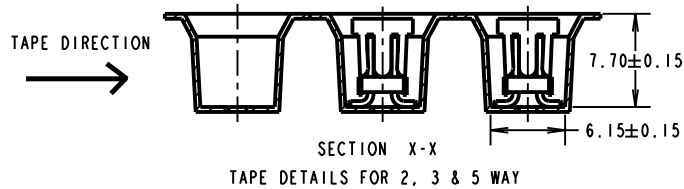
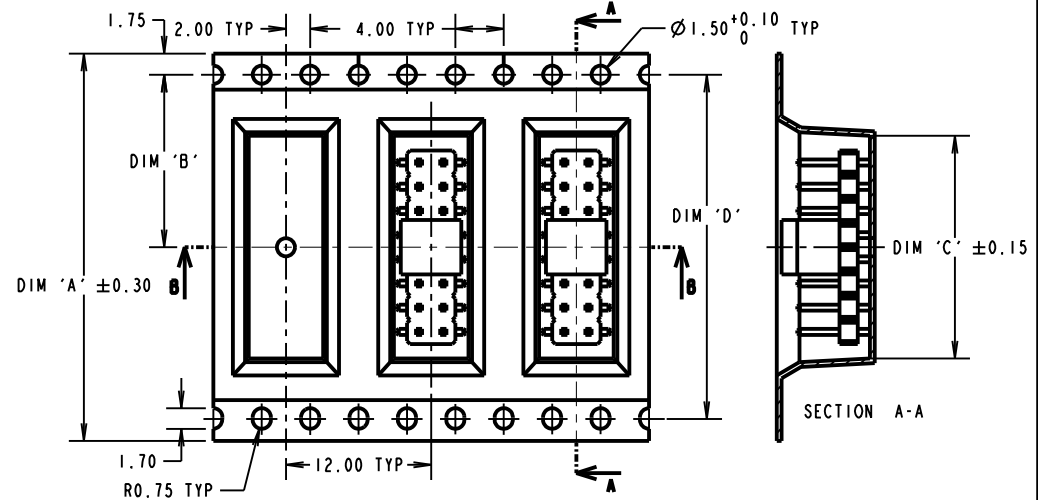
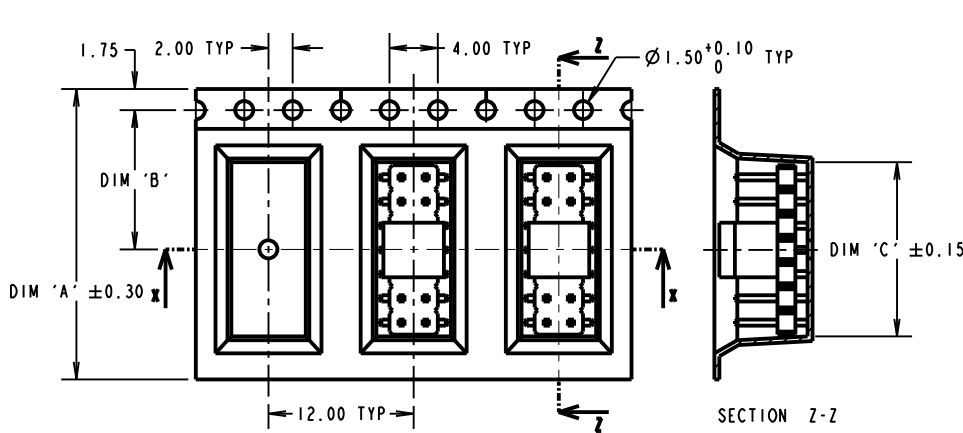
IF IN DOUBT - ASK

Ⓢ

NOT TO SCALE

THIRD ANGLE PROJECTION

ALL DIMENSIONS IN mm



- NOTES:
1. QUANTITY PER REEL = 700 PIECES.
 2. FOR CONNECTOR DETAILS, SEE SHEET 3.
 3. SEE DRAWING M22-532XXXXP FOR PICK & PLACE VERSION & M22-532XXXXX FOR STANDARD PRODUCT.

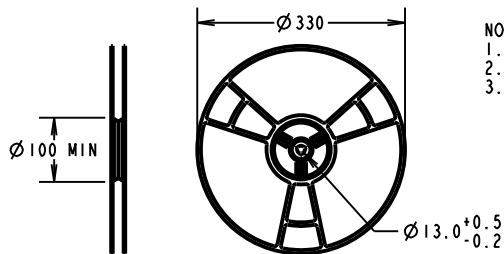
PART No.	DIM 'A'	DIM 'B'	DIM 'C'	DIM 'D'
M22-53202XXR	16.00	7.50	4.20	N/A
M22-53203XXR	16.00	7.50	6.20	N/A
M22-53205XXR	24.00	11.50	10.20	N/A
M22-53207XXR	32.00	14.20	14.40	28.40
M22-53208XXR	32.00	14.20	16.40	28.40
M22-53209XXR	32.00	14.20	18.40	28.40
M22-53210XXR	44.00	20.20	20.40	40.40
M22-53211XXR	44.00	20.20	22.40	40.40

RA	11	24.08.10	10904
NAME	ISS.	DATE	C/NOTE
APPROVED: R. ADDE			
CHECKED: M.G. PLESTED			
DRAWN: J. KEIR			
CUSTOMER REF.:			
ASSEMBLY DRG:			

ORDER CODE:
M22-532XXXXR

No. OF WAYS PER ROW
02, 03, 05, 07, 08, 09,
10, 11

FINISH:
05 - GOLD
46 - 100% TIN



HARWIN

HARWIN USA TEL: 603 893 5376 FAX: 603 893 5396 mis@harwin.com	HARWIN Europe (UK) TEL: 023 9231 4545 FAX: 023 9231 4590 mis@harwin.co.uk	HARWIN Asia TEL: +65 6 779 4909 FAX: +65 6 779 3868 mis@harwin.com.sg
--	--	--

THIS DRAWING AND ANY INFORMATION OR DESCRIPTIVE MATTER SET OUT HEREON ARE CONFIDENTIAL AND COPYRIGHT PROPERTY OF THE HARWIN GROUP AND MUST NOT BE DISCLOSED, LOANED, COPIED OR USED FOR MANUFACTURING, TENDERING OR FOR ANY OTHER PURPOSE WITHOUT THEIR WRITTEN PERMISSION.

TOLERANCES
X. : ±1mm
X.X : ±0.25mm
X.XX : ±0.10mm
X.XXX : ±0.01mm
ANGLES = 2±5°
UNLESS STATED

MATERIAL:
SEE ABOVE
FINISH: SEE ABOVE
S/AREA: mm²

TITLE: 2.00mm PITCH DIL SMT PIN HEADER ASSEMBLY (WITH P/PLACE CAP, T/REEL)

DRAWING NUMBER:
M22-532XXXXR

SHT 4 OF 4