

Customer Information Sheet

DRAWING No.: M22-267XXX

SHEET 2 OF 2

IF IN DOUBT - ASK

(C)

NOT TO SCALE

THIRD ANGLE PROJECTION

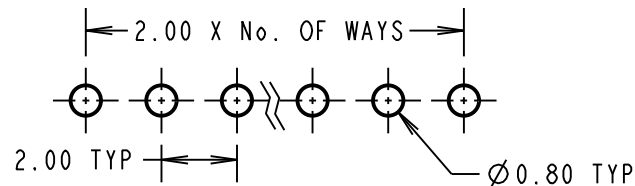
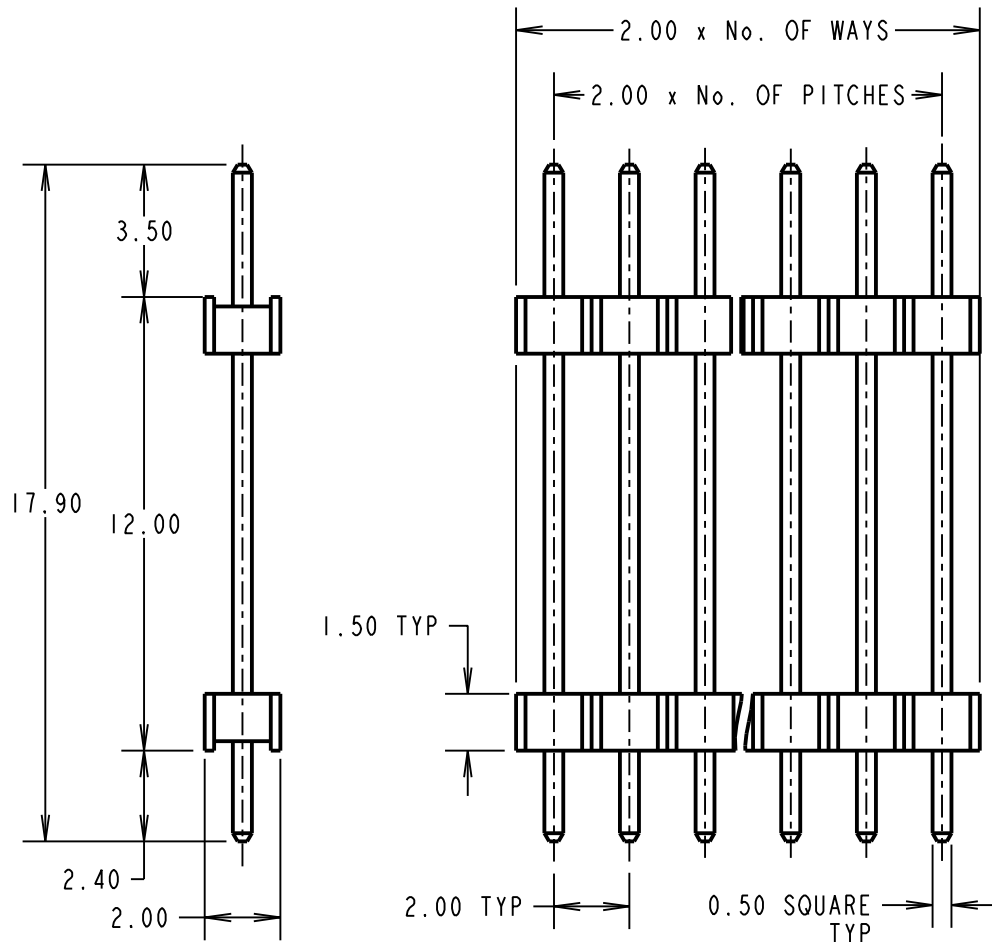
ALL DIMENSIONS IN mm

NOTES:

1. ALL TOLERANCES ARE ± 0.25 UNLESS OTHERWISE STATED.

SPECIFICATIONS:

MATERIAL:
 MOULDING = NYLON 6T, UL94V-0, BLACK
 CONTACT = PHOSPHOR BRONZE
FINISH:
 05 = GOLD
 46 = 100% TIN
ELECTRICAL:
 CURRENT RATING = 1A
 CONTACT RESISTANCE = 30 mΩ MAX
 INSULATION RESISTANCE = 100 MΩ MIN
 DIELECTRIC STRENGTH = 650V AC/DC
ENVIRONMENTAL:
 TEMPERATURE RANGE = -40°C TO +105°C
PACKING:
 BAG
 FOR COMPLETE SPECIFICATION, SEE
 COMPONENT SPECIFICATION C018XX
 (LATEST ISSUE)



ORDER CODE:

M22-267XXX

NO. OF WAYS:

02 TO 50

FINISH:

05 = GOLD OVER NICKEL
 46 = 100% TIN OVER NICKEL

SM	6	20.10.10	10984
NAME	ISS.	DATE	C/NOTE
APPROVED: S. MCCULLAGH			
CHECKED:		R. ADDE	
DRAWN:		D. BECK	
CUSTOMER REF.:			
ASSEMBLY DRG:			

HARWIN

HARWIN USA
 TEL: 603 893 5376
 FAX: 603 893 5396
 mis@harwin.com

HARWIN Europe (UK)
 TEL: 023 9231 4545
 FAX: 023 9231 4590
 mis@harwin.co.uk

HARWIN Asia
 TEL: +65 6 779 4909
 FAX: +65 6 779 3868
 mis@harwin.com.sg

THIS DRAWING AND ANY INFORMATION OR DESCRIPTIVE MATTER SET OUT HEREON ARE CONFIDENTIAL AND COPYRIGHT PROPERTY OF THE HARWIN GROUP AND MUST NOT BE DISCLOSED, LOANED, COPIED OR USED FOR MANUFACTURING, TENDERING OR FOR ANY OTHER PURPOSE WITHOUT THEIR WRITTEN PERMISSION.

TOLERANCES
 X = ± 1 mm
 X.X = ± 0.25 mm
 X.XX = ± 0.10 mm
 X.XXX = ± 0.01 mm
 ANGLES = $\pm 5^\circ$
 UNLESS STATED

MATERIAL:
 SEE ABOVE
FINISH:
 SEE ABOVE
S/AREA: mm²

TITLE:
 2.00mm PITCH SIL
 EXTENDED PC TAIL PIN HEADER
DRAWING NUMBER:
M22-267XXX
 SHT 2 OF 2