

Customer Information Sheet

DRAWING No.: M20-E03XXXX

SHEET 2 OF 2

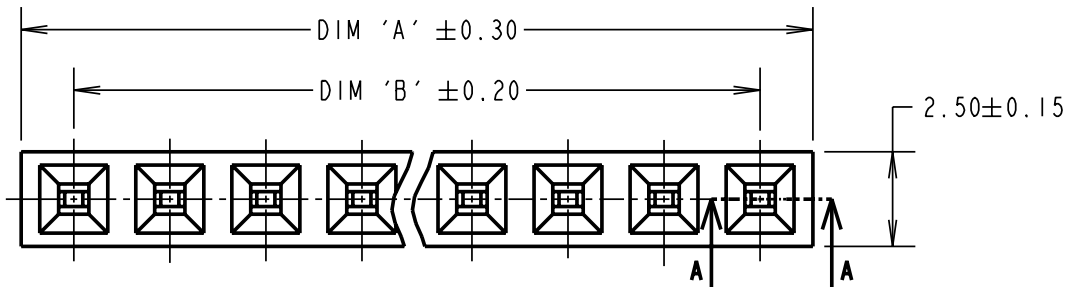
IF IN DOUBT - ASK

©

NOT TO SCALE

THIRD ANGLE PROJECTION

ALL DIMENSIONS IN mm



PART No.	No. OF CONTACTS	DIM 'A'	DIM 'B'
M20-E0302XX	2	5.58	2.54
M20-E0303XX	3	8.12	5.08
M20-E0304XX	4	10.66	7.62
M20-E0305XX	5	13.20	10.16
M20-E0306XX	6	15.74	12.70
M20-E0308XX	8	20.82	17.78
M20-E0310XX	10	25.90	22.86

SPECIFICATIONS:

MATERIAL:

MOULDING = 30% GLASS-FILLED PA6T, UL94V-0, BLACK
CONTACT = PHOSPHOR BRONZE

FINISH:

CONTACT = 100% TIN OVER NICKEL

ELECTRICAL:

CURRENT RATING = 3A

VOLTAGE RATING = 500V AC/DC

CONTACT RESISTANCE:

INITIAL = 20mΩ MAX

AFTER CONDITIONING = 30mΩ MAX

INSULATION RESISTANCE = 1,000MΩ MIN

DIELECTRIC STRENGTH = 1,000V AC / 1 MINUTE

MECHANICAL:

DURABILITY = 300 OPERATIONS

INSERTION FORCE = 3N MAX

WITHDRAWAL FORCE = 0.3N MIN

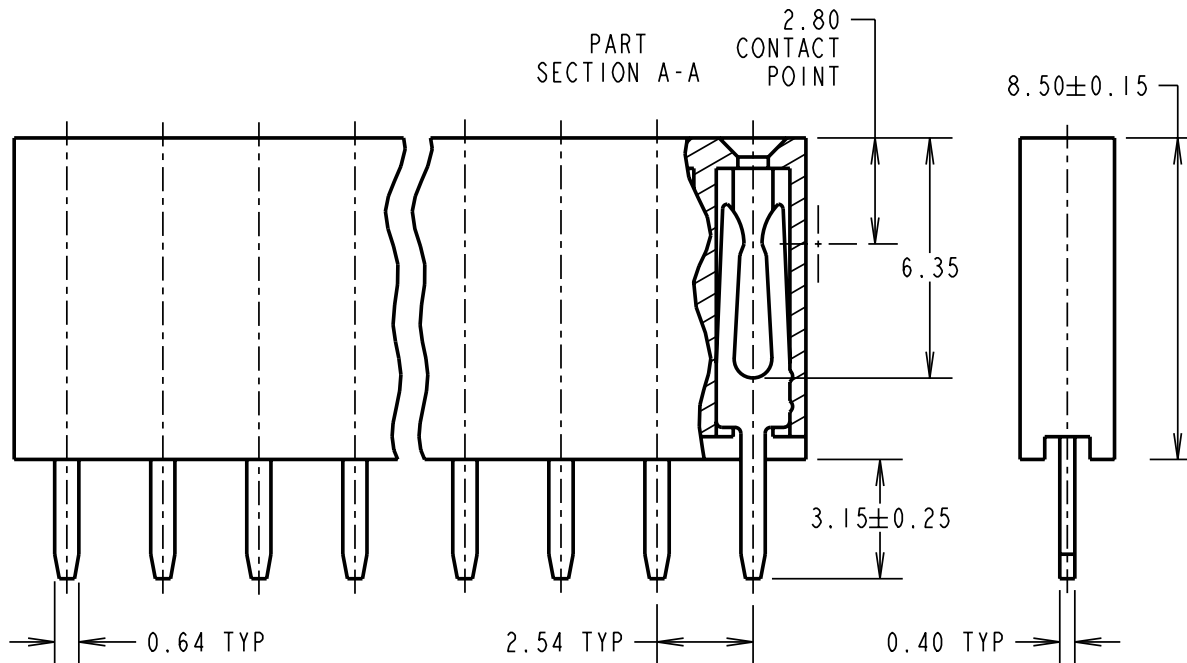
ENVIRONMENTAL:

TEMPERATURE RANGE = -40°C TO +105°C

PACKING:

BOX

Asia only



ORDER CODE: **M20-E03XXXX**

No. OF CONTACTS PER ROW _____
02 TO 06, 08, 10

FINISH _____
46 = 100% TIN

WJB	2	17.03.08	9975
WJB	1	08.02.08	----
NAME	ISS.	DATE	C/NOTE
APPROVED: M. G. PLESTED			
CHECKED: R. ADDE			
DRAWN: W. J. BOURNE			
CUSTOMER REF.:			
ASSEMBLY DRG:			

NOTES:
1. RECOMMENDED PCB HOLE SIZE = $\varnothing 1.02 \pm 0.05$ mm.

HARWIN

THIS DRAWING AND ANY INFORMATION OR DESCRIPTIVE MATTER SET OUT HEREON ARE CONFIDENTIAL AND COPYRIGHT PROPERTY OF THE HARWIN GROUP AND MUST NOT BE DISCLOSED, LOANED, COPIED OR USED FOR MANUFACTURING, TENDERING OR FOR ANY OTHER PURPOSE WITHOUT THEIR WRITTEN PERMISSION.

TOLERANCES

X. = ± 1 mm
X.X = ± 0.25 mm
X.XX = ± 0.10 mm
X.XXX = ± 0.01 mm
ANGLES = $\pm 5^\circ$
UNLESS STATED

MATERIAL:

SEE ABOVE

FINISH: SEE ABOVE

S/AREA: mm²

TITLE:

2.54mm PITCH SIL VERTICAL SOCKET ASSY (TUNING FORK)

DRAWING NUMBER:

M20-E03XXXX

SHT 2 OF 2

HARWIN INC U.S.A. TEL: 603 893 5376 FAX: 603 893 5396 mis@harwin.com	HARWIN PLC Europe (U.K.) TEL: 023 9231 4545 FAX: 023 9231 4590 mis@harwin.co.uk	HARWIN PTE Asia (Singapore) TEL: +65 6779 4909 FAX: +65 6779 3868 mis@harwin.com.sg
--	---	---