

Customer Information Sheet

DRAWING No.: M20-891XX05

SHEET 2 OF 2

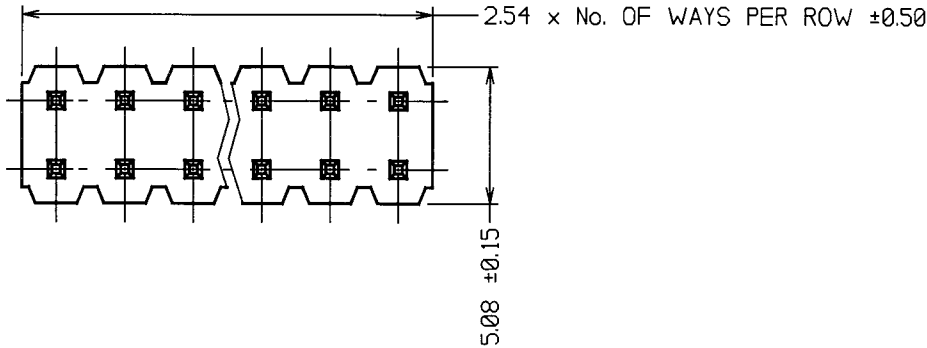
IF IN DOUBT - ASK

©

NOT TO SCALE

THIRD ANGLE PROJECTION

ALL DIMENSIONS IN mm



ORDER CODE:

M20-891XX05

No. OF WAYS _____
02 TO 36

SPECIFICATION:

MATERIAL:

MOULDING - NYLON 6T UL94V-0, BLACK
CONTACT - BRASS

FINISH:

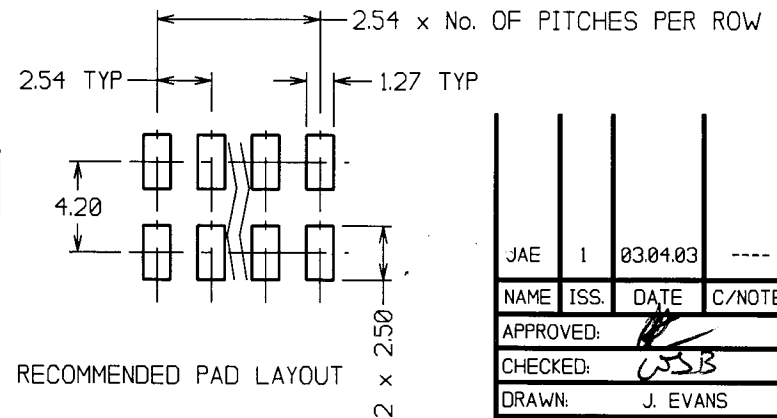
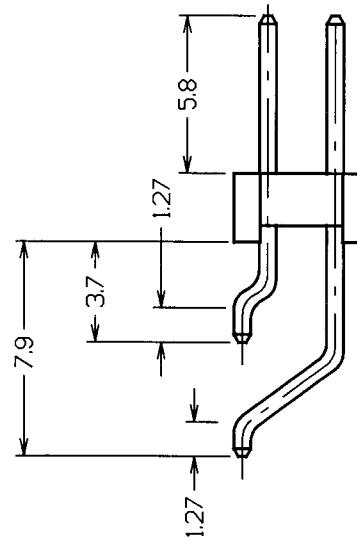
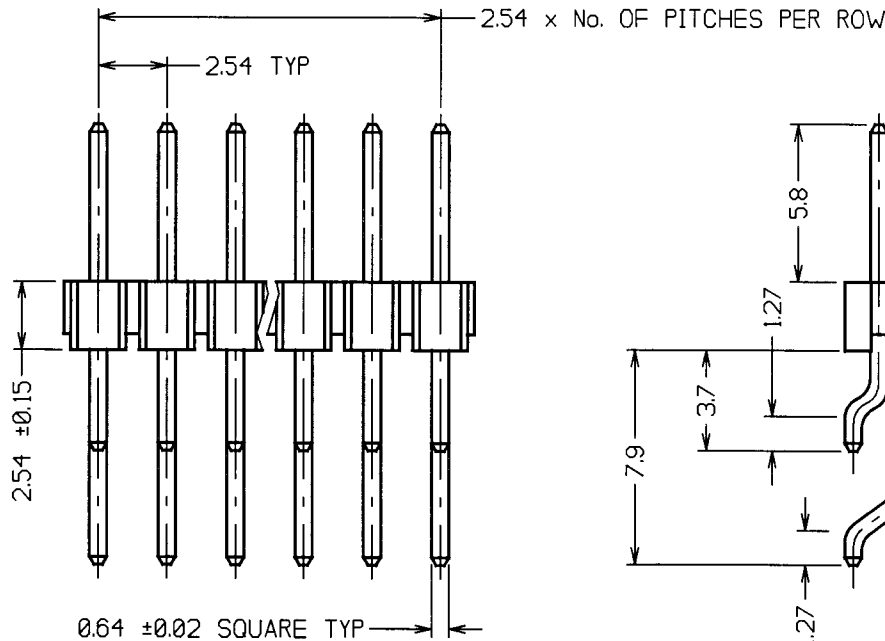
CONTACT - GOLD

ELECTRICAL:

CURRENT RATING - 3.0A
CONTACT RESISTANCE - 20 MILLIOHMS MAX
DIELECTRIC STRENGTH - 500V AC/MINUTE
INSULATION RESISTANCE - 5,000 MEGOHMS MIN

ENVIRONMENTAL:

TEMPERATURE RANGE - -40°C TO +105°C
FOR COMPLETE SPECIFICATION, SEE COMPONENT SPECIFICATION C001XX (LATEST ISSUE)



JAE	1	03.04.03	----
NAME	ISS.	DATE	C/NOTE
APPROVED: <i>[Signature]</i>			
CHECKED: <i>[Signature]</i>			
DRAWN:		J. EVANS	
CUSTOMER REF.:			
ASSEMBLY DRG.:			

HARWIN

HARWIN INC
U.S.A.
TEL: (812) 285 0055
FAX: (812) 285 0056

HARWIN PLC
UK.
TEL: 023 9237 0451
FAX: 023 9231 4590

HARWIN PTE
SINGAPORE
TEL: 65 7794909
FAX: 65 7793868

THIS DRAWING AND ANY INFORMATION OR DESCRIPTIVE MATTER SET OUT HEREON ARE CONFIDENTIAL AND COPYRIGHT PROPERTY OF THE HARWIN GROUP AND MUST NOT BE DISCLOSED, LOANED, COPIED OR USED FOR MANUFACTURING, TENDERING OR FOR ANY OTHER PURPOSE WITHOUT THEIR WRITTEN PERMISSION

TOLERANCES
X. - ±1mm
X.X - ±0.25mm
X.XX - ±0.10mm
X.XXX - ±0.01mm
ANGLES - ±5°
UNLESS STATED

MATERIAL:
SEE ABOVE

FINISH:
SEE ABOVE

S/AREA: mm²

TITLE:
2.54mm PITCH DIL HORIZONTAL SMT PIN HEADER ASSEMBLY

DRAWING NUMBER:
M20-891XX05

SHT 2 OF 2