

Customer Information Sheet

DRAWING No.: M20-789XXX

SHEET 2 OF 2

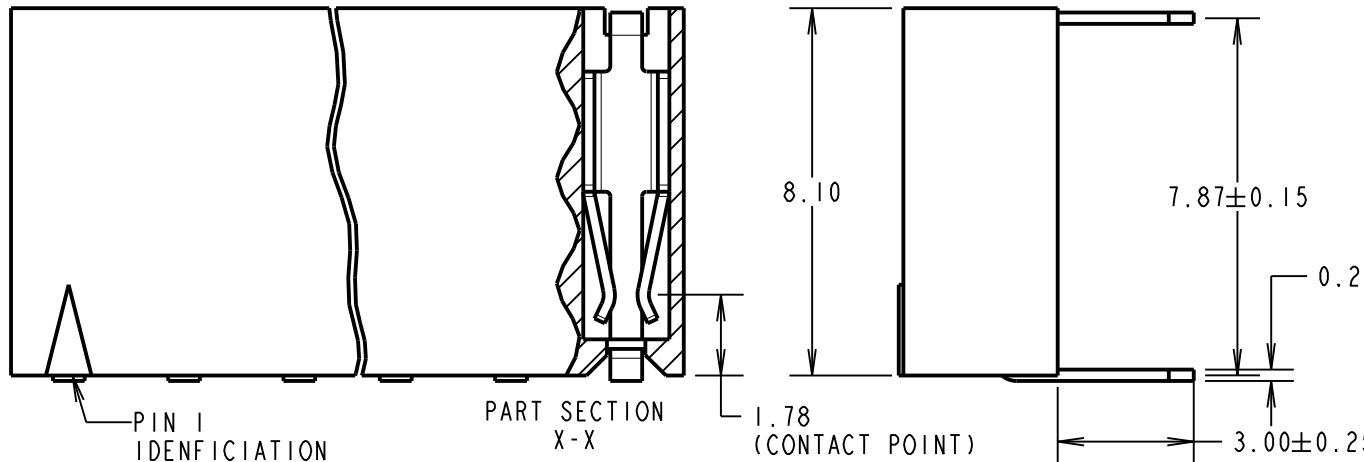
IF IN DOUBT - ASK

(C)

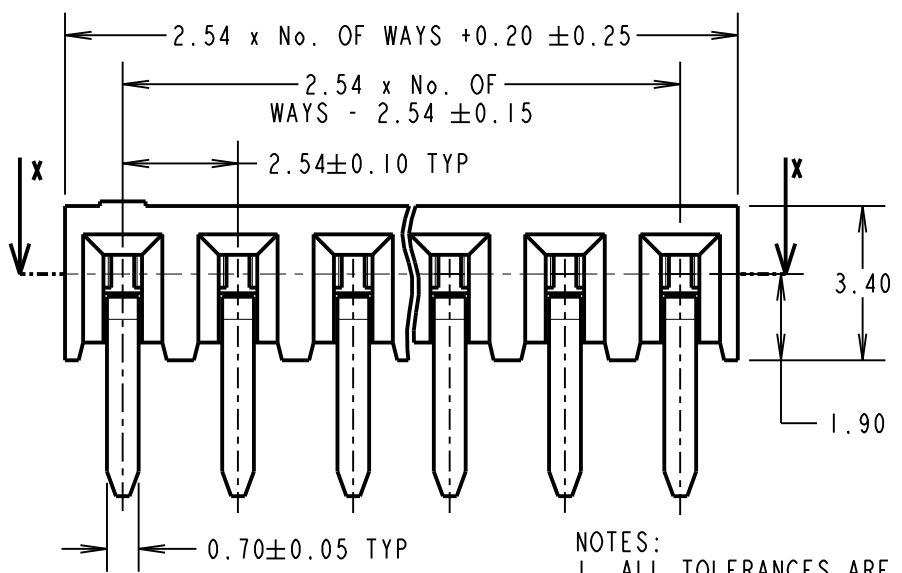
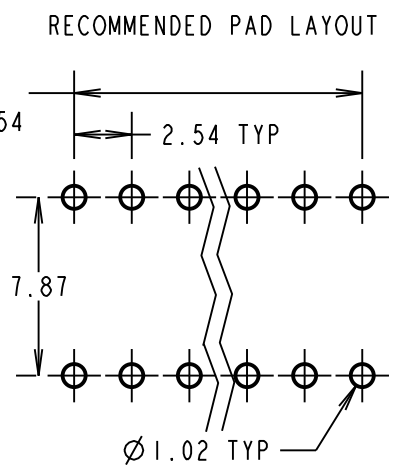
NOT TO SCALE

THIRD ANGLE PROJECTION

ALL DIMENSIONS IN mm



ORDER CODE: **M20-789XXX**
 No. OF WAYS _____
 02 TO 40
 FINISH: _____
 42 - SELECTIVE GOLD + 100% TIN
 46 - 100% TIN



SPECIFICATION:
MATERIAL:
 MOULDING = NYLON 6T UL94V-0, BLACK
 CONTACTS = COPPER ALLOY
FINISH (OVER NICKEL):
 42 = GOLD ON CONTACT AREA,
 100% TIN OVER NICKEL ON TAILS
 46 = 100% TIN OVER NICKEL
ELECTRICAL:
 CURRENT RATING = 3A
 VOLTAGE PROOF = 500V AC/DC
 CONTACT RESISTANCE = 20 mΩ MAX
 INSULATION RESISTANCE = 1,000 MΩ MIN.
ENVIRONMENTAL:
 TEMPERATURE RANGE = -40° TO +105°
MECHANICAL:
 INSERTION FORCE = 5N MAX.
 WITHDRAWAL FORCE = 0.2N MIN.
 DURABILITY = 50 OPERATIONS
PACKING:
 TUBE.
 FOR COMPLETE SPECIFICATION SEE COMPONENT SPECIFICATION C001XX (LATEST ISSUE)

NOTES:
 1. ALL TOLERANCES ARE ±0.20 UNLESS OTHERWISE STATED.

RA	II	23.05.11	11288
NAME	ISS.	DATE	C/NOTE
APPROVED:		R.ADDE	
CHECKED:		M.G.PLESTED	
DRAWN:		J. EVANS	
CUSTOMER REF.:			
ASSEMBLY DRG:			



HARWIN USA TEL: 603 893 5376 FAX: 603 893 5396 mis@harwin.com	HARWIN Europe (UK) TEL: 023 9231 4545 FAX: 023 9231 4590 mis@harwin.co.uk	HARWIN Asia TEL: +65 6 779 4909 FAX: +65 6 779 3868 mis@harwin.com.sg
---	---	---

THIS DRAWING AND ANY INFORMATION OR DESCRIPTIVE MATTER SET OUT HEREON ARE CONFIDENTIAL AND COPYRIGHT PROPERTY OF THE HARWIN GROUP AND MUST NOT BE DISCLOSED, LOANED, COPIED OR USED FOR MANUFACTURING, TENDERING OR FOR ANY OTHER PURPOSE WITHOUT THEIR WRITTEN PERMISSION.

TOLERANCES
~~X = ±1mm~~
~~X.X = ±0.25mm~~
~~X.XX = ±0.10mm~~
~~X.XXX = ±0.01mm~~
 ANGLES = ±5°
 UNLESS STATED

MATERIAL:
 SEE ABOVE
FINISH:
 SEE ABOVE
S/AREA:
 mm²

TITLE:
 2.54mm PITCH SIL PC TAIL
 HORIZONTAL SOCKET ASSEMBLY
DRAWING NUMBER:
M20-789XXX
 SHT 2 OF 2