

Customer Information Sheet

DRAWING No.: M20-787XXXXR

SHEET 4 OF 4

IF IN DOUBT - ASK

©

NOT TO SCALE

THIRD ANGLE PROJECTION

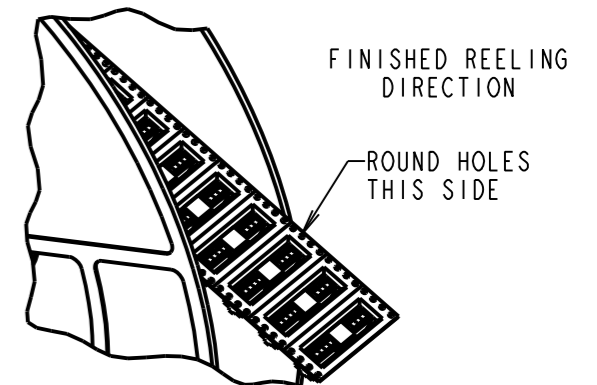
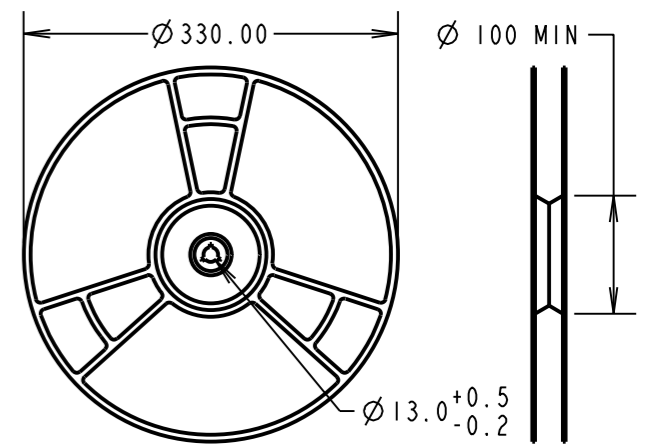
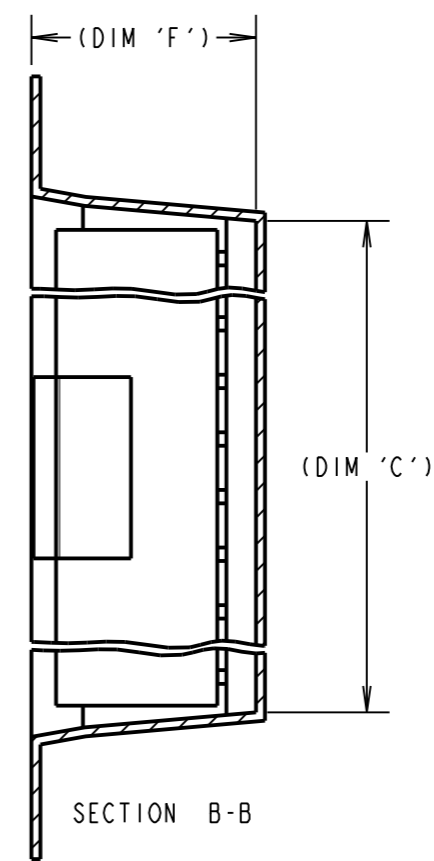
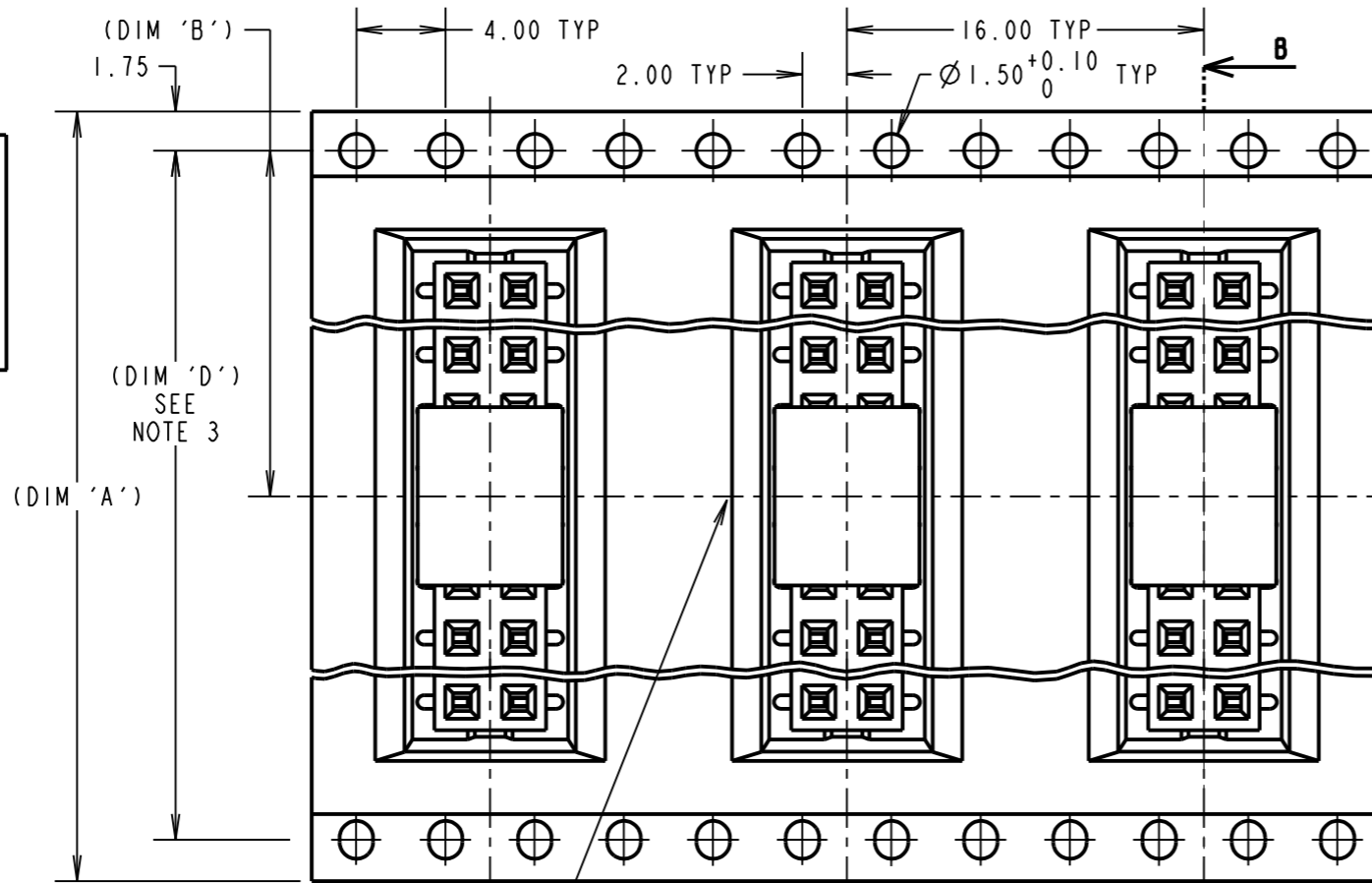
ALL DIMENSIONS IN mm

ORDER CODE:
M20-787XXXXR

No. OF WAYS
04, 12

FINISH
42 - SELECTIVE GOLD + 100% TIN

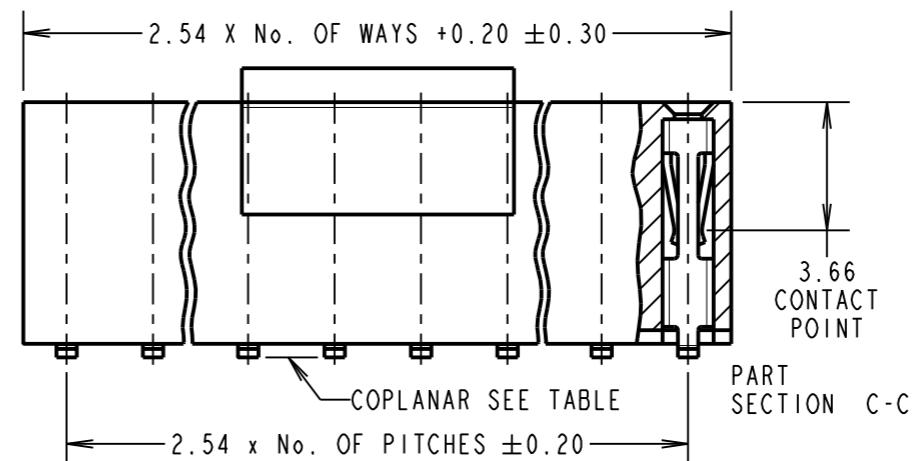
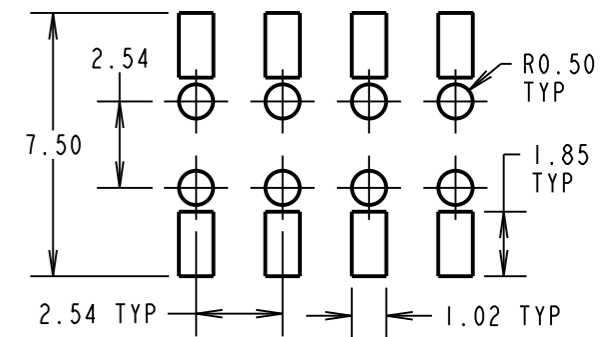
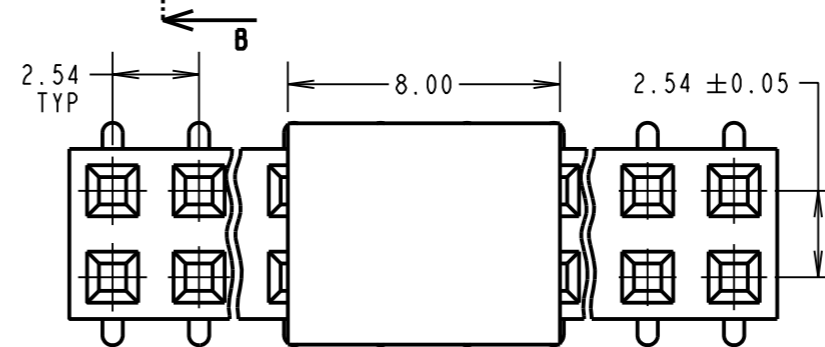
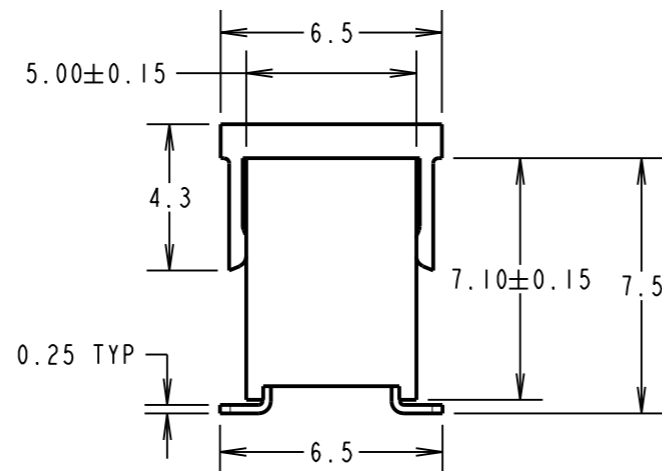
No OF CONTACTS	COPLANARITY TOLERANCE
2x02 TO 2x10	0.12mm MAX
2x11 TO 2x15	0.15mm MAX
2x16 TO 2x20	0.15mm MAX
2x21 TO 2x25	0.20mm MAX
2x26 TO 2x30	0.25mm MAX
2x31 TO 2x35	0.30mm MAX
2x36 TO 2x40	0.35mm MAX



PICK & PLACE CAP POSITIONED CENTRALLY

REELED PART No.	LOOSE PART No.	DIM 'A'	DIM 'B'	DIM 'C'	DIM 'D'	DIM 'F'
M20-7870442R	M20-7870442	(24.0±0.30)	(11.5±0.15)	(10.90)	(10.20)	(10.20)
M20-7871242R	M20-7871242	(44.0±0.30)	(20.2±0.15)	(31.10)	(40.40)	(9.90)

SPECIFICATION:
MATERIAL:
 MOULDING = NYLON 6T UL94V-0, BLACK
 CONTACTS = PHOSPHOR BRONZE
 FINISH (OVER NICKEL):
 42 = GOLD ON CONTACT AREA, 100% TIN ON TAILS
 46 = 100% TIN
ELECTRICAL:
 CURRENT RATING = 3A
 VOLTAGE PROOF = 600V AC FOR 1 MINUTE
 CONTACT RESISTANCE = 20mΩ MAX
 INSULATION RESISTANCE = 1,000MΩ MIN
MECHANICAL:
 INSERTION FORCE = 2.0N MAX
 WITHDRAWAL FORCE = 0.3N MIN
ENVIRONMENTAL:
 TEMPERATURE RANGE = -40° TO +105°
PACKING:
 REEL
 FOR COMPLETE SPECIFICATION SEE COMPONENT SPECIFICATION C001XX (LATEST ISSUE).



RECOMMENDED PCB LAYOUT ±0.05

SM	5	08.03.11	11156
NAME	ISS.	DATE	C/NOTE
APPROVED: S. MCCULLAGH			
CHECKED: R. ADDE			
DRAWN: R. ADDE			
CUSTOMER REF.:			
ASSEMBLY DRG.:			

- NOTES:**
- QUANTITY OF COMPONENTS PER REEL = 400
 - FOR COMPLETE SPECIFICATION, SEE COMPONENT SPECIFICATION C001XX (LATEST ISSUE).
 - HOLES NOT PRESENT ON 4 WAY TAPE.
 - CO-PLANARITY: FLATNESS OF SMT TAILS MUST NOT EXCEED VALUES GIVEN IN TABLE.

HARWIN

HARWIN USA
TEL: 603 893 5376
FAX: 603 893 5396
mis@harwin.com

HARWIN Europe (UK)
TEL: 023 9231 4545
FAX: 023 9231 4590
mis@harwin.co.uk

HARWIN Asia
TEL: +65 6 779 4909
FAX: +65 6 779 3868
mis@harwin.com.sg

THIS DRAWING AND ANY INFORMATION OR DESCRIPTIVE MATTER SET OUT HEREON ARE CONFIDENTIAL AND COPYRIGHT PROPERTY OF THE HARWIN GROUP AND MUST NOT BE DISCLOSED, LOANED, COPIED OR USED FOR MANUFACTURING, TENDERING OR FOR ANY OTHER PURPOSE WITHOUT THEIR WRITTEN PERMISSION.

TOLERANCES
 X. = ±1mm
 X.X = ±0.25mm
 X.XX = ±0.10mm
 X.XXX = ±0.01mm
 ANGLES = ±5°
 UNLESS STATED

MATERIAL:
 SEE ABOVE

FINISH:
 SEE ABOVE

S/AREA:
 mm²

TITLE: 2.54mm PITCH DIL VERTICAL FEMALE SMT SKT ASSY DUAL ENTRY

DRAWING NUMBER: M20-787XXXXR

SHT 4 OF 4