

Customer Information Sheet

DRAWING No.: M20-787XXX

SHEET 2 OF 2

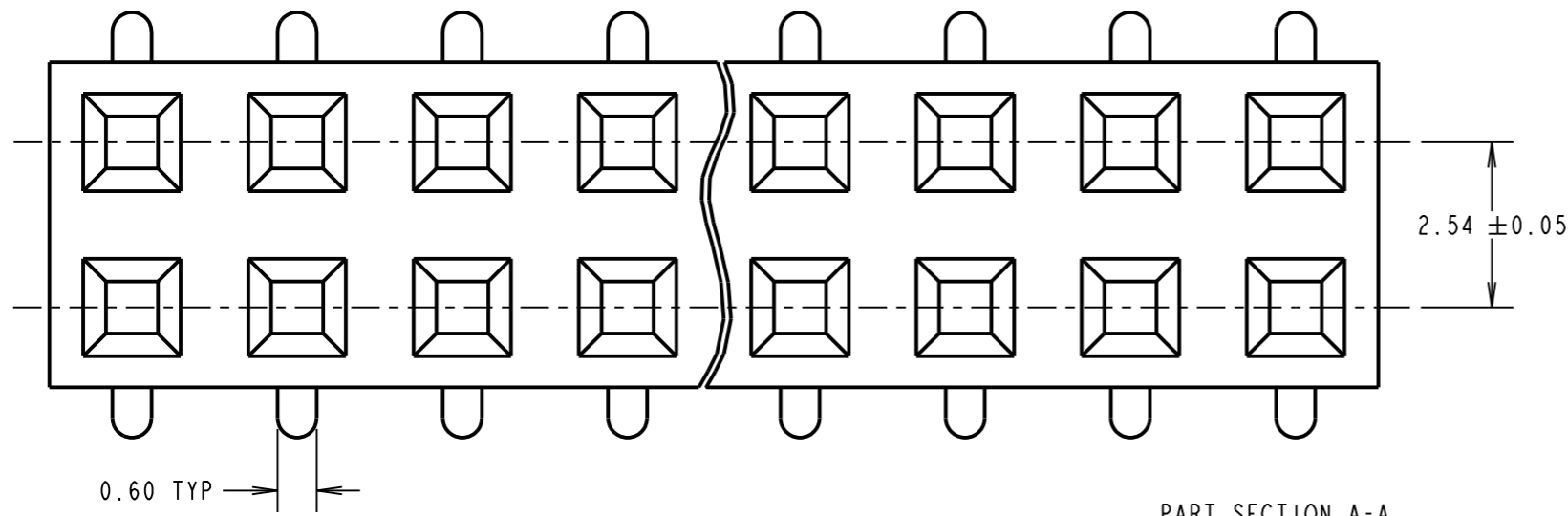
IF IN DOUBT - ASK

©

NOT TO SCALE

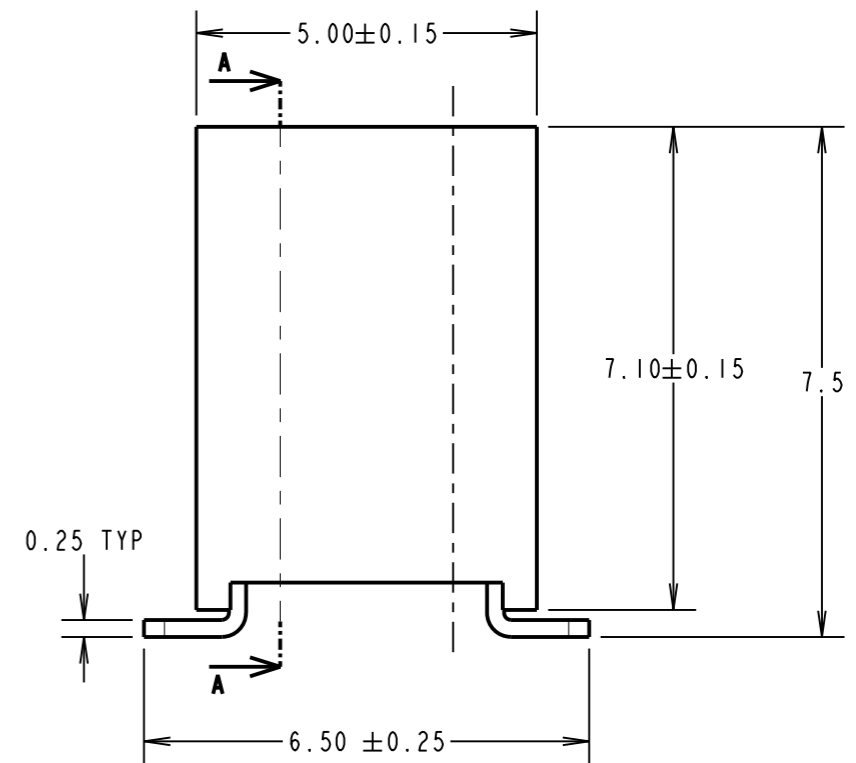
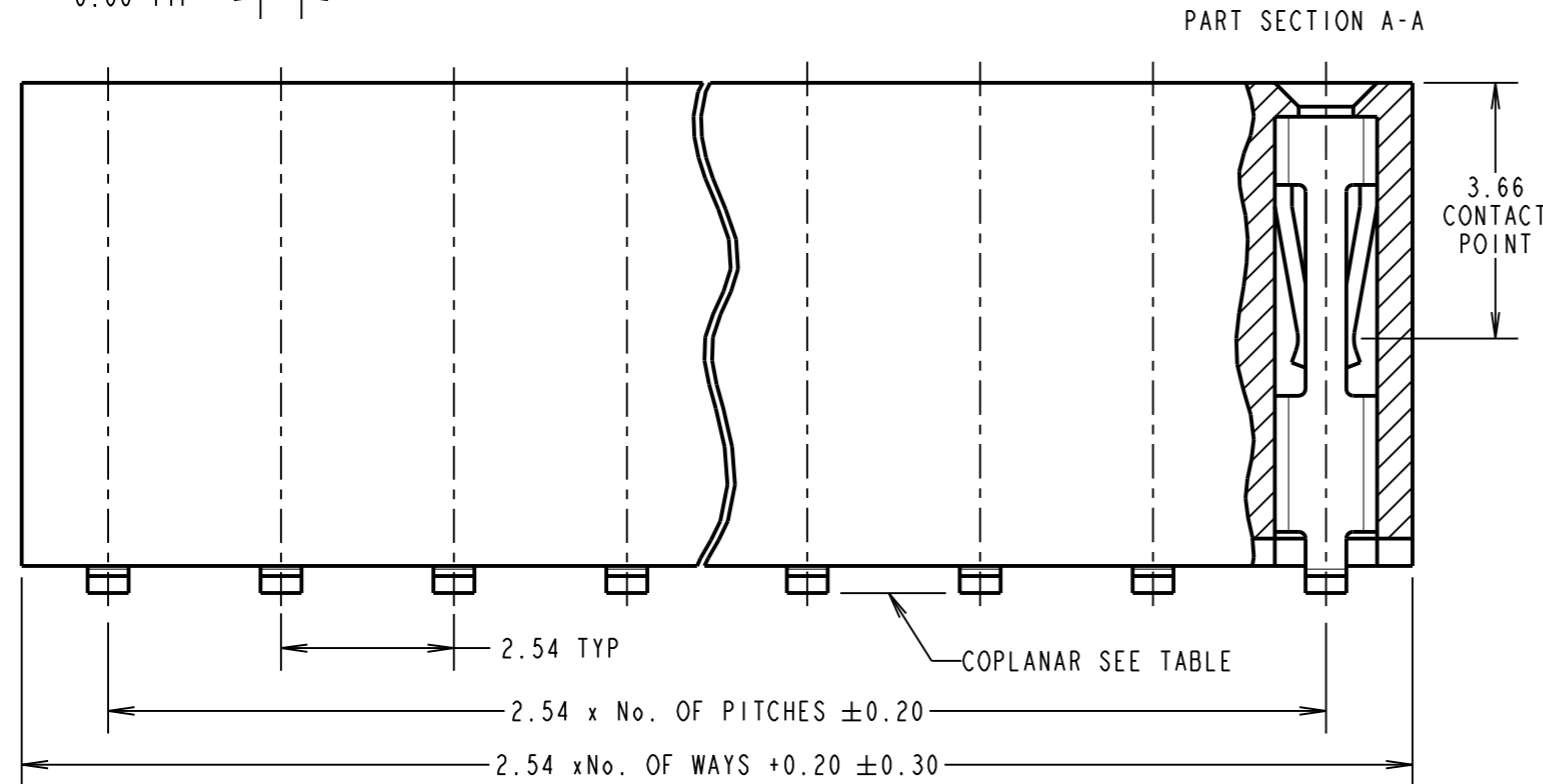
THIRD ANGLE PROJECTION

ALL DIMENSIONS IN mm

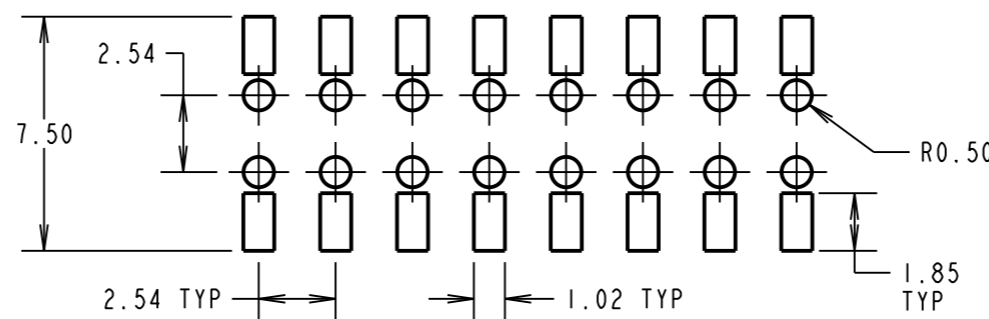


No OF CONTACTS	COPLANARITY TOLERANCE
2x02 TO 2x10	0.12mm MAX
2x11 TO 2x15	0.15mm MAX
2x16 TO 2x20	0.15mm MAX
2x21 TO 2x25	0.20mm MAX
2x26 TO 2x30	0.25mm MAX
2x31 TO 2x35	0.30mm MAX
2x36 TO 2x40	0.35mm MAX

NOTES:
1. CO-PLANARITY: FLATNESS OF SMT TAILS MUST NOT EXCEED VALUES GIVEN IN TABLE.



RECOMMENDED PCB LAYOUT ± 0.05



SPECIFICATION:

MATERIAL:
 MOULDING = NYLON 6T UL94V-0, BLACK
 CONTACTS = PHOSPHOR BRONZE
FINISH (OVER NICKEL):
 42 = GOLD ON CONTACT AREA, 100% TIN ON TAILS
 46 = 100% TIN

ELECTRICAL:
 CURRENT RATING = 3A
 VOLTAGE PROOF = 600V AC FOR 1 MINUTE
 CONTACT RESISTANCE = 20 mΩ MAX
 INSULATION RESISTANCE = 1,000 MΩ MIN

MECHANICAL:
 INSERTION FORCE = 2.0N MAX
 WITHDRAWAL FORCE = 0.3N MIN

ENVIRONMENTAL:
 TEMPERATURE RANGE = -40° TO +105°

PACKING:
 TUBE

ORDER CODE:
M20-787XXX
 No. OF WAYS: 02 TO 40
 FINISH:
 42 - SELECTIVE GOLD + 100% TIN
 46 - 100% TIN

SM	8	08.03.11	11156
NAME	ISS.	DATE	C/NOTE
APPROVED: S. MCCULLAGH			
CHECKED: R. ADDE			
DRAWN: J. ENRIGHT			
CUSTOMER REF.:			
ASSEMBLY DRG:			

HARWIN

HARWIN USA TEL: 603 893 5376 FAX: 603 893 5396 mis@harwin.com	HARWIN Europe (UK) TEL: 023 9231 4545 FAX: 023 9231 4590 mis@harwin.co.uk	HARWIN Asia TEL: +65 6 779 4909 FAX: +65 6 779 3868 mis@harwin.com.sg
--	--	--

THIS DRAWING AND ANY INFORMATION OR DESCRIPTIVE MATTER SET OUT HEREON ARE CONFIDENTIAL AND COPYRIGHT PROPERTY OF THE HARWIN GROUP AND MUST NOT BE DISCLOSED, LOANED, COPIED OR USED FOR MANUFACTURING, TENDERING OR FOR ANY OTHER PURPOSE WITHOUT THEIR WRITTEN PERMISSION.

TOLERANCES
 X. = ±1mm
 X.X = ±0.25mm
 X.XX = ±0.10mm
 X.XXX = ±0.01mm
 ANGLES = ±5°
 UNLESS STATED

MATERIAL:
 SEE ABOVE
FINISH:
 SEE ABOVE
S/AREA:
 mm²

TITLE: 2.54mm PITCH DIL VERTICAL FEMALE SMT SKT ASSY DUAL ENTRY

DRAWING NUMBER:
M20-787XXX

SHT 2 OF 2