

Customer Information Sheet

DRAWING No.: M20-784XXXX

IF IN DOUBT - ASK

Ⓒ

NOT TO SCALE

THIRD ANGLE PROJECTION

ALL DIMENSIONS IN mm

ORDER CODE:

M20-784XXXX

No. OF WAYS

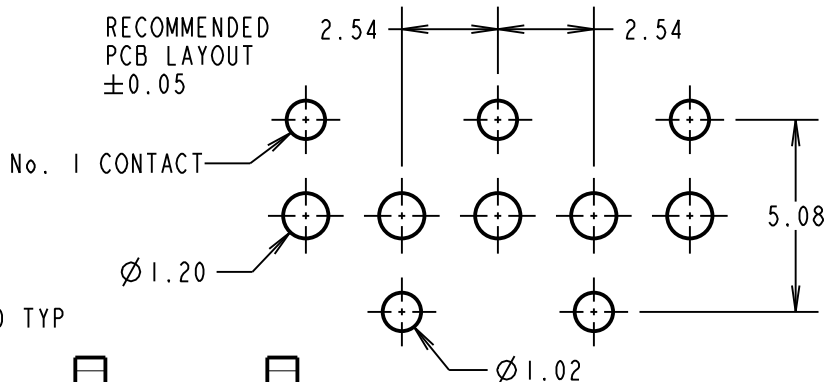
02 - 40

FINISH:

42 - SELECTIVE GOLD + 100% TIN

46 - 100% TIN

RECOMMENDED
PCB LAYOUT
±0.05



SPECIFICATION:

MATERIAL:

MOULDING = NYLON 6T UL94V-0, BLACK

CONTACTS = PHOSPHOR BRONZE

FINISH (OVER NICKEL):

42 = GOLD ON CONTACT AREA, 100% TIN ON TAILS

46 = 100% ALL OVER TIN

ELECTRICAL:

CURRENT RATING = 3A

VOLTAGE PROOF = 600V AC FOR 1 MINUTE

CONTACT RESISTANCE = 20mΩ MAX

INSULATION RESISTANCE = 1000MΩ MIN

MECHANICAL:

INSERTION FORCE = 2.0N MAX

WITHDRAWAL FORCE = 0.3N MAX

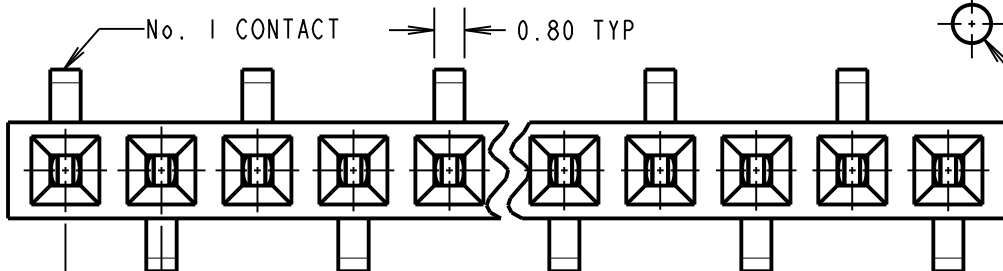
ENVIRONMENTAL:

TEMPERATURE RANGE = -40°C TO +105°C

PACKING:

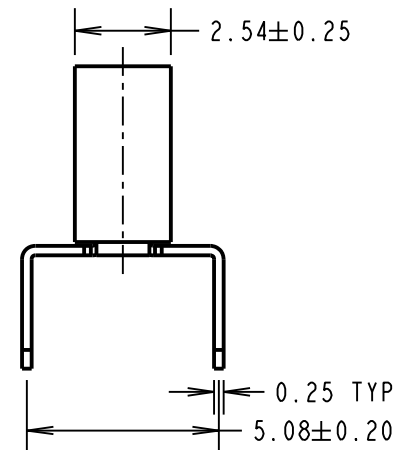
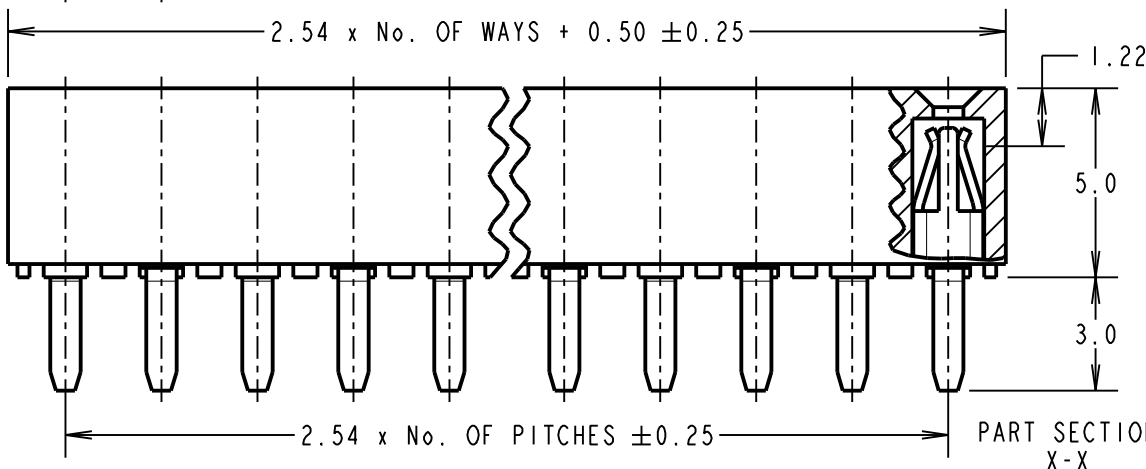
TUBE

FOR COMPLETE SPECIFICATION SEE COMPONENT SPECIFICATION C001XX (LATEST ISSUE)



NOTES:

1. THIS CONNECTOR CAN ALSO BE USED FOR TOP ENTRY.



SM	4	24.02.11	11156
NAME	ISS.	DATE	C/NOTE
APPROVED: S. MCCULLAGH			
CHECKED: M. G. PLESTED			
DRAWN: S. MCCULLAGH			
CUSTOMER REF.:			
ASSEMBLY DRG:			

HARWIN

HARWIN USA
TEL: 603 893 5376
FAX: 603 893 5396
mis@harwin.com

HARWIN Europe (UK)
TEL: 023 9231 4545
FAX: 023 9231 4590
mis@harwin.co.uk

HARWIN Asia
TEL: +65 6 779 4909
FAX: +65 6 779 3868
mis@harwin.com.sg

THIS DRAWING AND ANY INFORMATION OR DESCRIPTIVE MATTER SET OUT HEREON ARE CONFIDENTIAL AND COPYRIGHT PROPERTY OF THE HARWIN GROUP AND MUST NOT BE DISCLOSED, LOANED, COPIED OR USED FOR MANUFACTURING, TENDERING OR FOR ANY OTHER PURPOSE WITHOUT THEIR WRITTEN PERMISSION.

TOLERANCES
X. = ±1mm
X.X = ±0.25mm
X.XX = ±0.10mm
X.XXX = ±0.01mm
ANGLES = ±5°
UNLESS STATED

MATERIAL:

SEE ABOVE

FINISH:

SEE ABOVE

S/AREA:

mm²

TITLE:

2.54mm PITCH SIL PC TAIL
DUAL ENTRY SOCKET ASSY

DRAWING NUMBER:

M20-784XXXX

SHT
2 OF 2